

**PowerBoss®**  
The Power of Clean



# Parts Catalog

## Nautilus & Nautilus CE

### Rider Scrubber/Sweeper

Models: Cylindrical and Disc Units  
Diesel, Gasoline, & LPG

PowerBoss®, Minuteman International, Inc.  
A Member of the Hako Group

#988749 Rev. Z 01/25  
Effective Serial No. 24PB11250

## PREFACE

Thank you for your purchase of the new industry standard for scrubber/sweepers. PowerBoss® takes great pride in offering the most dependable, reliable and best value in industrial power scrubbers and sweepers. We set the standard.

Our Customer Service Department would like to hear from you. If you see any errors, omissions or something that needs clarification in this Parts Catalog please let us know. We are working hard towards continually improving our processes to bring you the best you deserve. Please copy the form below, fill out and comment on how you found our catalog.

Thank you!  
*The PowerBoss Team*

Name: \_\_\_\_\_

Title: \_\_\_\_\_

Company Name: \_\_\_\_\_

Address: \_\_\_\_\_

Country: \_\_\_\_\_

Type of equipment or model number: \_\_\_\_\_

Comments: \_\_\_\_\_

\_\_\_\_\_

\_\_\_\_\_

\_\_\_\_\_

Please return to:  
Customer Service Manager  
PowerBoss®, Minuteman International, Inc.  
14N845 U.S. Route 20  
Pingree Grove, Illinois 60140 USA

Phone: (800) 323-9420  
Email: [tech@powerboss.com](mailto:tech@powerboss.com)

This is the Parts Catalog for the PowerBoss® Nautilus Scrubber/Sweeper machine.

This catalog covers all Standard Nautilus machine variations beginning August 2015.

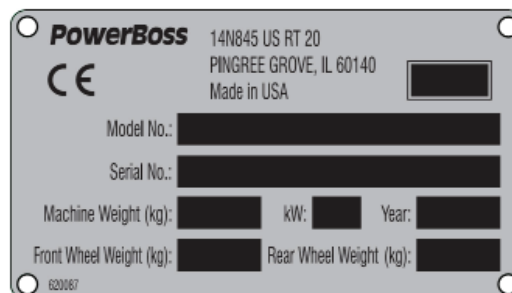
We believe this machine will provide excellent service for many years. Best results will be obtained if:

- The machine is operated with reasonable care.
- The machine is maintained regularly per the maintenance schedule provided in the User Manual.
- The machine is maintained with PowerBoss® supplied or equivalent parts.

All right side and left side references to the machine (except for engine) are determined by facing the direction of forward travel. The front of the engine or engine fan faces the front of the machine. Some hardware considered to be common or locally available has been omitted from the parts section to make this manual clear. Be sure to use equivalent hardware when replacement becomes necessary.

The Model and Serial Number of your machine is shown on the I.D. name plate. This information is needed when contacting Technical Support or when ordering parts. The I.D. plate is mounted on the left side wall of the operator seating area.

**Example I.D Plate:**



Parts may be ordered by phone, fax or e-mail from any PowerBoss® parts and service center. Before ordering parts or supplies, be sure to have your machine model number and serial number handy. For your convenience Fill out the data block below for future reference.

<b>MACHINE DATA</b> Fill out at installation	
Serial Number:	_____
Engine Serial Number:	_____
Sales Rep.:	_____
Date of Install:	_____

All information contained in this catalog is current at the time of printing. Minuteman International, Inc. reserves the right to make changes at any time without notice.

PowerBoss®, Minuteman International, Inc., Copyright 2014-2015, Printed in USA

**TABLE OF CONTENTS**

**PREFACE** ..... 2

**TECHNICAL SPECIFICATIONS** ..... 8

**PARTS AND CONSUMABLES** ..... 10

**PARTS BREAKDOWN** ..... 16

    FRAME GROUP (730100)..... 16

    BRAKE GROUP (730101)..... 18

    REAR WHEEL GROUP (730105) ..... 20

    FRONT WHEEL GROUP (730102) ..... 21

    STEERING FORK GROUP (730103) ..... 22

    CONSOLE GROUP (730152) ..... 24

    STEERING COLUMN GROUP (730104)..... 26

    INSTRUMENT PANEL GROUP - DIESEL (730108)..... 28

    INSTRUMENT PANEL GROUP - GAS (730107) ..... 30

    INSTRUMENT PANEL GROUP - LPG (730106) ..... 32

    INSTRUMENTATION GROUP (730109) ..... 34

    TIMER ASSEMBLY BOX (748438) ..... 36

    ELECTRICAL BOX GROUP - DIESEL (730156) ..... 38

    DIRECTIONAL CONTROL GROUP (730110) ..... 40

    PUMP LINKAGE GROUP (730111)..... 42

    CYLINDRICAL SCRUB HEAD GROUP (730112) ..... 44

    DISC SCRUB HEAD GROUP (730191)..... 46

    CYLINDRICAL SCRUB BRUSH LIFT GROUP (730113)..... 48

    DISC SCRUB BRUSH LIFT GROUP (730192) ..... 50

    DISC SCRUB HEAD SOLUTION CONTROL GROUP (730194)..... 52

    SCRUB BRUSH IDLER GROUP (730114) ..... 54

    BRUSH DOOR GROUP (730115) ..... 56

    SQUEEGEE LIFT GROUP (730119)..... 58

    CYLINDRICAL SQUEEGEE LINKAGE GROUP (730158) ..... 60

    DISC SQUEEGEE LINKAGE GROUP (730158-D)..... 62

    DISC SIDE SQUEEGEE MOUNT GROUP (730193)..... 64

    SQUEEGEE GROUP (730118)..... 66

    CYLINDRICAL SIDE SQUEEGEE GROUP - RH (730120)..... 68

    DISC SIDE SQUEEGEE GROUP - RH (730120-D) ..... 70

    CYLINDRICAL SIDE SQUEEGEE GROUP - LH (730157)..... 72

    DISC SIDE SQUEEGEE GROUP - LH (730157-D)..... 74



SOLUTION TANK GROUP (730121) .....	76
SOLUTION CONTROL GROUP (730123).....	78
RECOVERY TANK GROUP (730122) .....	80
RECOVERY TANK DRAIN GROUP (730179) .....	82
PLASTIC HOPPER GROUP (730173).....	84
HOPPER CRADLE GROUP (730174) .....	86
CYLINDRICAL REAR BUMPER GROUP (730125) .....	88
DISC REAR BUMPER GROUP (730125-D).....	90
REAR STEP GROUP (730055) .....	92
BUMPER LIFT GROUP (730159) .....	94
IMPELLER GROUP (730126) BEFORE SERIAL 22PB1655 .....	96
IMPELLER GROUP (770674) SERIAL 22PB1655 AND AFTER .....	98
IMPELLER HYDRAULIC MANIFOLD ASSEMBLY (730790-1) .....	100
HYDRAULIC RESERVOIR GROUP (730127) .....	102
HYDRAULIC PUMP GROUP (730136) BEFORE SERIAL 22PB1655 .....	104
HYDRAULIC PUMP GROUP (770675) SERIAL 22PB1655 AND AFTER.....	106
HYDRAULIC VALVE GROUP (730137) .....	108
HYDRAULIC MANIFOLD COMPONENTS GROUP (730170).....	110
ENGINE MOUNT GROUP - DIESEL (730128).....	112
ENGINE MOUNT GROUP - GAS (730164).....	114
ENGINE MOUNT GROUP - LPG (730163).....	116
AIR CLEANER GROUP - DIESEL (730131).....	118
AIR CLEANER GROUP - GAS (730129).....	120
AIR CLEANER GROUP - LPG (730130) .....	122
RADIATOR GROUP (730132) .....	124
RADIATOR OVERFLOW BOTTLE GROUP (730133) .....	126
OIL COOLER GROUP (730134) .....	128
EXHAUST GROUP - DIESEL (730154) .....	130
EXHAUST GROUP - GAS / LP (730178).....	132
FUEL TANK MOUNT GROUP - DIESEL (730140) .....	134
FUEL TANK MOUNT GROUP - GAS (730139) .....	136
CYLINDRICAL LPG TANK MOUNT GROUP (730138) .....	138
CE CYLINDRICAL LPG TANK MOUNT GROUP (730138-CE) .....	140
DISC LPG TANK MOUNT GROUP (730138-D).....	142
FUEL LINE GROUP - DIESEL (730153) .....	144
FUEL COMPONENT GROUP - GAS (730141).....	146
THROTTLE SOLENOID GROUP - DIESEL (730151) .....	148
BATTERY GROUP (730142).....	150

FRONT COVER GROUP (730143) .....	152
TOP COVER GROUP (730144) .....	154
SIDE DOOR GROUP (731914) .....	156
SEAT DOOR GROUP (731913) .....	158
SEAT MOUNT GROUP (730147) .....	160
CYLINDRICAL HYDRAULIC HOSE GROUP (730148) .....	162
DISC HYDRAULIC HOSE GROUP (730195) .....	164
HOSE CLAMP GROUP (730149) .....	166
DECAL GROUP (730150) .....	168
ELECTRICAL GROUP (730116) .....	170
BRUSH/BROOM GROUP (730175) .....	172
<b>OPTIONS - PARTS BREAKDOWN .....</b>	<b>174</b>
OPTION - SIDE BRUSH GROUP (730000) .....	174
OPTION - SIDE BRUSH LIFT GROUP (730001) .....	176
OPTION - SIDE BRUSH SOLUTION CONTROL GROUP (730002) .....	178
OPTION - SIDE BRUSH HYDRAULIC HOSE GROUP (730011) .....	180
OPTION - SIDE BRUSH SCRUB HEAD GROUP (730028) .....	182
OPTION - SIDE BRUSH STEERING COLUMN GROUP (730029) .....	183
OPTION - SSB HYDRAULIC MANIFOLD GROUP (730171) .....	184
OPTION - OVERHEAD GUARD GROUP (730003) .....	186
OPTION - SUSPENSION SEAT GROUP (730007) .....	188
OPTION - BACKUP ALARM GROUP (730008) STANDARD ON CE AND UK MODELS .....	190
OPTION - CHEMICAL METERING GROUP (730015) .....	192
OPTION - FIRE EXTINGUISHER GROUP (730016) .....	194
OPTION - AUTO FILL GROUP (730017) .....	196
OPTION - SPRAY AND VAC WAND TOOL GROUP (730021 - PART 1) .....	198
OPTION - SPRAY AND VAC WAND HOSE GROUP (730021 PART 2) .....	200
OPTION - SPRAY AND VAC WAND MOUNT GROUP (730022) .....	202
OPTION - SPRAY AND VAC WAND PUMP GROUP (730023) .....	204
OPTION - URETHANE SQUEEGEE BLADE GROUP (730024) .....	206
OPTION - URETHANE SIDE BRUSH SQUEEGEE GROUP (730025) .....	208
OPTION - STAINLESS STEEL HOPPER GROUP (730027) .....	210
OPTION - SEAT SWITCH (730031) STANDARD ON CE AND UK MODELS .....	212
OPTION - SIDE BROOM GROUP (730032) .....	214
OPTION - SIDE BROOM LIFT AND ADJUSTMENT GROUP (730033) .....	216
OPTION - SIDE BROOM HYDRAULIC HOSE GROUP (730034) .....	218

OPTION - SIDE BRUSH HYDRAULIC HOSE ROUTING (730038) .....	220
OPTION - SPRAY AND WASH GROUP (730040) .....	222
OPTION - PRESSURE WASHER PUMP GROUP (730041-1) .....	224
OPTION - PRESSURE WASHER HOSE AND WAND GROUP (730041-2) .....	226
OPTION - PRESSURE WASHER HYDRAULIC HOSE GROUP (730041-3) .....	228
OPTION - LOW LP INDICATOR GROUP (730042) .....	230
OPTION - SIDE BROOM WATER MIST GROUP (730043) .....	232
OPTION - REAR SQUEEGEE GUARD (730048) .....	234
OPTION - PVC FREE COMPONENTS (730049) .....	236
OPTION - TIE DOWNS (730026) .....	237
OPTION - FRONT WHEEL FENDER (730052) .....	238
OPTION - DRY SWEEP - PUMP (730053-1) .....	240
OPTION - DRY SWEEP - SKIRT (730053-2) .....	242
OPTION - DRY SWEEP - WATER MIST (730053-4) .....	244
OPTION - TGT, HEATED SOLUTION, LP (731507-A) .....	246
OPTION - TGT, HEATED SOLUTION, LP W/SIDE SCRUB (731995-A) .....	248
OPTION - TGT, HEATED SOLUTION, DSL (731522-A) .....	250
OPTION - TGT, HEATED SOLUTION, DSL W/SIDE SCRUB (731403-A) .....	252
OPTION - CONSTANT SOLUTION (731910) .....	254
ASSEMBLY - CONSTANT SOLUTION (731911) .....	256
OPTION - MAGNETIC SWEEPER BAR (731918) .....	258
OPTION - RESERVE LPG TANK GROUP (730160) .....	260
OPTION - BACKUP ALARM GROUP - CM, RESERVE LPG IN (730169) .....	262
OPTION - PRESSURE WASHER (731457) .....	264
OPTION - DUST SUPPRESSION (731482) .....	266
OPTION - LIGHT GROUPS (ON OVERHEAD GUARD) .....	268
OPTION - LIGHT GROUPS (ON SOLUTION TANK) .....	270
OPTION - LIGHT GROUPS WHEN CHEMICAL METERING AND RESERVE LPG TANK INSTALLED .....	272
MISCELLANEOUS ADDITIONAL OPTIONS .....	274
<b>LAYOUTS - ELECTRICAL/HYDRAULIC .....</b>	<b>276</b>
ELECTRICAL SCHEMATIC LAYOUT .....	276
ELECTRICAL SCHEMATIC LAYOUT (POINT TO POINT WIRING) .....	282
HYDRAULIC SYSTEM LAYOUT .....	288
HYDRAULIC SYSTEM LAYOUT WITH OPTIONAL SIDE SCRUB BRUSH .....	289
TIMER DIP-SWITCH SETTINGS .....	290

**TECHNICAL SPECIFICATIONS**

Model: Nautilus Rider Scrubber/Sweeper  
 Model No.: PB45DSL, PB45GAS, PB45LP  
 PB45DSLCE, PB45GASCE, PB45LPCE

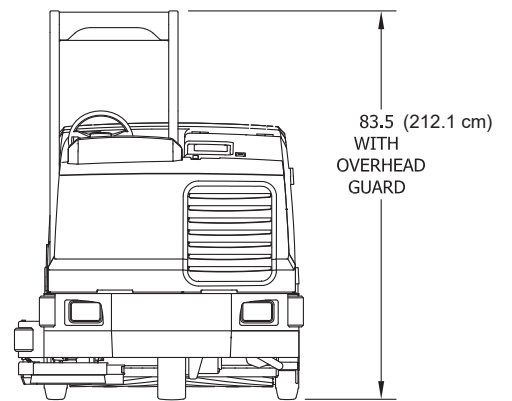
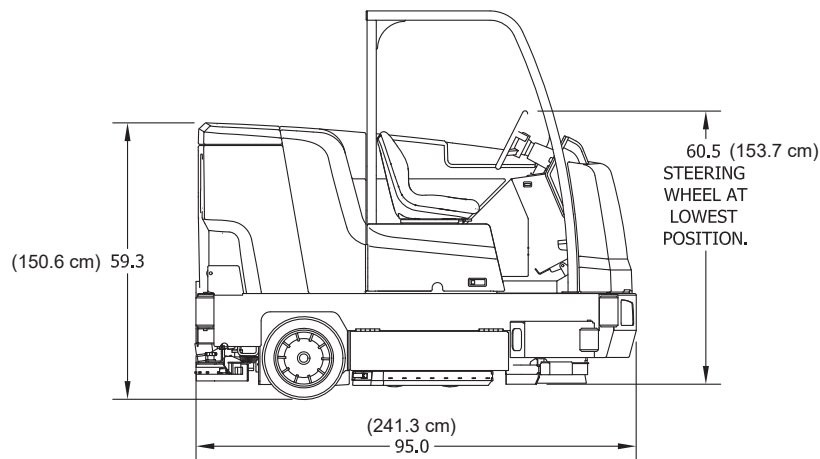
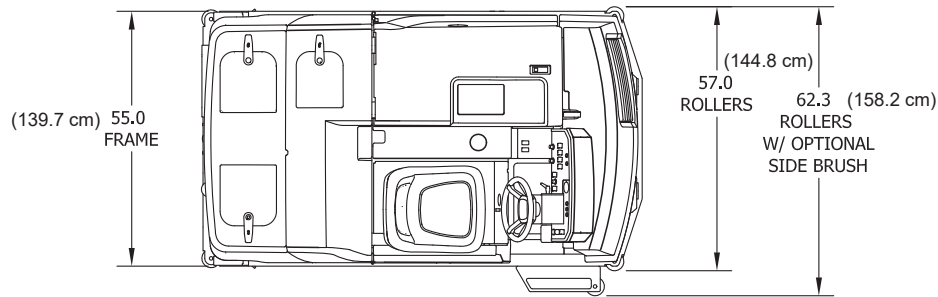
Nautilus CE Rider Scrubber/Sweeper  
 PB45DSL-D, PB45GAS-D, PB45LP-D  
 PB45DSLUK, PB45GASUK, PB45LPUK

**GENERAL MACHINE SPECIFICATIONS**

Length: . . . . . 95.0 in (241 cm)  
 Width with side scrub brush retracted: . . . . . 60.5 in (153 cm)  
 Width with side scrub brush extended: . . . . . 65.5 in (166 cm)  
 Height to lowest steering position: . . . . . 60.5 in (153 cm)  
 Height w/overhead guard: . . . . . 83.5 in (212 cm)  
 Wheelbase: . . . . . 47.75 in (121 cm)  
 Front tires (molded): . . . . . 16 in x 6 in (40 cm x 15 cm)  
 Rear tires (press on): . . . . . 18 in x 5 in (45 cm x 12 cm)  
 Aisle width U-turn: . . . . . 8 ft - 11.7 in (274 cm)  
 Weight (Diesel engine) . . . . . 4,047 lb (1836 kg)  
 Weight (Gas & LPG engines) . . . . . 4,027 lb (1826 kg)  
 Maximum forward speed: . . . . . 7.7 mph (12,4 km/h)  
 Maximum reverse speed: . . . . . 4.0 mph (6,4 km/h)  
 Maximum climb angle (Traveling): . . . . . 10 deg. (17% grade)  
 Maximum climb angle (Scrubbing): . . . . . 8 deg. (14% grade)

**SCRUBBING SYSTEM**

Cleaning path (main brushes) . . . . . 45 in (114 cm)  
 Cleaning path (w/optional side brush) . . . . . 60 in (152 cm)  
 Main cylindrical brush diameter: . . . . . 12 in (30 cm)  
 Main cylindrical brush length: . . . . . 45 in (114 cm)  
 Main cylindrical brush speed: . . . . . 425 RPM  
 Main cylindrical brush force: . . . . . 200 lb - 400 lb (90 kg - 181 kg)  
 Main disc brush diameter . . . . . 14 in (35 cm)  
 Main disc speed . . . . . 220 RPM  
 Side scrub brush diameter: . . . . . 16 in (40 cm)  
 Side scrub brush speed: . . . . . 200 RPM  
 Solution Tank capacity: . . . . . 105 gal (397 L)  
 Recovery Tank capacity: . . . . . 105 gal (397 L)  
 Demister chamber capacity: . . . . . 17 gal (64 L)  
 (2)Debris trays, total capacity: . . . . . 2.1 ft³ (0,06 m³)  
 Vacuum fan speed: . . . . . 11,500 RPM  
 Vacuum water lift: . . . . . 35 in (88 cm)



dimensions shown in inches (cm)

## NAUTILUS Sweeper Scrubber

### PARTS and CONSUMABLES



SERIAL NUMBER # \_\_\_\_\_

DATE of DELIVERY \_\_\_\_\_

## Common Wear Parts

### Cylindrical Scrub Brushes 45" Proprietary Hub (PH) Post S/N #18PB1783

PART DESCRIPTION	QUANTITY NEEDED	SURFACE/ APPLICATION TYPE	PART NUMBER
PH - (Standard) 180 Grit Bristle Blue Brush	2	All Purpose/Concrete Floors	731588-PH
PH - Heavy Duty 50/80 Abrasive Bristle Black Brush	2	Heavy Duty/Concrete Floors	731296-PH
PH - Super Abrasive 70/46 Abrasive Bristle Orange Brush	2	Super Abrasive/Severe Environment	731297-PH
PH - Medium Duty All Poly Stiff No Grit Black Brush	2	Medium Duty/Non Scuff	731295-PH
PH - Light Duty All Poly Soft No Grit Black Brush	2	Coated Floors/Light Duty	731308-PH
PH - Heavy Duty All Nylon No Grit White Brush	2	Outdoor/Chemical Resistant	731090-PH

### Cylindrical Scrub Brushes 45" Standard Hub Pre S/N #18PB1782

(Standard) 180 Grit Bristle Blue Brush	2	All Purpose/Concrete Floors	731588
Heavy Duty 50/80 Abrasive Bristle Black Brush	2	Heavy Duty/Concrete Floors	731296
Super Abrasive 70/46 Abrasive Bristle Orange Brush	2	Super Abrasive/Severe Environment	731297
Medium Duty All Poly Stiff No Grit Black Brush	2	Medium Duty/Non Scuff	731295
Light Duty All Poly Soft No Grit Black Brush	2	Coated Floors/Light Duty	731308
Heavy Duty All Nylon No Grit White Brush	2	Outdoor/Chemical Resistant	731090

### Hubs and Inserts

Insert to Convert Standard Brush to PH	2	N/A	731330
New Hub Replacement Style to Fit PH Brushes	2	N/A	731304-1

### Side Scrubbing Brush 16" Disc (pre-configured option)

(Standard) Mid Grit Light Gray Brush	1	All Purpose/Concrete Floors	3332545
Heavy Duty 120 Grit Brown Brush	1	Heavy Duty/Concrete Floors	3315385
Super Abrasive 80 Grit Green Brush	1	Severe Environment/Concrete	3313126
Light Duty Nylon No Grit Black Brush	1	Coated Floors/Light Duty	3313136

## NAUTILUS Sweeper Scrubber

### PARTS and CONSUMABLES



## Common Wear Parts

*Continued*

	PART DESCRIPTION	QUANTITY NEEDED	SURFACE/ APPLICATION TYPE	PART NUMBER
<b>Side Sweep Brush 20"</b> (pre-configured DRY Sweep only)	Polypropylene Black (sweeping style)	1	All Surfaces Dry Sweeping	731274
	<b>Squeegee Blades</b>			
	Front Linatex (standard) 4 sided red	1	High Wear/Chemical Resistant	730787
	Rear Linatex (standard) 4 sided red	1	High Wear/Chemical Resistant	730788
	Side Linatex (standard) 4 sided red	2	High Wear/Chemical Resistant	730644
	Front Primothane 4 sided blue	1	High Wear/Oil Resistant	731101
	Rear Primothane 4 sided blue	1	High Wear/Oil Resistant	731102
	Side Primothane 4 sided blue	2	High Wear/Oil Resistant	731103
<b>Approved List of Detergents</b> (for lifetime vacuum system warranty)	Tough Green 55 Gallons	1	Neutral pH, Environmentally Responsible	903977
	Tough Green 5 Gallons Neutral pH	1	Neutral pH, Environmentally Responsible	903975
	Fury 55 Gallons HD Non Corrosive Degreaser	1	Non Corrosive, Biodegradable	910597
	Fury 5 Gallon Non Corrosive Degreaser	1	Non Corrosive, Biodegradable	910595
	Citrus Assault 55 Gallons	1	Citrus Based, Multi Use	910477
	Citrus Assault 5 Gallons	1	Citrus Based, Multi Use	910475
	<b>Tire Mark Remover</b>			
Pre-spray only, not to be added to scrubber	Mastery dL 55 Gallons	1	Solvent Based, Natural d-Limonene Solvent Based	906977
	Mastery dL 1 Gallon	1	Solvent Based, Natural d-Limonene Solvent Based	906973



## NAUTILUS Sweeper Scrubber

### PARTS and CONSUMABLES



## Common Wear Parts

*Continued*

#### Engine/Hydraulic Maintenance

PART DESCRIPTION	QUANTITY NEEDED	SURFACE/ APPLICATION TYPE	PART NUMBER
Element Air Cleaner (Primary)	1	N/A	3321143
Engine Air Filter (Safety Element)	1	N/A	3322572
Kubota Oil Filter (1605 Gas/LP)	1	N/A	3344840
Kubota Oil Filter (1505 Diesel)	1	N/A	3324129
Kubota Engine Fuel Filter (1605 Gas/LP)	1	N/A	3342209
Kubota Engine Fuel Filter (1505 Diesel)	1	N/A	3303324
Hydraulic Tank Filter Element	1	N/A	600182

#### Replacement Safety Options

Flashing Amber Light	1	N/A	620073
Mounting Bracket (engine cover)	1	N/A	731030
Back-Up Alarm	1	N/A	3303002
Fire Extinguisher with mount	1	N/A	3302769
Seat Belt - Orange	1	N/A	620192
Headlight Replacement	2	N/A	681044
Headlight Bulb Halogen	2	N/A	681045

## General Maintenance

PART DESCRIPTION	QUANTITY NEEDED	SURFACE/ APPLICATION TYPE	PART NUMBER
Replacement Keys (Set of 2)	1	N/A	3322562
Key Switch	1	N/A	3316100
Front Tire (on rim)	1	N/A	3316330
Rear Tires (on rim)	2	N/A	731420
Scrub Head Skirt	1	N/A	730982
Squeegee Caster	2	N/A	3343816
Rear Squeegee Retainer Metal	1	N/A	730787
Front Squeegee Retainer Metal	1	N/A	730796
Side Squeegee Retainer Metal (Drivers Side)	1	N/A	730650

## NAUTILUS Sweeper Scrubber

### PARTS and CONSUMABLES



## General Maintenance

*Continued*

PART DESCRIPTION	QUANTITY NEEDED	SURFACE/ APPLICATION TYPE	PART NUMBER
Side Squeegee Retainer Metal (left)	1	N/A	730651
Side Brush Squeegee Retainer Metal (Side Scrub)	1	N/A	730938
Squeegee Rubber Washers (Break-Away)	2	N/A	730992
Squeegee Knobs	2	N/A	3343814
Squeegee Extension Spring	2	N/A	730742
Lower Vacuum Hose Assembly	1	N/A	730985
Upper Vacuum Hose Assembly	1	N/A	730984
Solution Tank Drain Hose	1	N/A	730987
Recovery Tank Drain Hose	1	N/A	731533
Expansion Plug for Recovery Tank Drain Hose	1	N/A	3336089
Solution Filter Cap	1	N/A	332351
Solution Valve Solenoid	2	N/A	730987
Recovery Tank Replacement Seal	2	N/A	730505
Horn Switch with Harness	1	N/A	749073
Standard Seat	1	N/A	620219
Suspension Seat	1	N/A	620191
Radiator Overflow Bottle	1	N/A	3318752
Battery (cranking) Replacement	1	N/A	3300440
Fuel Tank Cap (Gasoline or Diesel)	1	N/A	3343413
Rocker Switch Cover - Green	1	N/A	3344038
Rocker Switch Cover	5	N/A	3342273
Whisker Switch	1	N/A	3342546
Hydraulic Propulsion Pump	1	N/A	600215
Hydraulic Auxiliary Pump	1	N/A	730310
Front Drive Wheel Motor	1	N/A	3305108
Impeller Motor	1	N/A	730470
Drive Motor Seal Kit	1	N/A	3303953

## NAUTILUS Sweeper Scrubber

### PARTS and CONSUMABLES

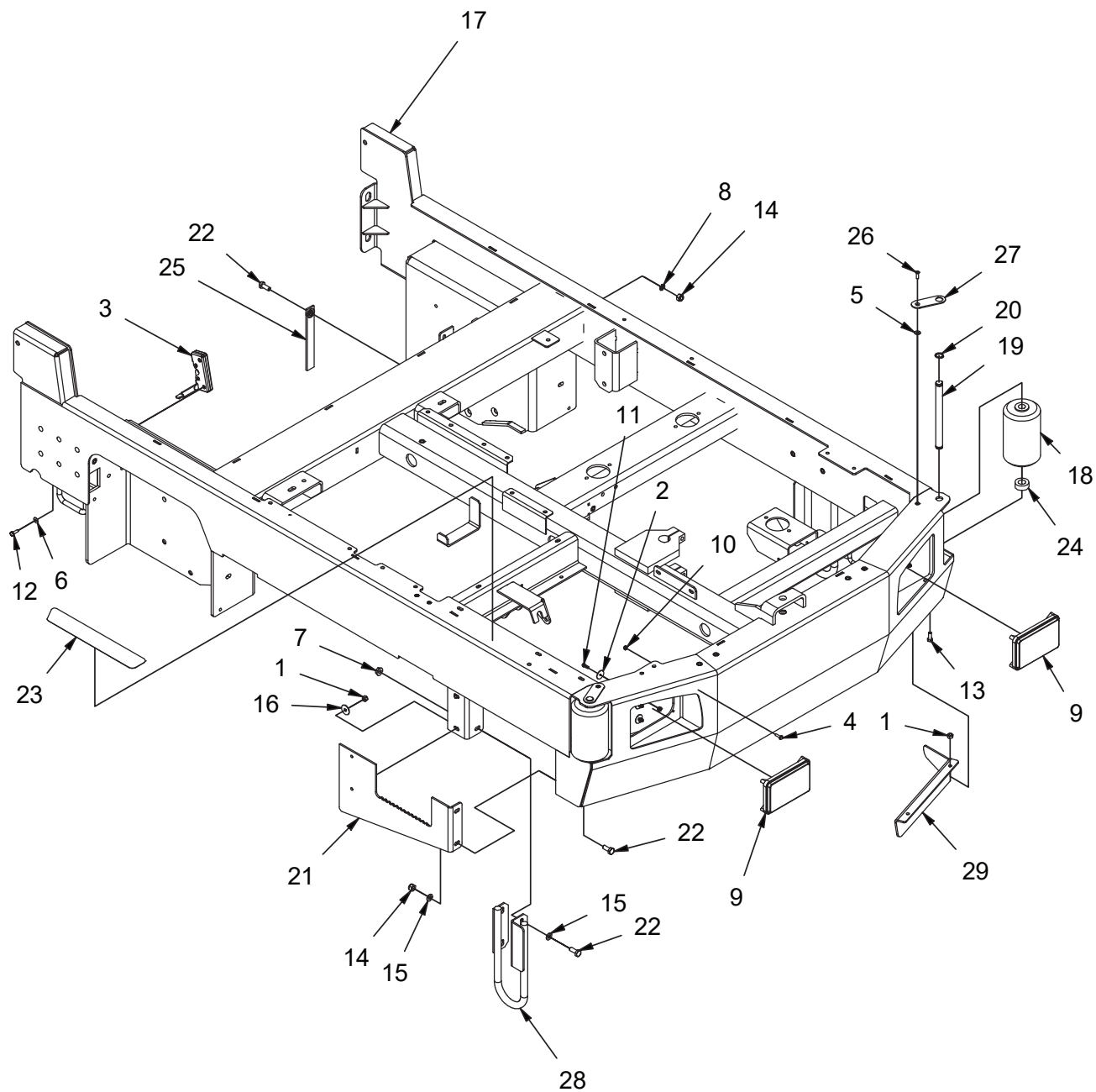


## General Maintenance

PART DESCRIPTION	QUANTITY NEEDED	SURFACE/ APPLICATION TYPE	PART NUMBER
Steering Cylinder	1	N/A	730307
Power Steering Unit	1	N/A	600368
Main Scrub Brush Motor	2	N/A	730343
Side Brush Motor	1	N/A	730892
Scrub Deck Cylinder Lift	1	N/A	730548
Squeegee Cylinder Lift	1	N/A	600106
Radiator Deflector (New Style)	1	N/A	731861
Tow Rings	3	N/A	731566
Brake Assembly	2	N/A	730316



## PARTS BREAKDOWN FRAME GROUP (730100)

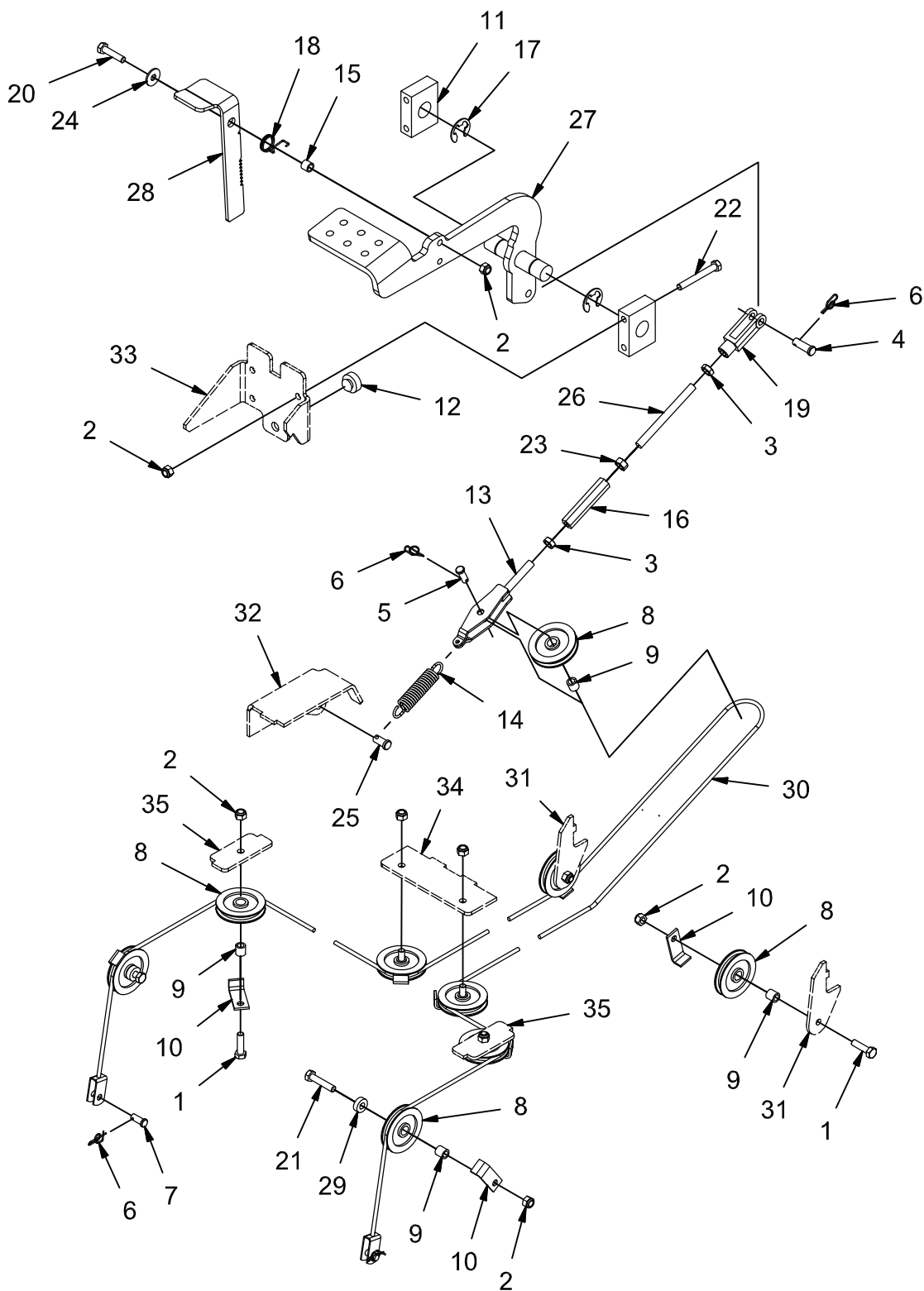


REV N

**FRAME GROUP (730100)**

<b>Parts List - 730100</b>			
<b>ITEM</b>	<b>PART NO.</b>	<b>QTY</b>	<b>DESCRIPTION</b>
1	12040259	4	NUT-NYLOC M8 X 1.25 SS
2	711599	8	WASHER-FLAT .187 X 1.00 X .06
3	3307247	1	LATCH-RH BROOM DOOR SW/A
4	3400044	1	SCR-HH 10-32 X .75 ZP SERR FLANGE
5	711505	2	WASHER-FLAT 1/4 ZP
6	3400383	4	WASHER-CONICAL SPRING 1/4
7	600936	4	NUT-FLANGE WIZZ M10-1.50 ZP CLASS 8
8	711555	1	WASHER-INT LOCK 3/8 ZP
9	691001-1	2	HEADLIGHT ASSY, 4X6 LED WITH DRL
10	711350	1	NUT-NYLOC 10-32 ZP
11	712167	8	SCR-HH M4-0.7 X 16 THREAD FORMING
12	712562	4	SCR-HH 1/4-20 X .75, 18-8 SS
13	717030	2	SCR-HH M8-1.25 X 20 SS
14	730339	3	NUT-NYLOC M10-1.50 SS
15	730344	6	WASHER-FLAT M10 SS
16	730526	2	WASHER-FENDER M8 X 24 SS
17	730550-1	1	ASSEMBLY, FRAME
18	730719	2	ROLLER
19	730876	2	PIN, ROLLER
20	730877	2	RET RING-EXT .750
21	730919	1	COVER ASSY
22	730958	7	SCR-HH M10-1.50 X 25 SS FULL THREAD
23	3335609	1	PAD-FOOT PEDAL, ANTI-SKID, 2" X 9.5"
24	730975	2	SPACER, .813 B 1.50 OD .56 T
25	730979	1	STRAP, STATIC
26	731382	2	SCR-FHSCS M6-1.00 X 20 ZP
27	731388	2	RETAINER, ROLLER PIN
28	731509	1	WELDMENT, RIGHT GUARD
29	731559	1	GUARD, EXHAUST

## BRAKE GROUP (730101)



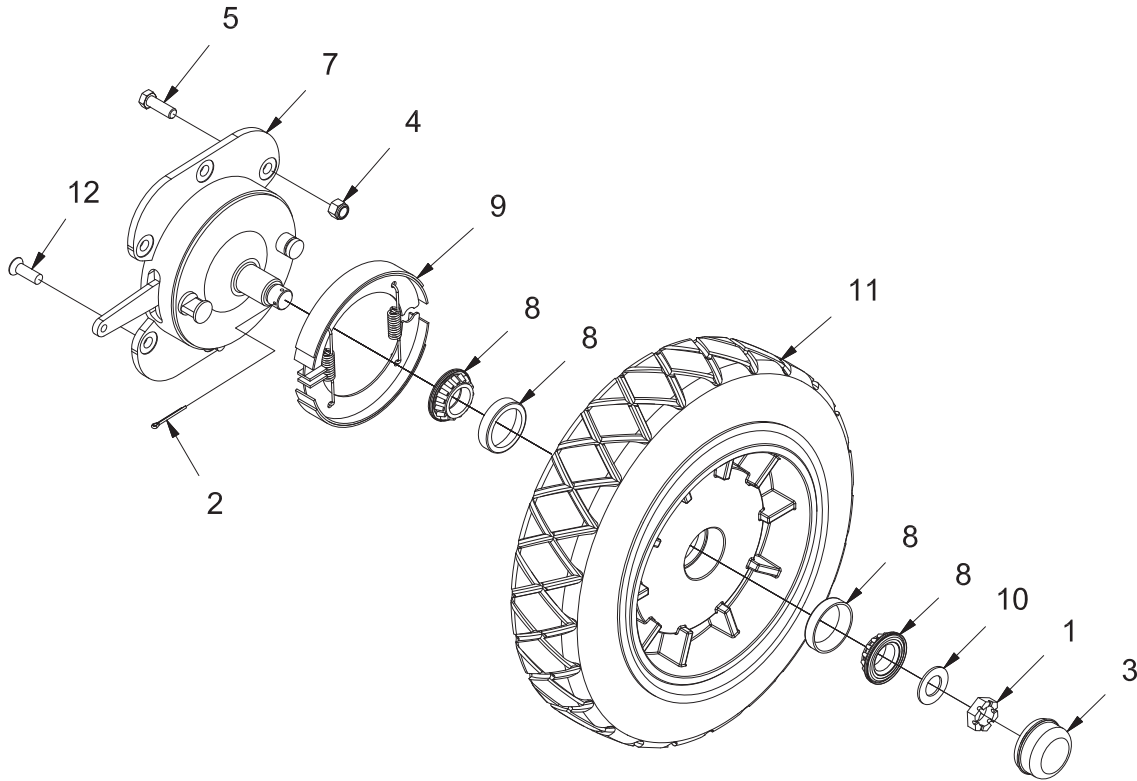
REV \*



**BRAKE GROUP (730101)**

<b>Parts List - 730101</b>			
<b>ITEM</b>	<b>PART NO.</b>	<b>QTY</b>	<b>DESCRIPTION</b>
1	11038254	6	BOLT, M8-125 X 30 HH
2	12040051	13	NUT, M8-1.25 ESN
3	3400075	2	NUT, HEX JAM 3/8-24
4	3400117	1	PIN, CLEVIS 3/8 X 1.125
5	3400118	1	PIN, CLEVIS, .313 X .88
6	3400125	4	RUE-RING, .375
7	450034	2	PIN, CLEVIS, .313 X .75
8	600113	9	PULLEY, .50 B, 2.00 D, .44 T
9	600114	9	SPACER, .328 B .498 OD .500 T
10	600115	8	RETAINER, CABLE
11	600116	2	BLOCK, BRAKE PIVOT
12	600117	1	BUMPER, 1.00 X .339 T
13	600121	1	CLEVIS, BRAKE PULLEY
14	600127	1	SPRING, EXT, .105 W .75 OD 3.50 L
15	600315	1	SPACER, .344 B .485 OD .425 T
16	600338	1	TURNBUCKLE, .375
17	600570	2	E-RING, .88
18	600809	1	SPRING, TORSION
19	600813	1	CLEVIS, 3/8-24
20	600918	1	BOLT, M8-125 X 35 HH
21	600919	2	BOLT, M8-1.25 X 40 HH
22	600921	4	BOLT, M8-1.25 X 65 HH
23	600938	1	NUT, 3/8-24 LH
24	600940	1	WASHER, M8 FENDER
25	711679	1	PIN, CLEVIS, .375 X .75
26	730369	1	ROD, BRAKE ADJ
27	730370	1	WELDMENT, BRAKE PEDAL
28	730372	1	PEDAL, PARKING BRAKE
29	730374	2	SPACER, .344 ID .75 OD .25 T
30	730375	1	CABLE, BRAKE
31	REFERENCE	1	FRAME
32	REFERENCE	1	FRAME
33	REFERENCE	1	CONSOLE
34	REFERENCE	1	FRAME
35	REFERENCE	1	FRAME

**REAR WHEEL GROUP (730105)**

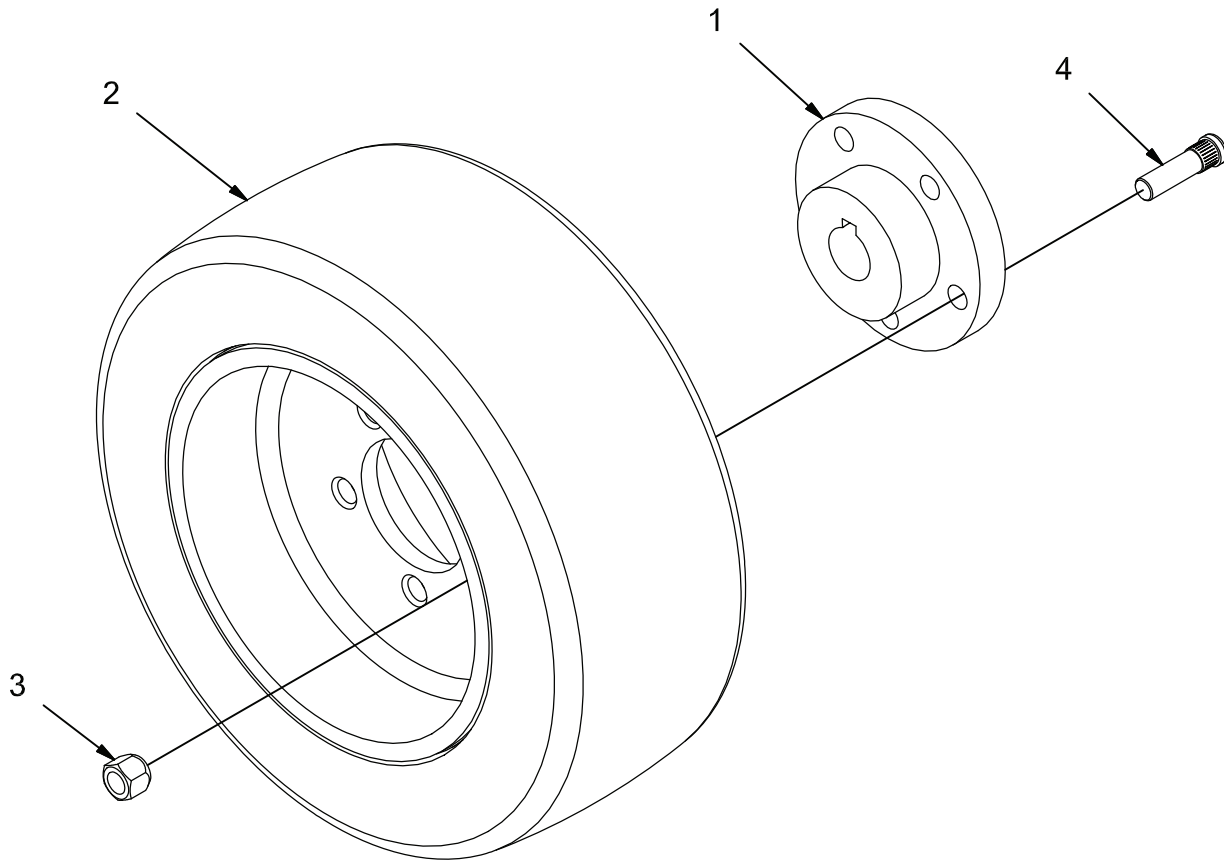


**Parts List - 730105**

ITEM	PART NO.	QTY	DESCRIPTION
1	3400223	2	NUT-HEX SLOTTED 1-20
2	380-632-20	2	PIN-COTTER 3/16 X 1.250 ZP
3	383250	2	GREASE CAP SPINDLE
4	711376	12	NUT-NYLOC 1/2-13 ZP
5	712047	6	SCR-HH 1/2-13 X 1.50 ZP GR 5
7	730316	2	ASSEMBLY, BRAKE-AXLE
8	730353	4	BEARING, CONE, INNER & OUTER
9	730357		BRAKE SHOE REPLACEMENT KIT
10	730358	2	SPACER, 1.06 B, 1.75 OD, .105 T
11	731157	2	ASSEMBLY, TIRE AND RIM
12	731100	6	SCR-FHSCS 1/2-13 X 1.50 ZP

REV \*

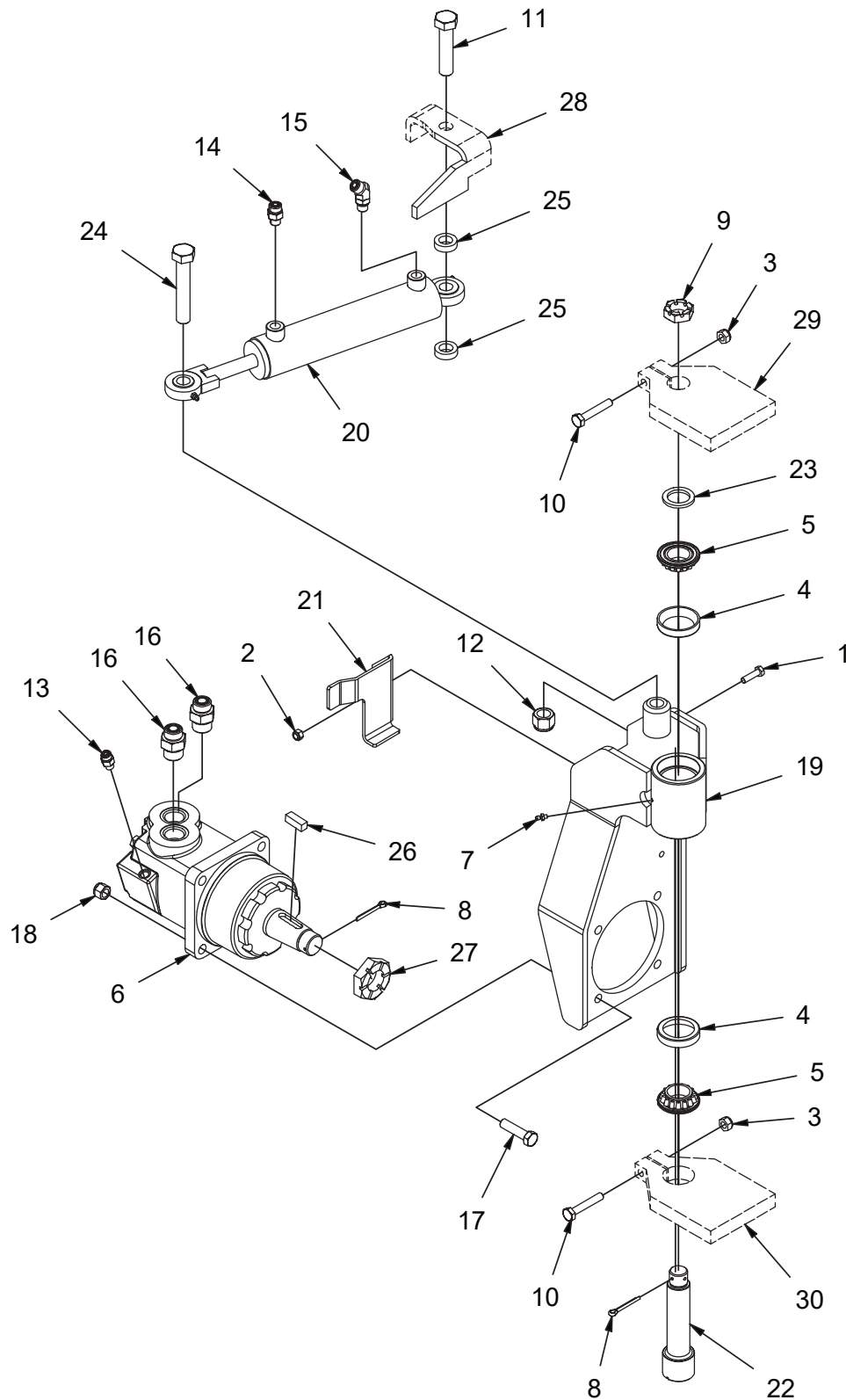
**FRONT WHEEL GROUP (730102)**



Parts List - 730102			
ITEM	PART NO.	QTY	DESCRIPTION
1	3316056	1	HUB, REAR WHEEL PNTD FULL
2	3316330	1	ASSEMBLY, TIRE AND RIM 16" PRESS-ON
3	3316057	5	NUT, LUG, 9/16-18
4	713526	5	STUD, WHEEL

**REV A**

## STEERING FORK GROUP (730103)

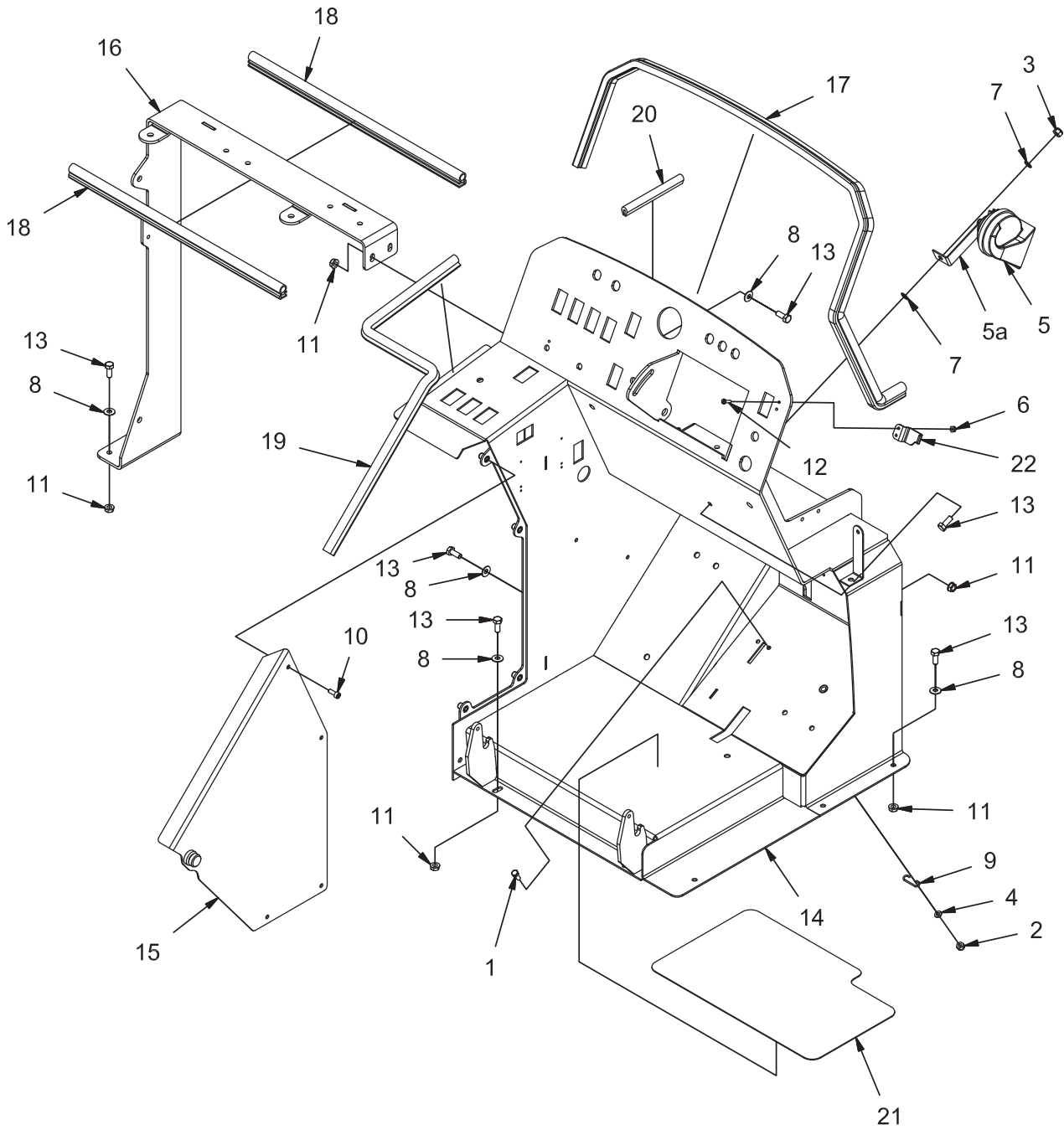


REV E

**STEERING FORK GROUP (730103)**

<b>Parts List - 730103</b>			
<b>ITEM</b>	<b>PART NO.</b>	<b>QTY</b>	<b>DESCRIPTION</b>
1	11038254	1	SCR-HH M8-1.25 X 30 ZP CLASS 8.8
2	12040051	1	NUT-NYLOC M8 X 1.25 ZP CLASS 8
3	12040069	2	NUT-NYLOC M10 X 1.5 ZD CLASS 6
4	3300470	2	BEARING-TAPERED ROL CUP
5	3300471	2	BEARING-TAPERED ROLCONE W/SEAL
6	3305108	1	MOTOR-HYD 4000 SERIES PNTD(SP)
7	3400012	3	FTG-GREASE 3/16
8	3400120	2	PIN-COTTER 5/32 X 2.00 ZP
9	3400223	1	NUT-HEX SLOTTED 1-20
10	600925	2	SCR-HH M10-1.5 X 60 ZP CLASS 8.8
11	600932	1	SCR-HH 3/4-10 X 3.25 ZP GR 5
12	620059	1	NUT-NYLOC 3/4-10 ZP
13	675508	1	FTG-ORFS STR THD -4 -4 SAE
14	675515	1	FTG-ORFS STR THD -6 -6 SAE
15	675552	1	FTG-ORFS 45 ELBOW -6 -6 SAE
16	675578	2	FTG-ORFS STR THD -10 -12 SAE
17	713608	4	SCR-HH 1/2-13 X 2.00 EG GR 8
18	713614	4	NUT-NYLOC 1/2-13 ZP GR8
19	730300	1	WELDMENT, STEERING FORK
20	730307	1	CYLINDER-STEERING
21	730312	1	RETAINER, HOSE BLK
22	730351	1	PIN, PIVOT
23	730352	1	SPACER, 1.255 B, 1.75 OD, .166 T
24	731426	1	SCR-HH 3/4-10 X 4.25 ZP GR 8
25	731427	2	SPACER, 0.766 ID 1.25 OD, 0.375 T
26	PART OF 3305108	1	KEY, .44 SQ X 1.25
27	PART OF 3305108	1	NUT, 1.25-18
28	REFERENCE	1	FRAME
29	REFERENCE	1	FRAME
30	REFERENCE	1	FRAME

## CONSOLE GROUP (730152)



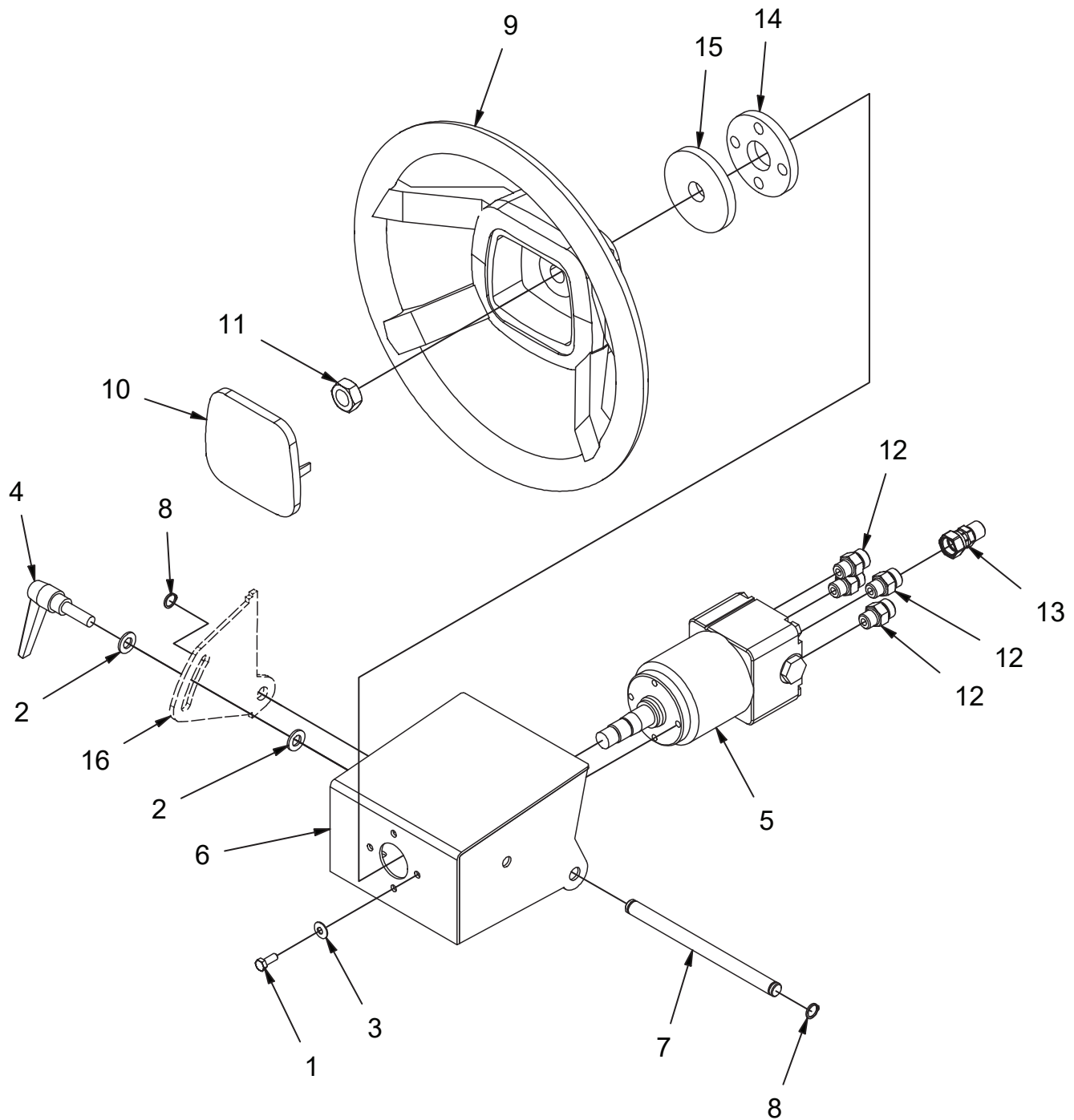
REV L

**CONSOLE GROUP (730152)**

<b>Parts List - 730152</b>			
<b>ITEM</b>	<b>PART NO.</b>	<b>QTY</b>	<b>DESCRIPTION</b>
1	11038072	2	BOLT, M6-1.00 X 16 HH
2	12040044	2	NUT, M6-1.00 ESN
3	12040259	1	NUT, M8-1.25 ESN SS
4	12310033	2	WASHER, M6
5	3300379	1	HORN, 12V
5a	704202	1	HORN BRACKET
6	711372	2	NUT-NYLOC 8-32 ZP
7	3400273	2	WASHER, STAR, .31, INT. ZP
8	3400384	11	WASHER, 5/16 BELLEVILLE
9	600125	1	CATCH, PARKING BRAKE
10	600912	4	BOLT, M6-1.00 X 16 SHCS
11	600934	11	NUT, M8-1.25 FLNG
12	710230	2	SCR-PHMS 8-32 X .62 ZP
13	717024	12	BOLT, M8-1.25 X 20 HH
14	730376-1	1	ASSEMBLY, CONSOLE
15	730396	1	WELDMENT, CONSOLE COVER
16	730401	1	WELDMENT, COVER FRAME
17	730536	1	SEAL, BULB, 50.50 LG
18	730537	2	SEAL, BULB, 19.50 LG
19	730538	1	SEAL, BULB, 14.00 LG
20	730543	1	EDGING, 1/8 X 5.25"
21	730988	1	PAD, FLOOR
22	731435	1	CONSOLE, STRIKER



## STEERING COLUMN GROUP (730104)

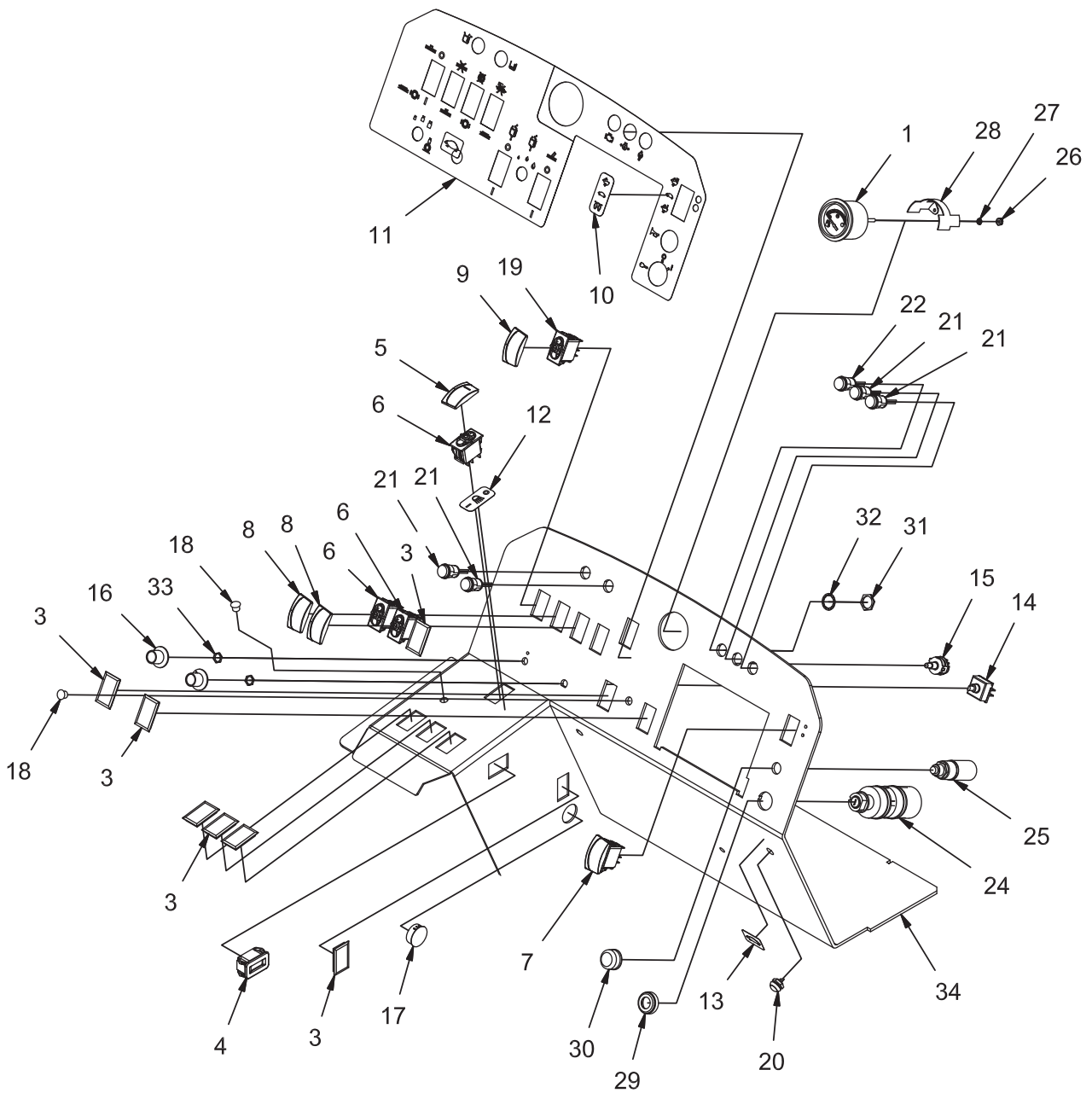


REV D

**STEERING COLUMN GROUP (730104)**

<b>Parts List - 730104</b>			
<b>ITEM</b>	<b>PART NO.</b>	<b>QTY</b>	<b>DESCRIPTION</b>
1	11038072	4	BOLT, M6-1.00 X 16 HH
2	12310058	2	WASHER, M10
3	3400383	4	WASHER-CONICAL SPRING 1/4
4	600260	1	KNOB LEVER
5	600368	1	STEERING UNIT
6	600465	1	WELDMENT STEERING MNT, DG
7	600516	1	SHAFT ROLLER, ZP
8	600569	2	RET RING-EXT .50 HD
9	610000	1	STEERING WHEEL, POWERBOSS
10	610001	1	STEERING WHEEL CAP, POWERBOSS
	610003	1	STEERING WHEEL KNOB - NOT SHOWN
11	620057	1	NUT-JAM M16 X 1.50 ZP
12	675515	4	FTG-ORFS STR THD -6 -6 SAE
13	675636	1	FTG-ORFS ORIFICE .078 #6
14	690152	1	DUST RING, STEERING
15	690160	1	DUST RING, STEERING, UPPER
16	REFERENCE	1	FRAME

**INSTRUMENT PANEL GROUP - DIESEL (730108)**

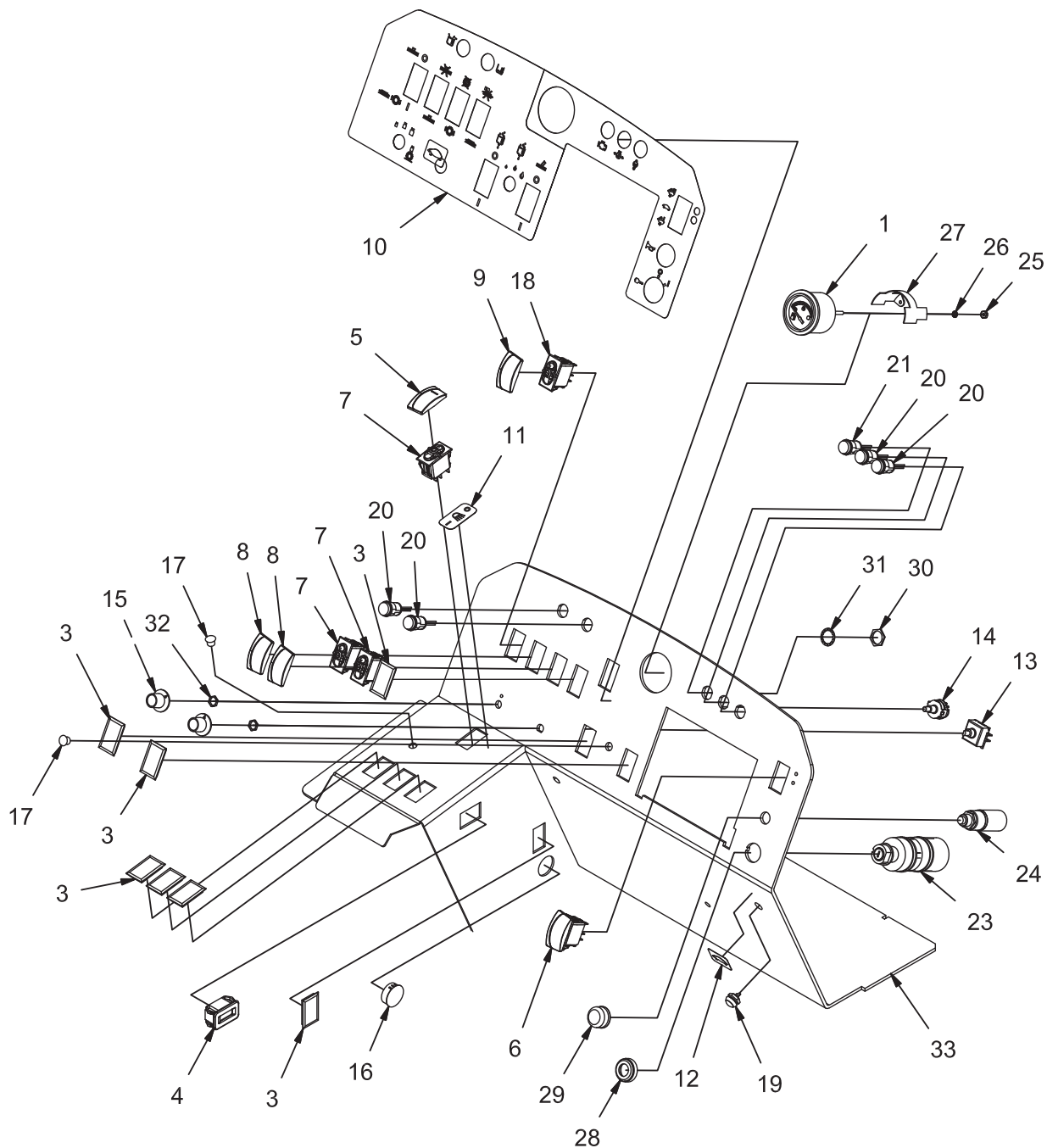


**REV J**

**INSTRUMENT PANEL GROUP - DIESEL (730108)**

Parts List - 730108			
ITEM	PART NO.	QTY	DESCRIPTION
1	3300382	1	GAUGE-FUEL, 2" DIA, 12V
2	3301345-1	1	WIRE ASSY, LIGHT INST GAUGE (NOT SHOWN)
3	3323529	7	PLUG-CARLING CONTURA SWITCH
4	3336094	1	GAUGE-HOURMETER DIGITAL SNAP-IN 8-32VDC
5	3342273	1	COVER-SWITCH, CARLING, BLACK W/LENS
6	3342705	3	SWITCH-BASE, DPST CONTURA ROCKER
7	3343912	1	SW-ROCKER CONTURA DPDT ON-OFF
8	3344038	2	COVER-SWITCH ROCKER BLACK NO LENS
9	3344039	1	COVER-SWITCH ROCKER GREEN NO LENS
10	715956	1	DECAL, DIESEL IGNITION
11	715957	1	DECAL, INSTRUMENT PANEL
12	715973	1	DECAL, LIGHTS
13	715974	1	DECAL, IDLE
14	730850	1	SWITCH, ROTARY, 3 WAY
15	730989-1	1	SWITCH WIRE ASSY, ROTARY 3-POS
16	731187	2	KNOB
17	731393	1	HOLE PLUG, 1 1/8 IN
18	742749	2	CIRCUIT BREAKER, HOLE PLUG
19	748761	1	SWITCH, TOGGLE DPDT ON/ON
20	748791-1	1	WIRE ASSY, PUSHBUTTON SWITCH
21	748995	4	LIGHT ASSY, INDICATOR RED - LED
22	748996	1	LIGHT ASSY, INDICATOR AMBER - LED
23	748998	1	FUEL GAUGE HARNESS (NOT SHOWN)
24	749072	1	SWITCH, IGNITION W/HARNESS
25	749073	1	SWITCH, HORN W/HARNESS
26	PART OF 3300382	2	NUT
27	PART OF 3300382	2	LOCKWASHER
28	PART OF 3300382	1	RETAINER, GAUGE
29	PART OF 749072	1	NUT, KEYSWITCH
30	PART OF 749073	1	CAP, SWITCH
31	PART OF LED	5	NUT
32	PART OF LED	5	LOCKWASHER
33	PART OF ROTARY SWITCH	2	NUT
34	REFERENCE	1	CONSOLE

## INSTRUMENT PANEL GROUP - GAS (730107)

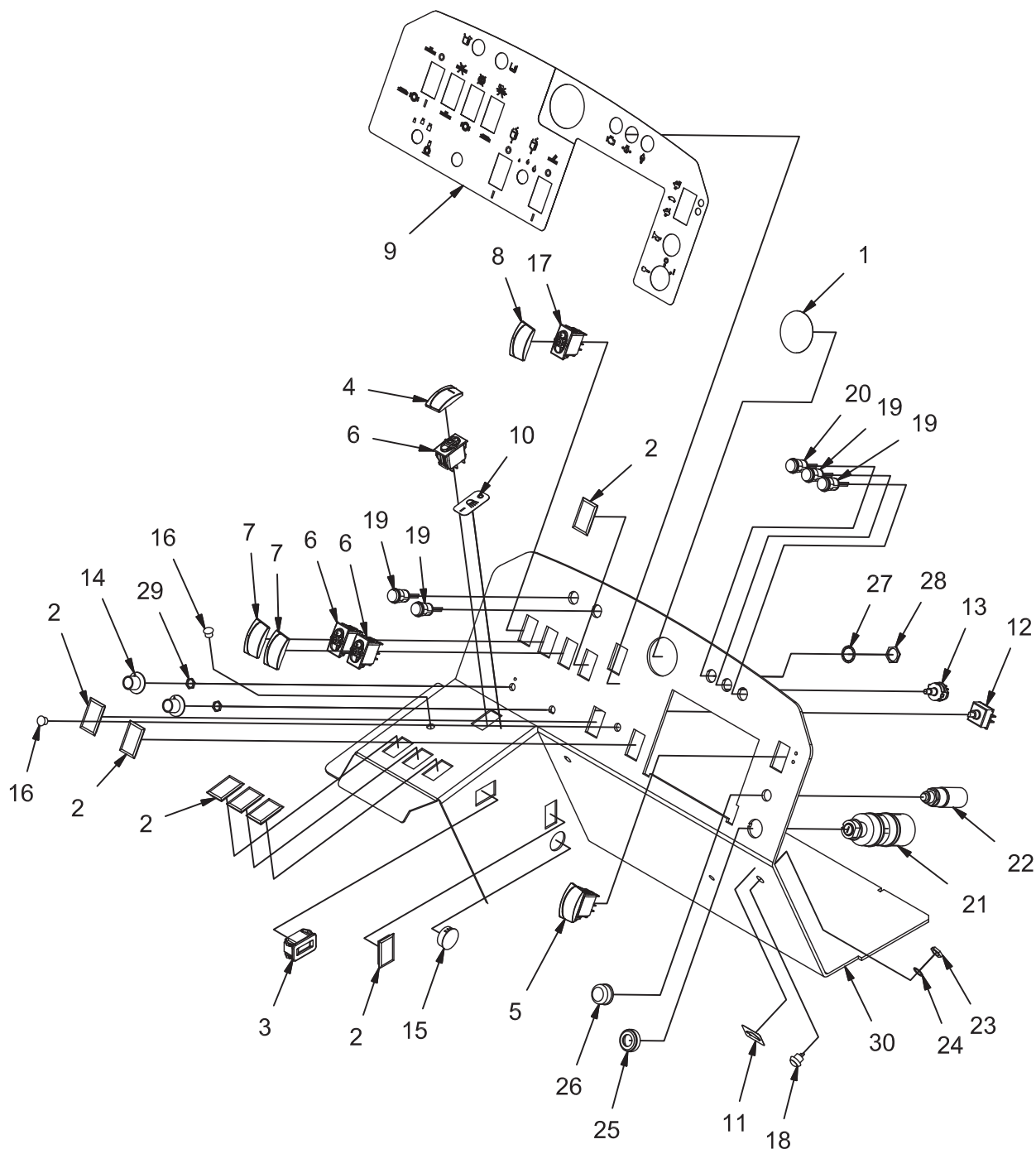


REV L

**INSTRUMENT PANEL GROUP - GAS (730107)**

Parts List - 730107			
ITEM	PART NO.	QTY	DESCRIPTION
1	3300382	1	GAUGE-FUEL, 2" DIA, 12V
2	3301345-1	1	WIRE ASSY, LIGHT INST GAUGE
3	3323529	7	PLUG-CARLING CONTURA SWITCH
4	3336094	1	GAUGE-HOURMETER DIGITAL SNAP-IN 8-32VDC
5	3342273	1	COVER-SWITCH, CARLING, BLACK W/LENS
6	3342703	1	SWITCH-ROCKER, DPDT CONTURA NO LENS
7	3342705	3	SWITCH-BASE, DPST CONTURA ROCKER
8	3344038	2	COVER-SWITCH ROCKER BLACK NO LENS
9	3344039	1	COVER-SWITCH ROCKER GREEN NO LENS
10	715957	1	DECAL, INSTRUMENT PANEL
11	715973	1	DECAL, LIGHTS
12	715974	1	DECAL, IDLE
13	730850	1	SWITCH, ROTARY, 3 WAY
14	730989-1	1	SWITCH WIRE ASSY, ROTARY 3-POS
15	731187	2	KNOB
16	731393	1	HOLE PLUG, 1 1/8 IN
17	742749	2	CIRCUIT BREAKER, HOLE PLUG
18	748761	1	SWITCH, TOGGLE DPDT ON/ON
19	748791-1	1	WIRE ASSY, PUSHBUTTON SWITCH
20	748995	4	LIGHT ASSY, INDICATOR RED - LED
21	748996	1	LIGHT ASSY, INDICATOR AMBER - LED
22	748998	1	FUEL GAUGE HARNESS
23	749072	1	SWITCH, IGNITION W/HARNESS
24	749073	1	SWITCH, HORN W/HARNESS
25	PART OF 3300382	2	NUT
26	PART OF 3300382	2	LOCKWASHER
27	PART OF 3300382	1	RETAINER, GAUGE
28	PART OF 749072	1	NUT, KEYSWITCH
29	PART OF 749073	1	CAP, SWITCH
30	PART OF LED	5	NUT
31	PART OF LED	5	LOCKWASHER
32	PART OF ROTARY SWITCH	2	NUT
33	REFERENCE	1	CONSOLE

## INSTRUMENT PANEL GROUP - LPG (730106)



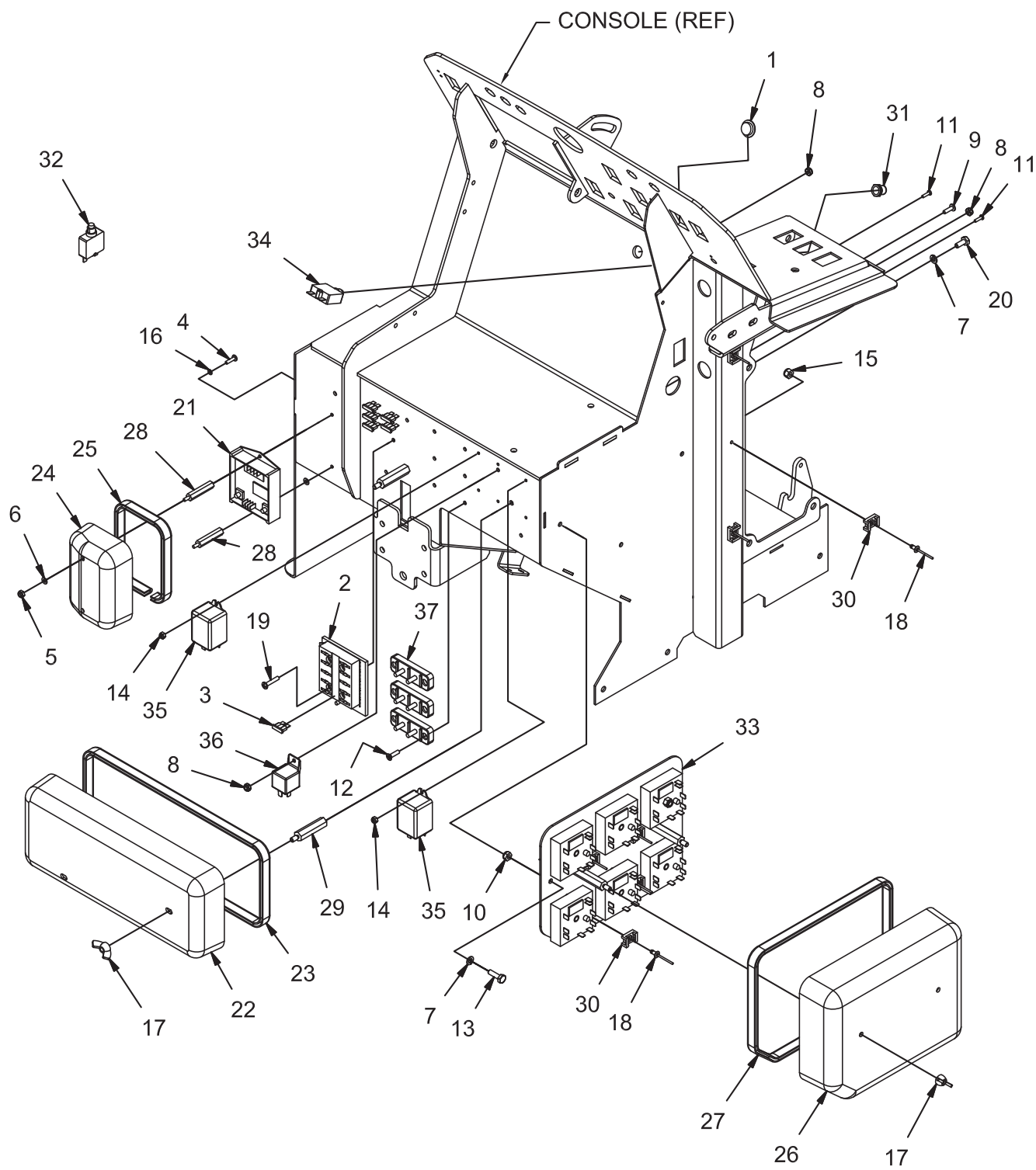
REV G



**INSTRUMENT PANEL GROUP - LPG (730106)**

<b>Parts List - 730106</b>			
<b>ITEM</b>	<b>PART NO.</b>	<b>QTY</b>	<b>DESCRIPTION</b>
1	3301822	1	PLUG-PLASTIC 2.00" DIA, (FOR GAUGES)
2	3323529	7	PLUG-CARLING CONTURA SWITCH
3	3336094	1	GAUGE-HOURMETER DIGITAL SNAP-IN 8-32VDC
4	3342273	1	COVER-SWITCH, CARLING, BLACK W/LENS
5	3342703	1	SWITCH-ROCKER, DPDT CONTURA NO LENS
6	3342705	3	SWITCH-BASE, DPST CONTURA ROCKER
7	3344038	2	COVER-SWITCH ROCKER BLACK NO LENS
8	3344039	1	COVER-SWITCH ROCKER GREEN NO LENS
9	715957	1	DECAL, INSTRUMENT PANEL
10	715973	1	DECAL, LIGHTS
11	715974	1	DECAL, IDLE
12	730850	1	SWITCH, ROTARY, 3 WAY
13	730989-1	1	SWITCH WIRE ASSY, ROTARY 3-POS
14	731187	2	KNOB
15	731393	1	HOLE PLUG, 1 1/8 IN
16	742749	2	CIRCUIT BREAKER, HOLE PLUG
17	748761	1	SWITCH, TOGGLE DPDT ON/ON
18	748791-1	1	WIRE ASSY, PUSHBUTTON SWITCH
19	748995	4	LIGHT ASSY, INDICATOR RED - LED
20	748996	1	LIGHT ASSY, INDICATOR AMBER - LED
21	749072	1	SWITCH, IGNITION W/HARNESS
22	749073	1	SWITCH, HORN W/HARNESS
23	PART OF 748791-1	1	NUT
24	PART OF 748791-1	1	WASHER
25	PART OF 749072	1	NUT, KEYSWITCH
26	PART OF 749073	1	CAP, SWITCH
27	PART OF LED	5	LOCKWASHER
28	PART OF LED	5	NUT
29	PART OF ROTARY SWITCH	2	NUT
30	REFERENCE	1	CONSOLE

## INSTRUMENTATION GROUP (730109)

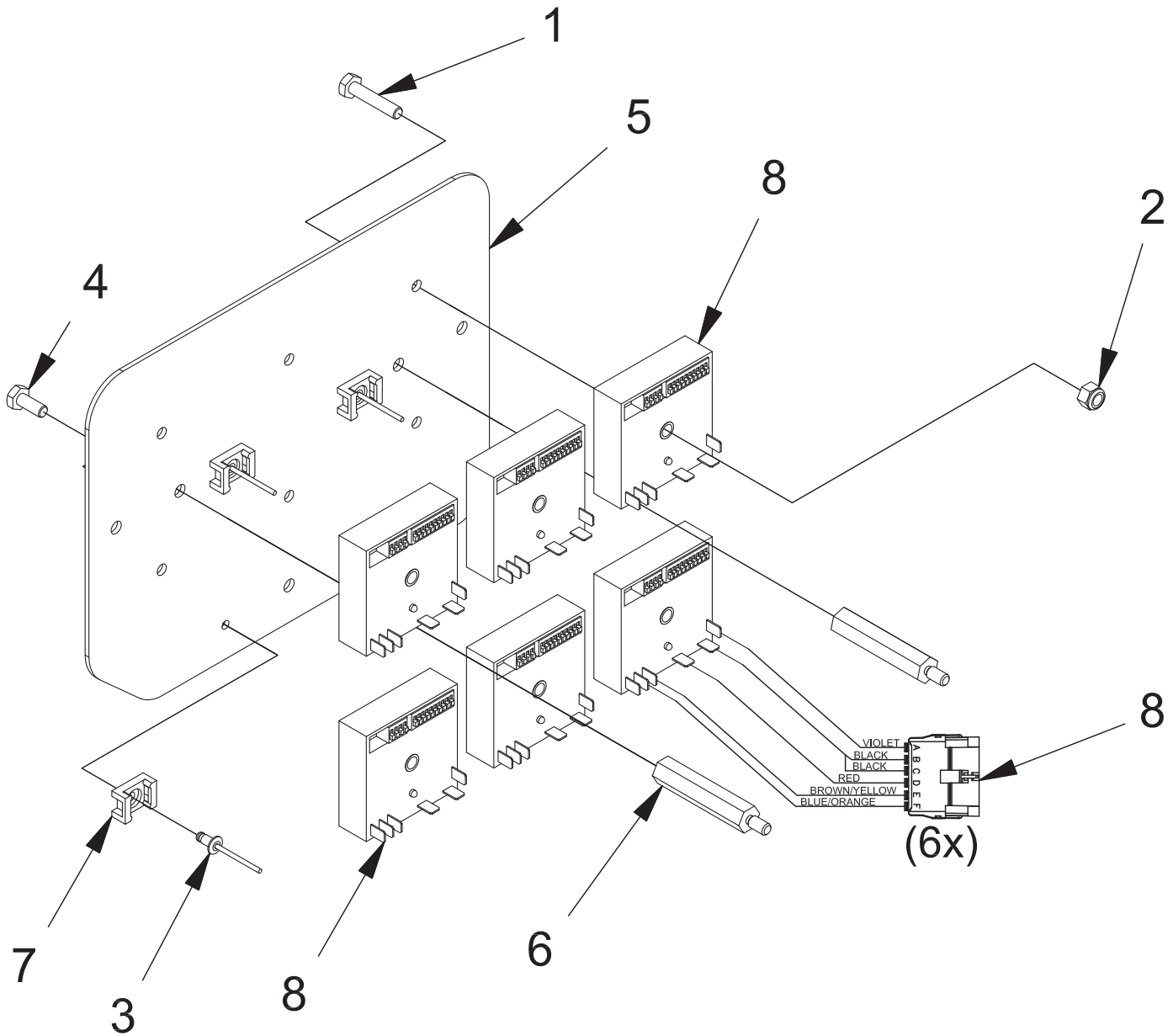


REV G

**INSTRUMENTATION GROUP (730109)**

<b>Parts List - 730109</b>			
<b>ITEM</b>	<b>PART NO.</b>	<b>QTY</b>	<b>DESCRIPTION</b>
1	3301669	1	PLUG-PLASTIC, 11/16 DIA
2	3322599	1	FUSE BLOCK-ATO FUSE
3	3322601	7	FUSE-15 AMP AUTOMOTIVE PUSH IN
4	3400045	2	SCR-PHMS 8-32X0.62 ZP SLOT HEAD
5	711372	2	NUT-NYLOC 8-32 ZP
6	711502	2	WASHER-FLAT #8 X .438 ZP
7	711544	5	WASHER-LOCK 1/4 SPLIT ZP
8	711350	9	NUT-JAM 10-32 ZP NYLOC
9	710356	1	SCR-RHMS 10-32 X 0.625 ZP
10	711387	3	NUT-JAM 1/4-20 ZP NYLOC
11	710204	4	SCR-PHMS 6-32 X .50 ZP
12	710556	6	SCR-FHMS 10-32 X .75 ZP
13	711206	3	SCR-HH 1/4-20 X .87 ZP GR 5
14	711371	4	NUT-NYLOC 6-32 ZP
15	711373	3	NUT-NYLOC 1/4-20 ZP
16	711542	2	WASHER-LOCK #8 SPLIT ZP
17	711563	4	NUT-WING 1/4-20 NYLON
18	711903	4	RIVET-POP 3/16 X .25 AL
19	710362	2	SCR-RHMS 10-32 X 1.25 ZP
20	713001	2	SCR-HH 1/4-20 X .62 GR 5 ZP
21	731125-1	1	ASSEMBLY PVD - SGL SOLENOID
22	731227	1	COVER, FUSE PANEL
23	731228	1	SEAL, MAIN PANEL
24	731229	1	COVER, CONTROLLER
25	731230	1	SEAL, CONTROLLER COVER
26	731231	1	COVER, TIMER
27	731232	1	SEAL, TIMER COVER
28	731233	2	STANDOFF, PANEL, 8-32 X 1.75 LG ZINC
29	731234	2	STANDOFF, PANEL, 1/4-20 X 2.00 LG ZINC
30	731258	4	MOUNT, CABLE TIE
31	742748	1	CIRCUIT BREAKER-BOOT
32	746006	1	CIRCUIT BREAKER-3.0AMP PUSH BUTTON
33	748438	1	TIMER, ASSEMBLY BOX
34	748904	1	CIRCUIT BREAKER 40 AMP 10-32 SCREWS 90 D
35	748961	2	RELAY, DPDT 12VDC 35A
36	90264672	1	RELAY-SPDT, 12VDC 30A
37	90286238	3	TERMINAL BLOCK, 2 STUD M6 63A

## TIMER ASSEMBLY BOX (748438)

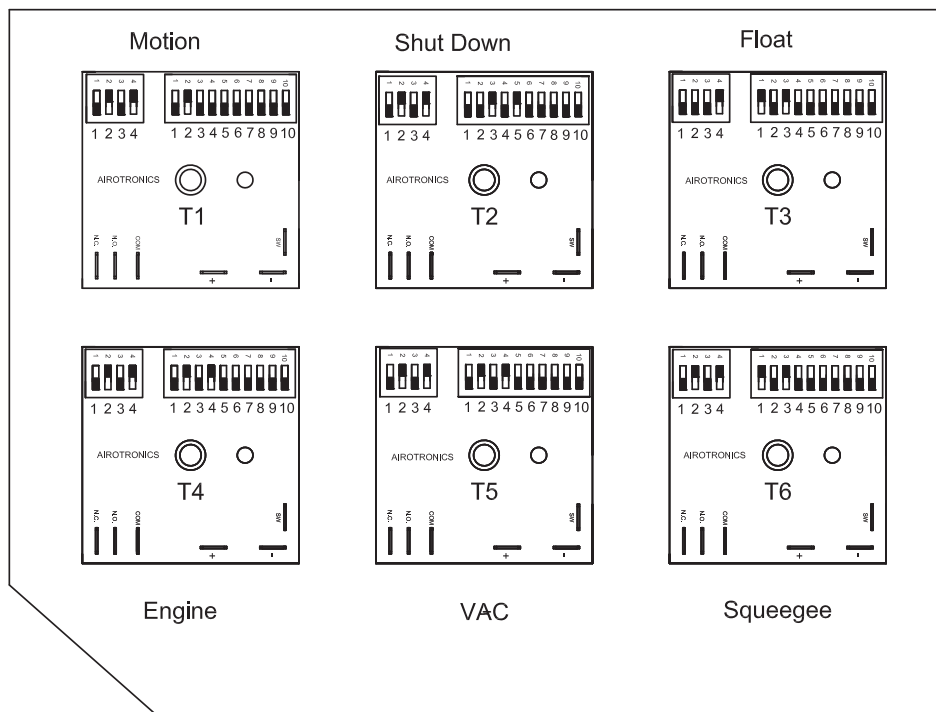


REV \*

**TIMER ASSEMBLY BOX BOM (748438)**

Parts List - 748438			
ITEM	PART NO.	QTY	DESCRIPTION
1	3400227	6	SCR-HH 1/4-20 X 1.25 ZP GR 5
2	711373	6	NUT-NYLOC 1/4-20 ZP
3	711903	3	RIVET-POP 3/16 X .25 AL
4	713001	2	SCR-HH 1/4-20 X .62 GR 5 ZP
5	731191	1	TIMER, PLATE
6	731236	2	STANDOFF, PANEL, 1/4-20 X 2.38 LG ZINC
7	731258	3	MOUNT, CABLE TIE
8	748430-1	6	TIMER ASSEMBLY

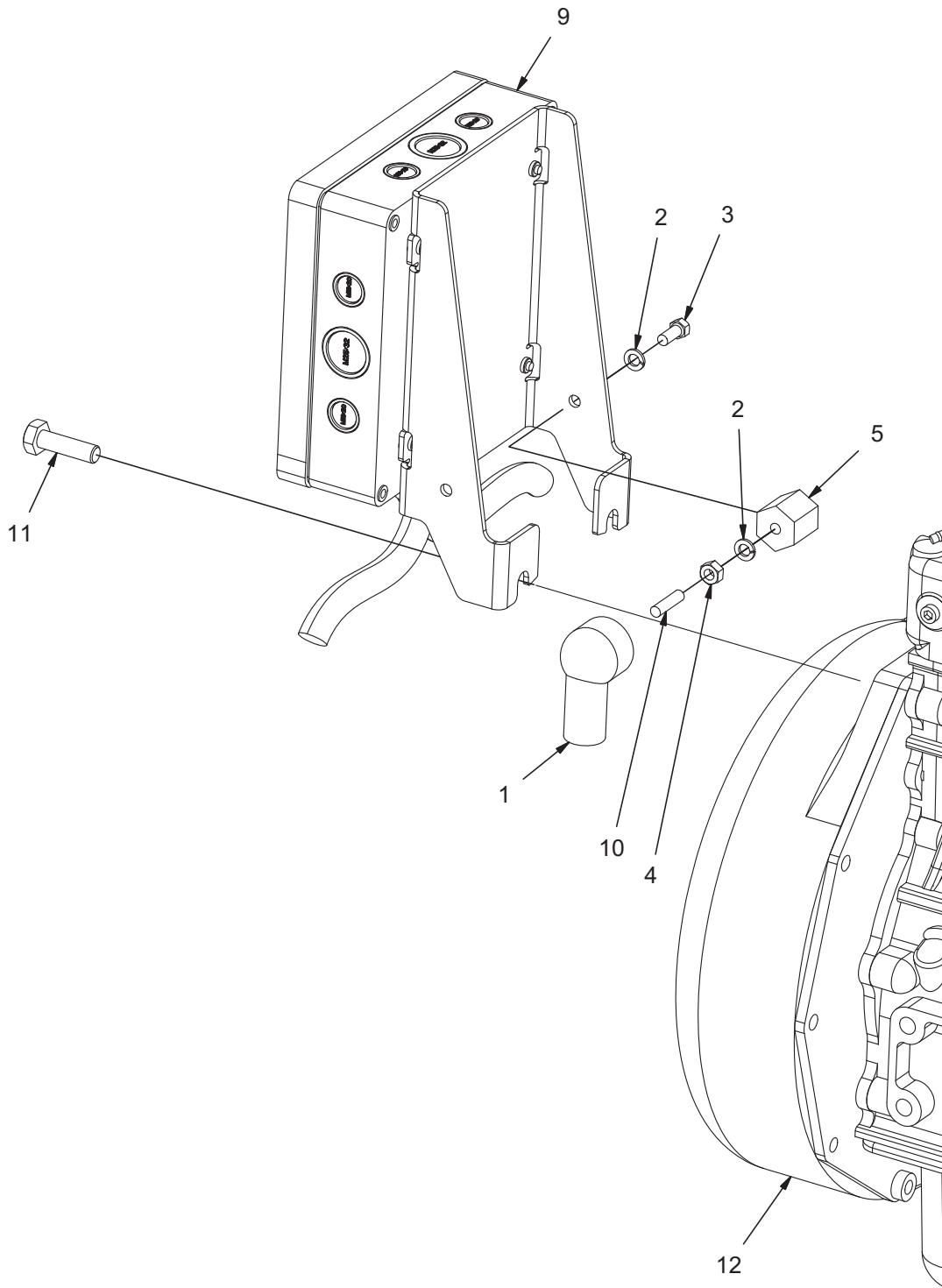
Timer Settings Detail



NOTE: SWITCHES ENLARGED TO SHOW DETAIL

TIMER CONNECTIONS	
WIRE	TERMINAL
VIOLET	SW
BLACK/BLACK	NEG
RED	POS
BROWN/YELLOW	COM
BLUE/ORANGE	N.O.

## ELECTRICAL BOX GROUP - DIESEL (730156)

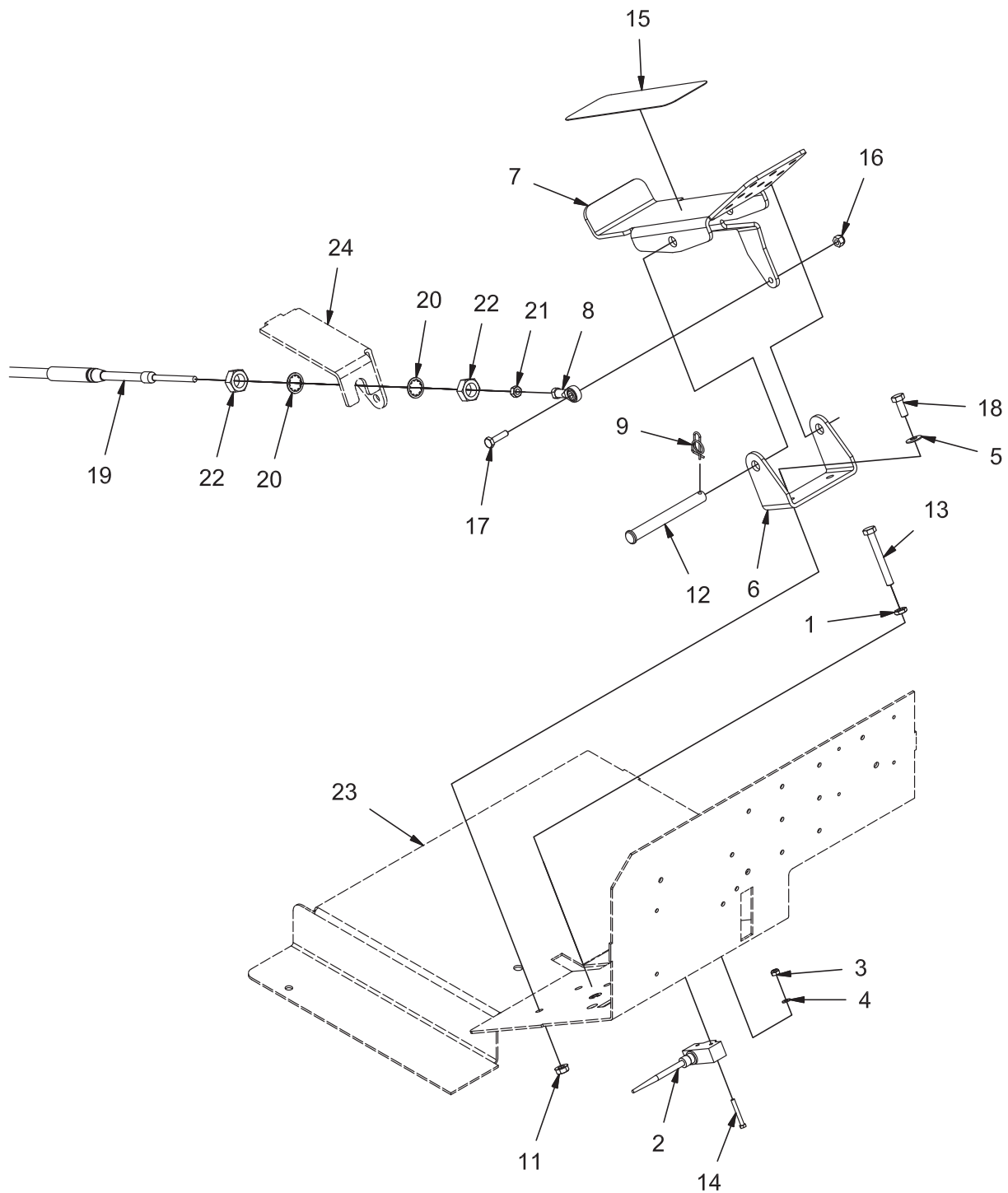


REV E

**ELECTRICAL BOX GROUP - DIESEL (730156)**

<b>Parts List - 730156</b>			
<b>ITEM</b>	<b>PART NO.</b>	<b>QTY</b>	<b>DESCRIPTION</b>
1	3342931	1	INSULATOR-BOOT RED
2	711544	2	WASHER-LOCK 1/4 SPLIT ZP
3	711203	1	SCR-HH 1/4-20 X .62 ZP TAP
4	3400071	1	NUT-HEX 1/4-20 ZP
5	740132	1	INSULATOR (ELECTRICAL)- 1/4-20 INSERT
6	748950	1	WIRE ASSY, OIL PRESSURE SWITCH
7	748951	1	WIRE ASSY, WATER TEMP SWITCH
8	749056	1	HARNES ASSY, ECU POWER
9	770679	1	DIESEL CONTROL BOX
10	833638	1	BRASS STUD- 1/4-20 X 1"
11	REFERENCE	1	BOLT
12	REFERENCE	1	ENGINE

## DIRECTIONAL CONTROL GROUP (730110)



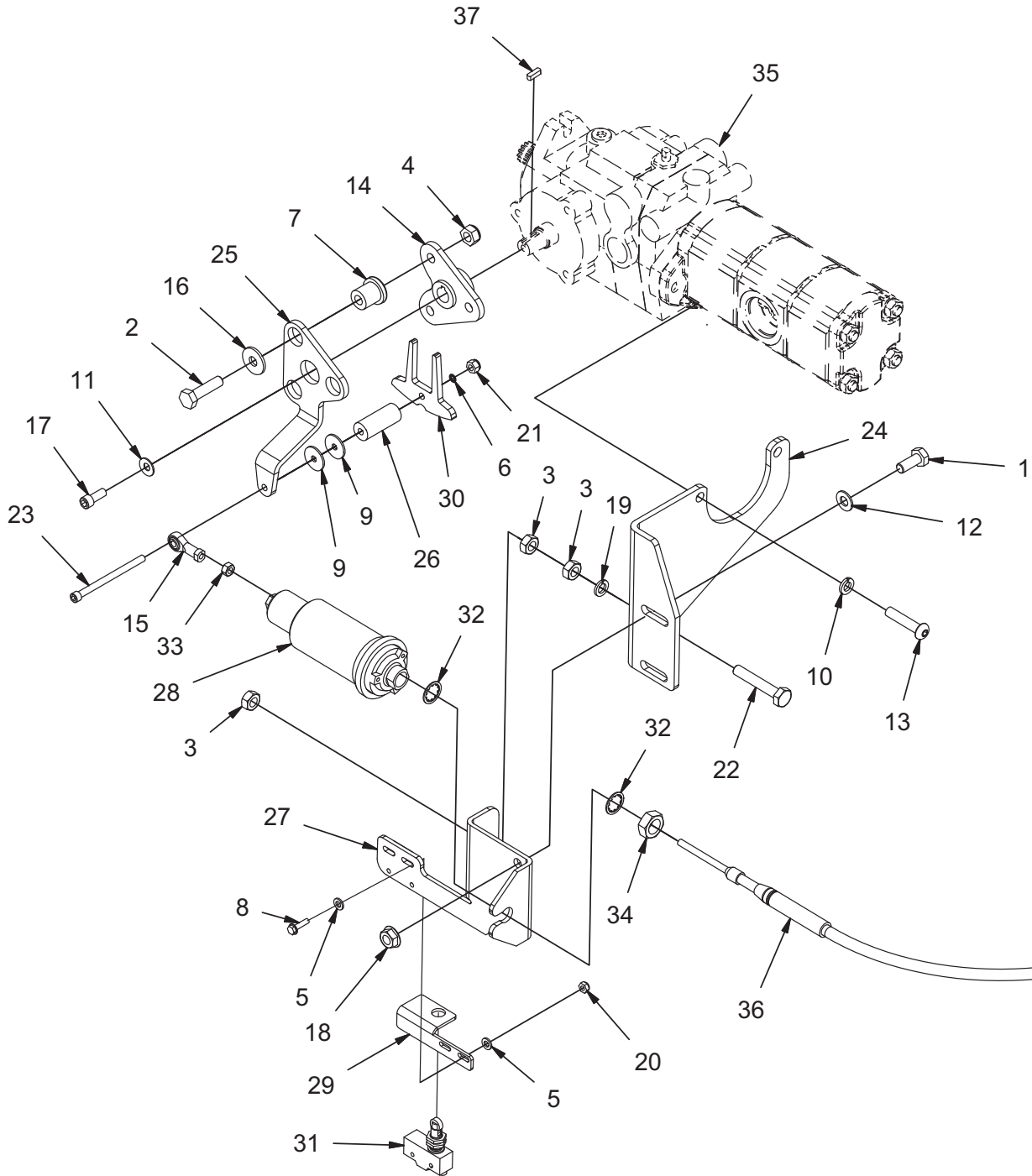
REV D



**DIRECTIONAL CONTROL GROUP (730110)**

<b>Parts List - 730110</b>			
<b>ITEM</b>	<b>PART NO.</b>	<b>QTY</b>	<b>DESCRIPTION</b>
1	12012019	1	NUT, M8-1.25 JAM
2	3342546-1	1	HARNESS, SWITCH, WHISKER
3	711372	2	NUT, FIBER INSERT #8-32
4	711502	2	FLATWASHER, #8
5	3400384	2	WASHER, 5/16 BELLEVILLE
6	600134	1	BRACKET, F/R PEDAL
7	600135	1	PEDAL, F/R
8	600175	1	ROD END, FEM 1/4-28
9	600578	1	RUE-RING, .50
10	600851	1	M8-1.25 INSERT, .125 GRIP
11	600934	2	NUT, M8-1.25 FLNG
12	620027	1	PIN, CLEVIS 1/2 X 4.50
13	600921	1	BOLT, M8-1.25 X 65 HH
14	620136	2	BOLT, #8-32 X 1.25 HH ZP
15	620179	1	PAD, F/R PEDAL
16	711373	1	NUT, FIBER INSERT 1/4-20
17	713003	1	SCREW, 1/4-20 X 1.00 HH
18	717024	2	BOLT, M8-1.25 X 20 HH
19	730356	1	CABLE, JACKETED, 92.50 OAL
20	PART OF 730356	2	LOCKWASHER
21	PART OF 730356	1	NUT, 1/4-28
22	PART OF 730356	2	NUT, 5/8-18 JAM
23	REFERENCE	1	CONSOLE
24	REFERENCE	1	FRAME

## PUMP LINKAGE GROUP (730111)

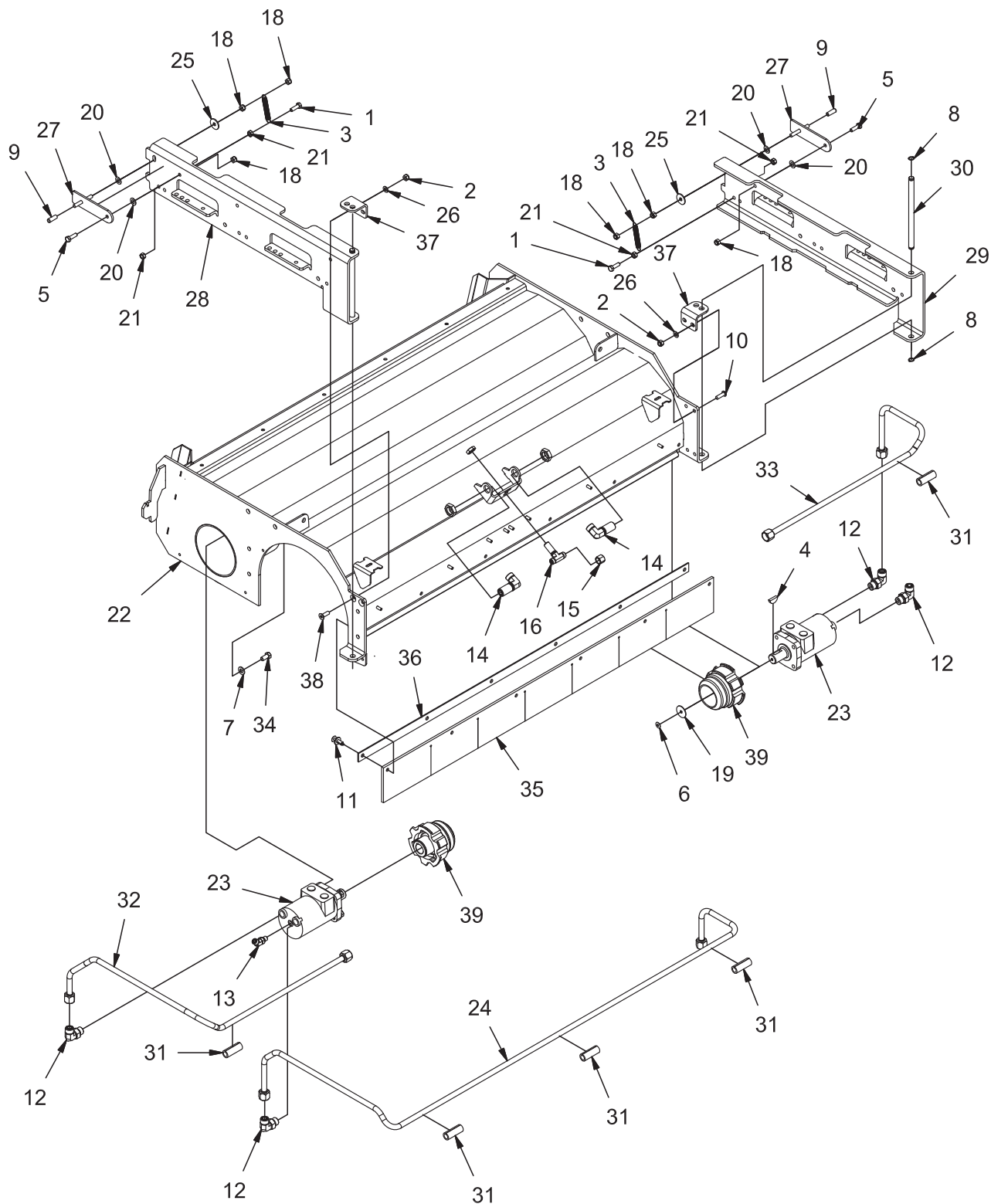


REV G

**PUMP LINKAGE GROUP (730111)**

<b>Parts List - 730111</b>			
<b>ITEM</b>	<b>PART NO.</b>	<b>QTY</b>	<b>DESCRIPTION</b>
1	11038346	2	SCR-HH M10-1.5 X 25 ZD CLASS 8.8
2	11038395	3	SCR-HH M10-1.5 X 40 ZP CLASS 8.8
3	12022067	3	NUT-HEX M10 X 1.5 ZD CLASS 8
4	12040069	3	NUT-NYLOC M10 X 1.5 ZD CLASS 6
5	12310256	4	WSR-FLT 6.4X12X1.6, SS DIN125
6	12518080	1	WSR-EXT LOCK M5.3 X 10 X 0.6 ZP
7	3300465	3	ISOLATOR-RUBBER (.375ID X .81OD)
8	3400044	2	SCR-HH 10-32 X .75 ZP SERR FLANGE
9	711519	2	WASHER-FENDER 1/4 X 1.00 ZP
10	711546	2	WASHER-LOCK 3/8 SPLIT ZP
11	3400384	1	WASHER-CONICAL SPRING 5/16
12	3400385	2	WASHER-CONICAL SPRING 3/8
13	3401572	2	SCR-BHSCS 3/8-16 X 1.75 ZP
14	600141	1	WELDMENT, DIR CONT HUB
15	600175	1	ROD END FEM 1/4-28
16	600363	3	WASHER-FLAT .39 X 1.12 X .1 ZP
17	600895	1	SCR-SHCS 5/16-24 X .75 ZP
18	600936	2	NUT-FLANGE WIZZ M10-1.50 ZP CLASS 8
19	600945	1	WASHER-LOCK M10
20	711350	2	NUT-NYLOC 10-32 ZP
21	711373	1	NUT-NYLOC 1/4-20 ZP
22	730481	1	SCR-HH M10-1.50 X 60 ZP CLASS 8.8
23	730699	1	SCR-SHCS 1/4-20 X 3.50 ZP
24	730714	1	MOUNT, HYDROBACK
25	730715	1	ARM, DIR CONT DG
26	731108	1	SPACER, .266 B .750 OD 1.81 T
27	731109	1	ADJUSTER, HYDROBACK W/SW MOUNT
28	731181	1	HYDROBACK CENTERING UNIT, 10 LB
29	731394	1	BRACKET, NEUTRAL SWITCH
30	731395	1	CAM, NEUTRAL, NAUTILUS
31	749009	1	SWITCH ASSY, ROLLER PLUNGER
32	PART OF CABLE ASSY	2	LOCKWASHER
33	PART OF CABLE ASSY	1	NUT, 1/4-28
34	PART OF CABLE ASSY	1	NUT, 5/8-18 JAM
35	REFERENCE	1	PUMP, PROPULSION
36	REFERENCE	1	CABLE, PUSH-PULL
37	WITH PUMP	1	KEY

## CYLINDRICAL SCRUB HEAD GROUP (730112)

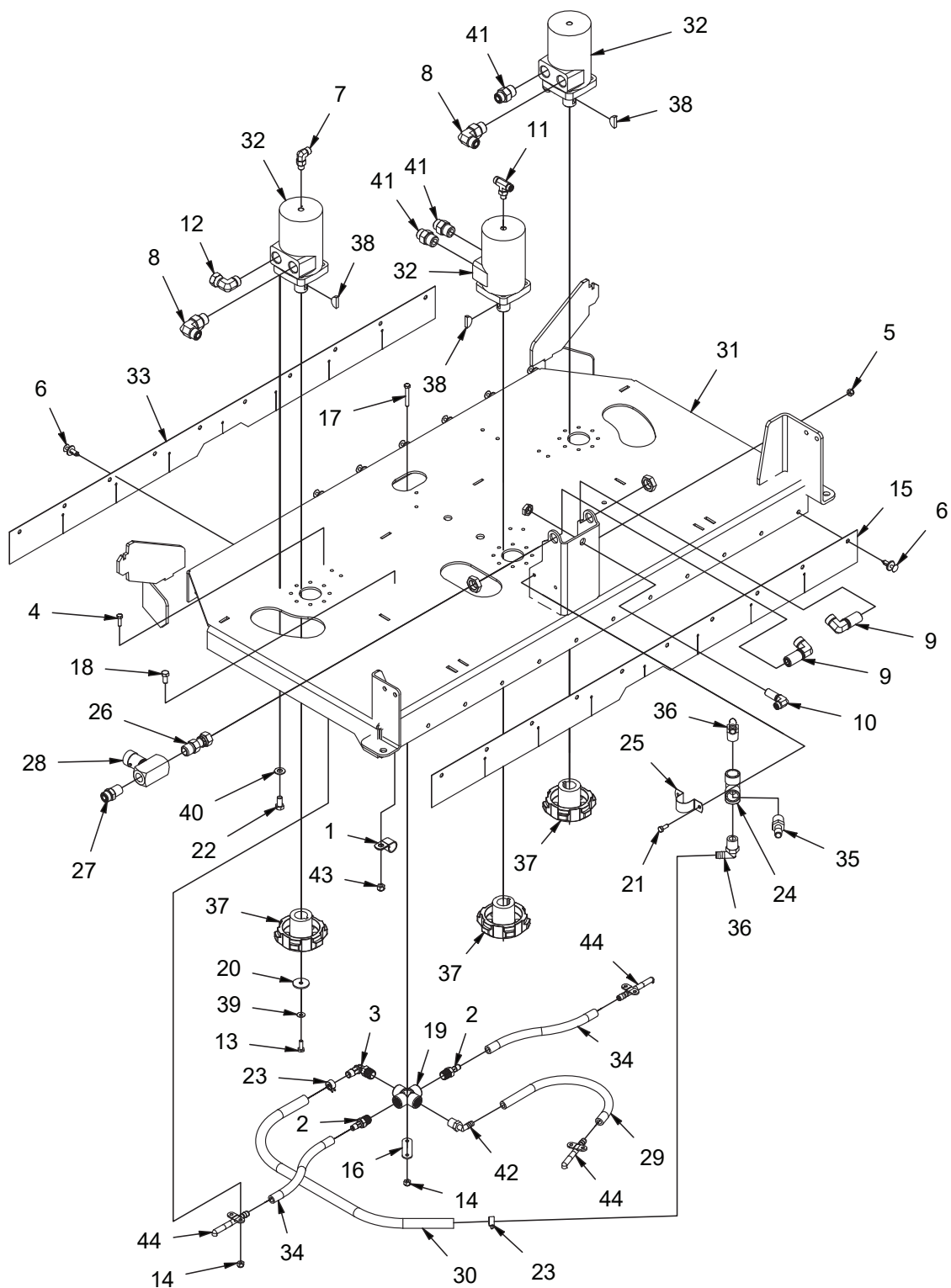


REV J

**CYLINDRICAL SCRUB HEAD GROUP (730112)**

<b>Parts List - 730112</b>			
<b>ITEM</b>	<b>PART NO.</b>	<b>QTY</b>	<b>DESCRIPTION</b>
1	11039567	2	SCR-HH M8-1.25 X 25 SS
2	12040259	4	NUT-NYLOC M8 X 1.25 SS
3	3304160	2	SPRING-EXTENTION, 2.00 LG
4	3330338	2	KEY-SHAFT D-FOSS CB/MB/SC MTRS
5	3400318	2	SCR-HH 5/16-18 X 1.00 SS
6	3400383	2	WASHER-CONICAL SPRING 1/4
7	3400385	8	WASHER-CONICAL SPRING 3/8
8	600569	4	RET RING-EXT .50 HD
9	600910	2	CAP, .313 X 1" VINYL BLACK
10	600917	2	SCR-BHSCS M8-1.25 X 25 SS
11	600965	6	FASTENER-PUSH TYPE RETAINER
12	675523	4	FTG-ORFS 90 ELBOW -8 -8 SAE
13	675541	1	FTG-ORFS 45 ELBOW -4 -4 SAE
14	675544	2	FTG-ORFS 90 ELBOW BULKHEAD -8 -8
15	675605	1	FTG-ORFS CAP -4
16	675607	1	FTG-ORFS TEE BULKHEAD -4 -4
17	712562	2	SCR-HH 1/4-20 X .75, 18-8 SS
18	712683	6	NUT-NYLOC 5/16-18 SS
19	712761	2	WASHER-FENDER 1/4 X 1.25 X .059 SS
20	712767	4	WASHER-FLAT .406 X .75 X .035 SS
21	717029	4	NUT-HEX M8 X 1.25 SS
22	730325MBC	1	WELDMENT, SCRUB HEAD
23	730343	2	MOTOR, 4.5 DISP
24	730348	1	ASSEMBLY, CROSS TUBE
25	730526	2	WASHER-FENDER M8 X 24 SS
26	730609	4	WASHER-FLAT M8 SS
27	730622	2	WELDMENT, DOOR LATCH
28	730626	1	SQU MNT CHANNEL, RH SS
29	730627	1	SQU MNT CHANNEL, LH SS
30	730642	2	SHAFT, .50 D X 8.00 L
31	730685	5	GUARD, HOSE, 2 IN
32	730775	1	ASSEMBLY, RH MOTOR TUBE
33	730776	1	ASSEMBLY, LH MOTOR TUBE
34	730959	8	SCR-HH 3/8-16 X .75 SS
35	730982	1	SKIRT, SCRUB HEAD
36	730983	1	STRAP, RETAINER SS
37	731131	2	HINGE, ADJ, SS
38	731139	2	SCR-FHSCS M8-1.25 X 25 SS
39	731304-1	2	DRIVER (USE K-731304-1 FOR REPLACEMENT)

## DISC SCRUB HEAD GROUP (730191)

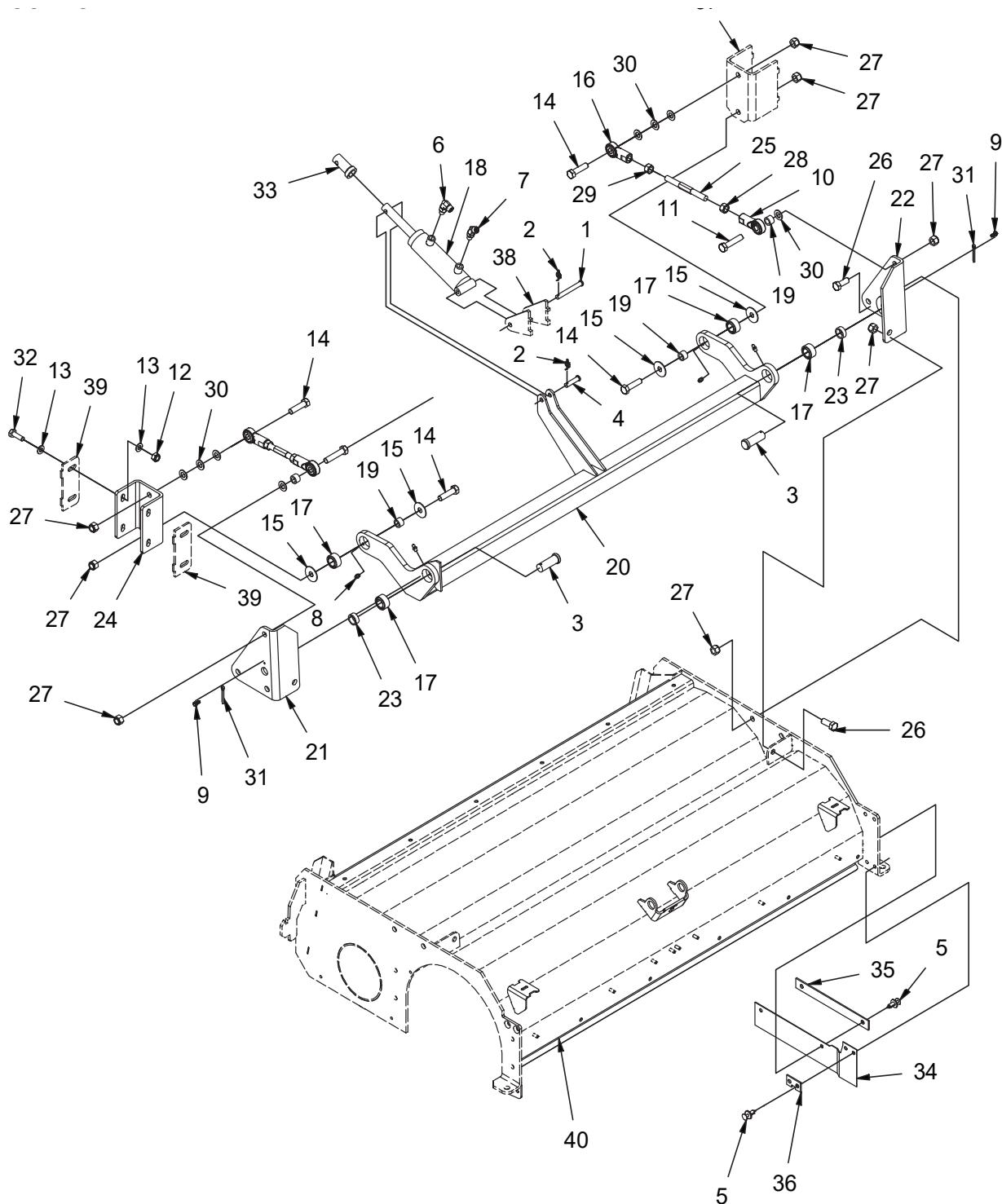


REV C

**DISC SCRUB HEAD GROUP (730191)**

Parts List - 731091			
ITEM	PART NO.	QTY	DESCRIPTION
1	82-54-A	1	CLAMP-P .75 I.D. 5/16 DIA.
2	173156	2	FTG-ADAPTER 3/8 MPT X 3/8 HB PP
3	383337	1	FTG-ELBOW 90 3/8 MPT X 1/2 HB PP
4	600913	6	SCR-HH M6-1.00 X 20 SS
5	600933	2	NUT-NYLOC M6-1.00 SS
6	600965	20	FASTENER-PUSH TYPE RETAINER
7	675507	1	FTG-ORFS 90 ELBOW -4 -4 SAE
8	675528	2	FTG-ORFS 90 ELBOW -8 -10 SAE
9	675544	2	FTG-ORFS 90 ELBOW BULKHEAD -8 -8
10	675545	1	FTG-ORFS 90 ELBOW BULKHEAD -4 -4
11	675556	1	FTG-ORFS TEE BRANCH -4 -4 -4 SAE
12	675580	1	FTG-ORFS 90 ELBOW SWIVEL NUT -8 -8 SAE
13	712562	3	SCR-HH 1/4-20 X .75, 18-8 SS
14	712667	8	NUT-NYLOC 1/4-20 SS
15	718001	1	SKIRT, FRONT
16	718008	1	BAR, RETAINER
17	718009	2	SCR-HH M6-1.0 X 45 SS
18	718010	1	SCR-HH M8-1.25 X 18 SS
19	718012	1	FTG-CROSS 3/8 X 3/8 X 3/8 X 3/8 FPT PP
20	730933	3	WASHER, .28 B 1.25 OD .105 T SS
21	730934	2	SCR-HH M6-1.00 X 16 SS FULL THREAD
22	730959	12	SCR-HH 3/8-16 X .75 SS
23	730962	2	CLAMP - UNICLAMP .650 DIA MAGNI 565
24	730966	1	FTG-TEE FEMALE 1/2 NPT X 1/2 X 1/2 PVC
25	730974	1	CLAMP, CONDUIT, 1 IN
26	731373	1	FTG-ADAPTER, SWIVEL, -8 F-ORFS X 1/2 M-N
27	731374	1	FTG-ADAPTER, 1/2 M-NPT X -8 M-ORFS
28	731376	1	VALVE-NEEDLE, 1/2 F-NPT X 1/2 F-NPT
29	731428	1	HOSE-NYL REINFORCED 3/8 ID, 15.00"
30	731429	1	HOSE-NYL REINFORCED 1/2 ID, 28.00"
31	731683	1	WELDMENT, DISK DECK
32	731700	3	MOTOR, HYD, 8.0 DISP
33	731708	1	SKIRT, REAR
34	731983	2	HOSE-NYL REINFORCED 3/8 ID, 12.00"
35	3315534	1	FTG-ADAPTER 1/2 MPT X 1/2 HB PP
36	3315535	2	FTG-ELBOW 90 1/2 MPT X 1/2 HB PP
37	3324451	3	DRIVER-SCRUB BRUSH
38	3330338	3	KEY-SHAFT D-FOSS CB/MB/SC MTRS
39	3400383	3	WASHER-CONICAL SPRING 1/4
40	3400385	12	WASHER-CONICAL SPRING 3/8
41	3400689	3	FTG-ORFS STR THD -8 -10 SE
42	3400985	1	FTG-ELBOW 90 3/8 MPT X 3/8 HB PP
43	12040259	1	NUT-NYLOC M8 X 1.25 SS
44	90311663	3	FITTING, WATER NOZZLE W/ MOUNT HOLES

## CYLINDRICAL SCRUB BRUSH LIFT GROUP (730113)



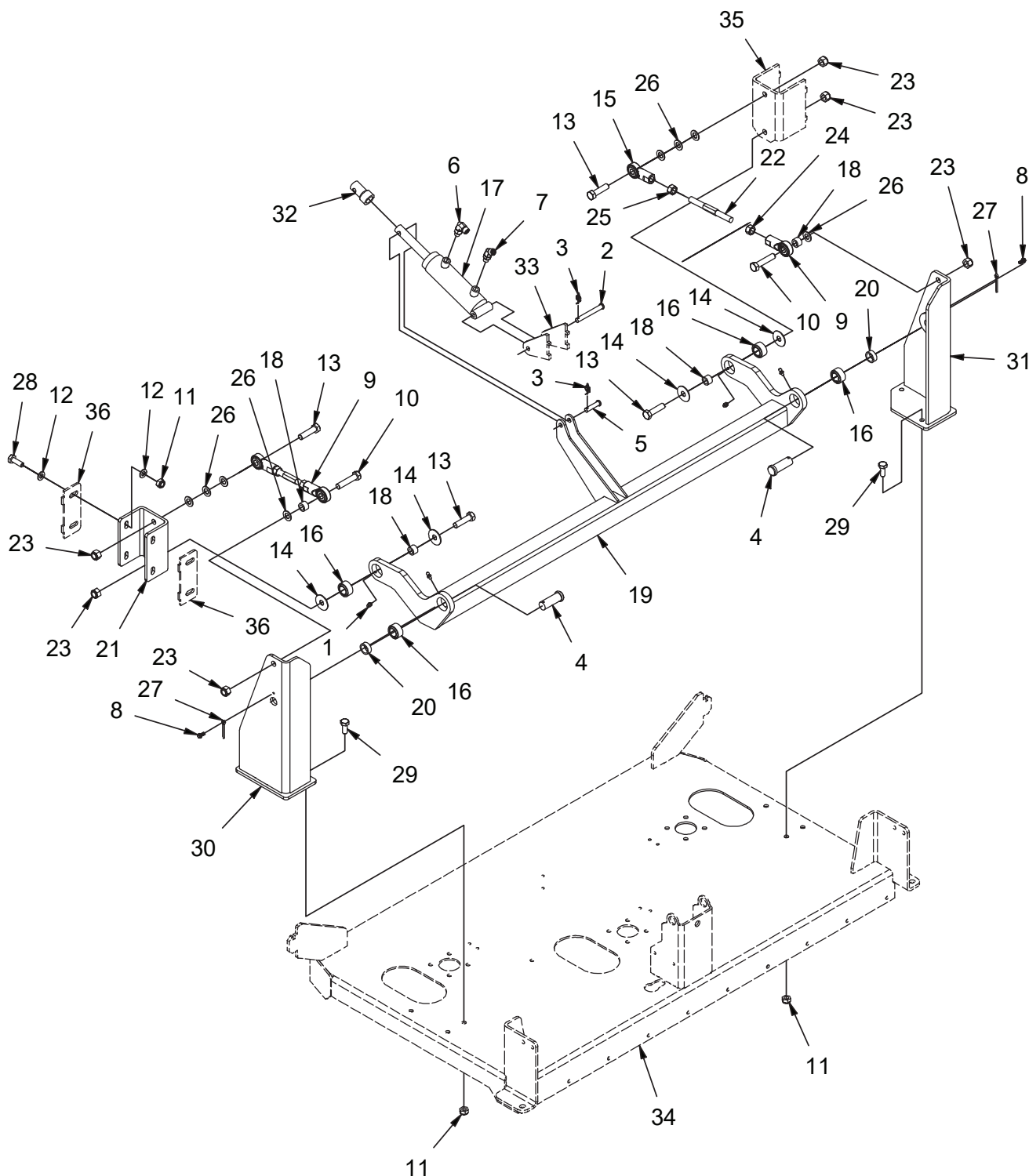
REV E



**CYLINDRICAL SCRUB BRUSH LIFT GROUP (730113)**

<b>Parts List - 730113</b>			
<b>ITEM</b>	<b>PART NO.</b>	<b>QTY</b>	<b>DESCRIPTION</b>
1	3400115	1	PIN-CLEVIS 3/8 X 3.00 ZP
2	3400125	2	RING-RUE 3/8
3	3400439	2	PIN-CLEVIS 3/4 X 2.00 ZP
4	600573	1	PIN-CLEVIS 3/8 X 1.50 ZP
5	600965	4	FASTENER-PUSH TYPE RETAINER
6	675507	1	FTG-ORFS 90 ELBOW -4 -4 SAE
7	675541	1	FTG-ORFS 45 ELBOW -4 -4 SAE
8	710006	4	FTG-GREASE, 1/4-28 THREAD-FORMING
9	712166	2	SCR-HH 10-32 X .50 SS THREAD FORMING
10	714638	2	ROD END, M12 LH
11	714648	2	SCR-HH M12-1.75 X 55 SS
12	730339	4	NUT-NYLOC M10-1.50 SS
13	730344	8	WASHER-FLAT M10 SS
14	730516	4	SCR-HH M12-1.75 X 45 SS
15	730528	4	WASHER-FENDER M12 X 37 SS
16	730544	2	ROD END, FEM, M12-1.75
17	730547	4	BEARING, SPHERICAL
18	730548	1	CYLINDER-1.5 BORE X 2.88 STROKE
19	730549	4	SPACER, .484 B .746 OD .500 T
20	730590	1	WELDMENT, SH LIFT ARM BLK
21	730594	1	WELDMENT, SH LIFT BRACKET RH BLK
22	730597	1	WELDMENT, SH LIFT BRACKET LH BLK
23	730599	2	SPACER, .760 B 1.00 OD .375 T
24	730600	1	CHANNEL, SH ADJ MNT
25	730603	2	ROD, ADJ
26	730604	6	SCR-HH M12-1.75 X 30 SS FULL THREAD
27	730605	12	NUT-NYLOC M12-1.75 SS
28	730606	2	NUT-HEX M12-1.75 SS LEFT-HAND THREAD
29	730607	2	NUT-HEX M12-1.75 SS
30	730608	8	WASHER-FLAT M12 SS
31	730610	2	PIN-COTTER .156 X 1.25 SS
32	730878	4	SCR-HH M10-1.50 X 30 SS
33	731194	1	TUBE, STOP
34	731362	1	SKIRT, SIDE
35	731363	1	SKIRT RETAINER, REAR
36	731364	1	SKIRT RETAINER, FRONT
37	REFERENCE	1	FRAME
38	REFERENCE	1	FRAME
39	REFERENCE	1	FRAME
40	REFERENCE	1	SCRUB HEAD

## DISC SCRUB BRUSH LIFT GROUP (730192)

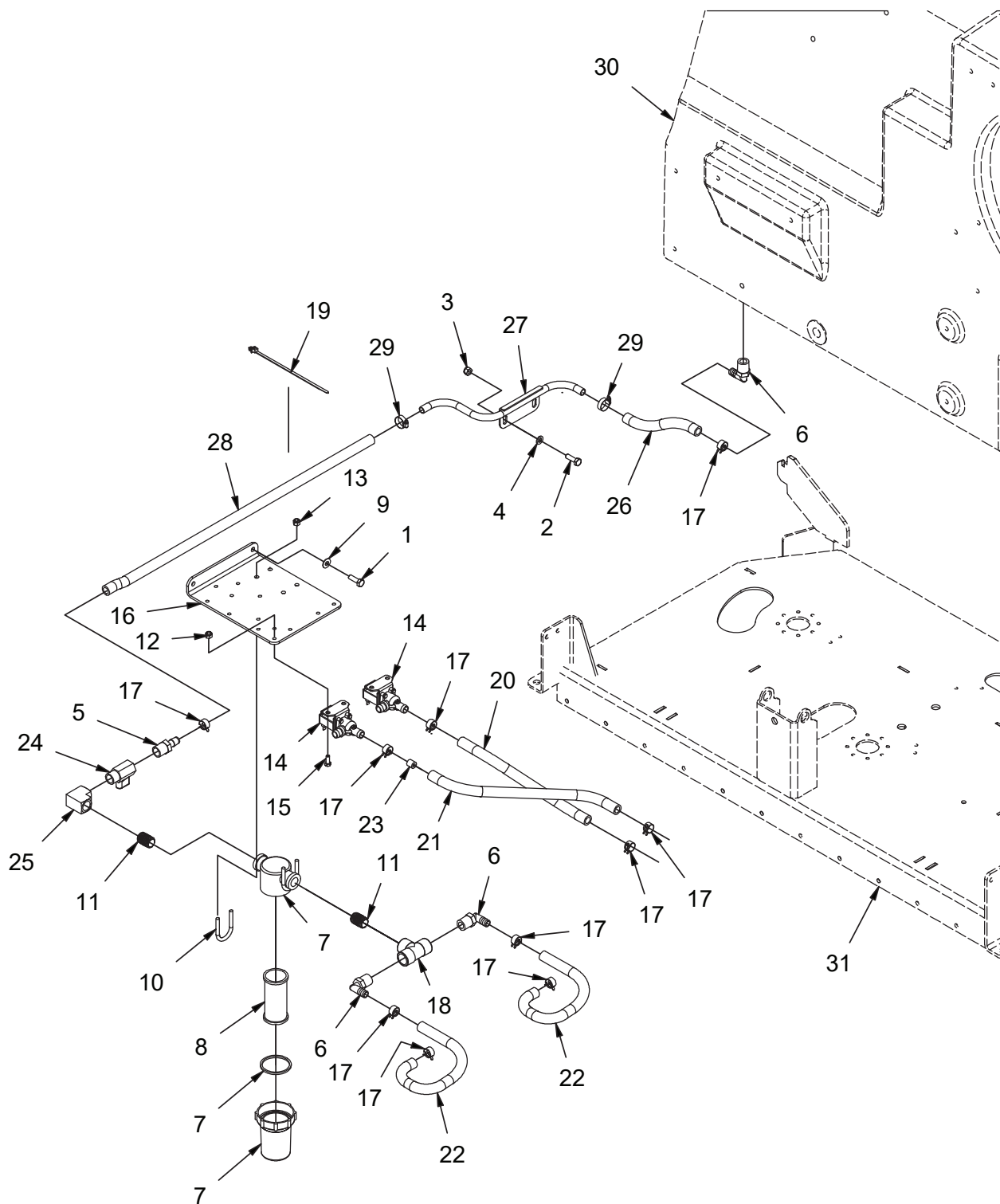


REV C

**DISC SCRUB BRUSH LIFT GROUP (730192)**

<b>Parts List - 730192</b>			
<b>ITEM</b>	<b>PART NO.</b>	<b>QTY</b>	<b>DESCRIPTION</b>
1	3400012	4	FTG-GREASE 3/16
2	3400115	1	PIN-CLEVIS 3/8 X 3.00 ZP
3	3400125	2	RING-RUE 3/8
4	3400439	2	PIN-CLEVIS 3/4 X 2.00 ZP
5	600573	1	PIN-CLEVIS 3/8 X 1.50 ZP
6	675507	1	FTG-ORFS 90 ELBOW -4 -4 SAE
7	675541	1	FTG-ORFS 45 ELBOW -4 -4 SAE
8	712166	2	SCR-HH 10-32 X .50 SS THREAD FORMING
9	714638	2	ROD END, M12 LH
10	714648	2	SCR-HH M12-1.75 X 55 SS
11	730339	10	NUT-NYLOC M10-1.50 SS
12	730344	8	WASHER-FLAT M10 SS
13	730516	4	SCR-HH M12-1.75 X 45 SS
14	730528	4	WASHER-FENDER M12 X 37 SS
15	730544	2	ROD END, FEM, M12-1.75
16	730547	4	BEARING, SPHERICAL
17	730548	1	CYLINDER-1.5 BORE X 2.88 STROKE
18	730549	4	SPACER, .484 B .746 OD .500 T
19	730590	1	WELDMENT, SH LIFT ARM BLK
20	730599	2	SPACER, .760 B 1.00 OD .375 T
21	730600	1	CHANNEL, SH ADJ MNT
22	730603	2	ROD, ADJ
23	730605	6	NUT-NYLOC M12-1.75 SS
24	730606	2	NUT-HEX M12-1.75 SS LEFT-HAND THREAD
25	730607	2	NUT-HEX M12-1.75 SS
26	730608	8	WASHER-FLAT M12 SS
27	730610	2	PIN-COTTER .156 X 1.25 SS
28	730878	4	SCR-HH M10-1.50 X 30 SS
29	730958	6	SCR-HH M10-1.50 X 25 SS FULL THREAD
30	731701	1	WELDMENT, SH LIFT BRACKET, RH
31	731702	1	WELDMENT, SH LIFT BRACKET, LH
32	731707	1	TUBE, STOP, DISC SCRUB HEAD
33	REFERENCE	1	FRAME
34	REFERENCE	1	FRAME
35	REFERENCE	1	FRAME
36	REFERENCE	1	DISC SCRUB HEAD

## DISC SCRUB HEAD SOLUTION CONTROL GROUP (730194)

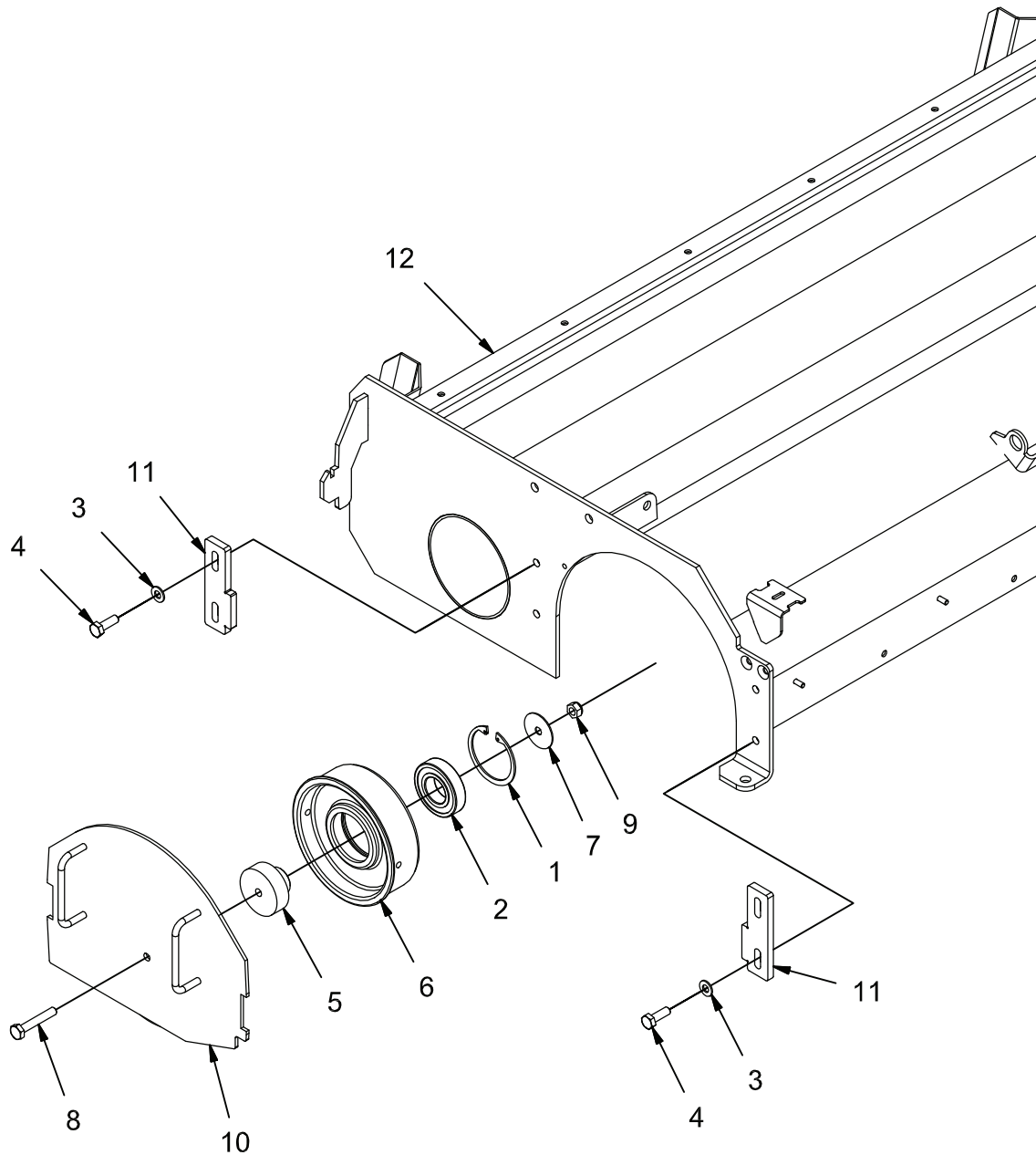


REV A

**DISC SCRUB HEAD SOLUTION CONTROL GROUP (730194)**

<b>Parts List - 730194</b>			
<b>ITEM</b>	<b>PART NO.</b>	<b>QTY</b>	<b>DESCRIPTION</b>
1	11038247	2	SCR-HH M8-1.25 X 25 ZP CLASS 8.8
2	11039567	2	SCR-HH M8-1.25 X 25 SS
3	12040259	2	NUT-NYLOC M8 X 1.25 SS
4	12310041	2	WASHER-FLAT M8.4 X 16 X 1.6 ZP
5	3315534	1	FTG-ADAPTER 1/2 MPT X 1/2 HB PP
6	3315535	3	FTG-ELBOW 90 1/2 MPT X 1/2 HB PP
7	3323501	1	FILTER-B50 MESH INLINE
8	3332264	1	FILTER ELEMENT - SERVICE
9	3400384	2	WASHER-CONICAL SPRING 5/16
10	3401981	2	BLT-U 1/4-20 X3/4 ZP
11	383465	2	FTG-NIPPLE 1/2 MPT X 1-1/8 LG BRASS
12	600933	4	NUT-NYLOC M6-1.00 SS
13	712667	4	NUT-NYLOC 1/4-20 SS
14	730899	2	VALVE, SOLENOID, 12V W .406 DIA ORIFICE
15	730934	4	SCR-HH M6-1.00 X 16 SS FULL THREAD
16	730955	1	BRACKET, FILTER MNT ZP
17	730962	10	CLAMP - UNICLAMP .650 DIA MAGNI 565
18	730966	1	FTG-TEE FEMALE 1/2 NPT X 1/2 X 1/2 PVC
19	730968	4	TIE, MOUNTED CABLE
20	730971	1	TUBING, .50 ID X .13 WAL BRA VIN 18.5 IN
21	730972	1	TUBNG, .50 ID X .13 WAL BRD VIN 20.75 IN
22	730973	2	TUBING, .50 ID X .13 WAL BRD VINYL 14 IN
23	731244	1	ORIFICE, SOLUTION
24	731378	1	BALL VALVE, 1/2 IN NPT, BRASS
25	731380	1	FTG-ELBOW 90 ST 1/2 FPT X 1/2 FPT BRASS
26	770524	1	TUBING, .50 ID X 6.75 VINYL
27	770525	1	WELDMENT, SOLUTION TUBE
28	770529	1	TUBING, .50 ID X 28.00 VINYL
29	829129	2	CLAMP - SCREW .313" to .875" DIA 301SS
30	REFERENCE	1	SOLUTION TANK
31	REFERENCE	1	DISC SCRUB HEAD

## SCRUB BRUSH IDLER GROUP (730114)

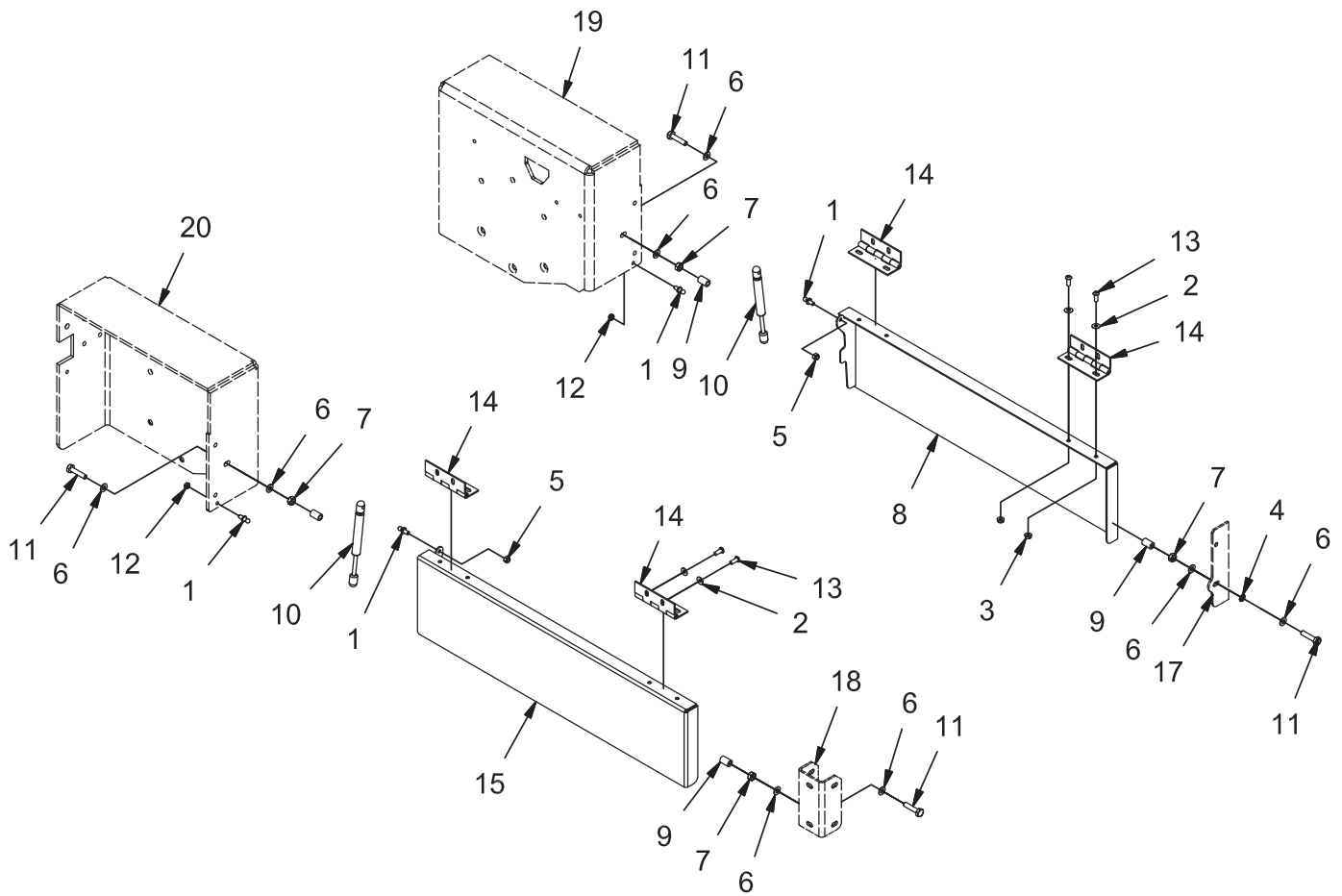


REV C

**SCRUB BRUSH IDLER GROUP (730114)**

<b>Parts List - 730114</b>			
<b>ITEM</b>	<b>PART NO.</b>	<b>QTY</b>	<b>DESCRIPTION</b>
1	3305666	2	RING, RETAINING, INT
2	3305667	2	BEARING, BALL, 207PP
3	3400385	8	WASHER, 3/8, BELLEVILLE
4	730878	8	BOLT, M10-1.50 X 30 HH SS
5	600544	2	MOUNT, BEARING
6	620083	2	IDLER, MAIN BROOM
7	712768	2	WSR-FLT .406 X 1.875 SS
8	730323	2	BOLT, M10-1.50 X 60 HH SS
9	730339	2	NUT, M10-1.50 ESN SS
10	730341	2	WELDMENT, BRUSH RETAINER
11	730613	4	PLT, ADJ
12	REFERENCE	1	SCRUB HEAD

## BRUSH DOOR GROUP (730115)



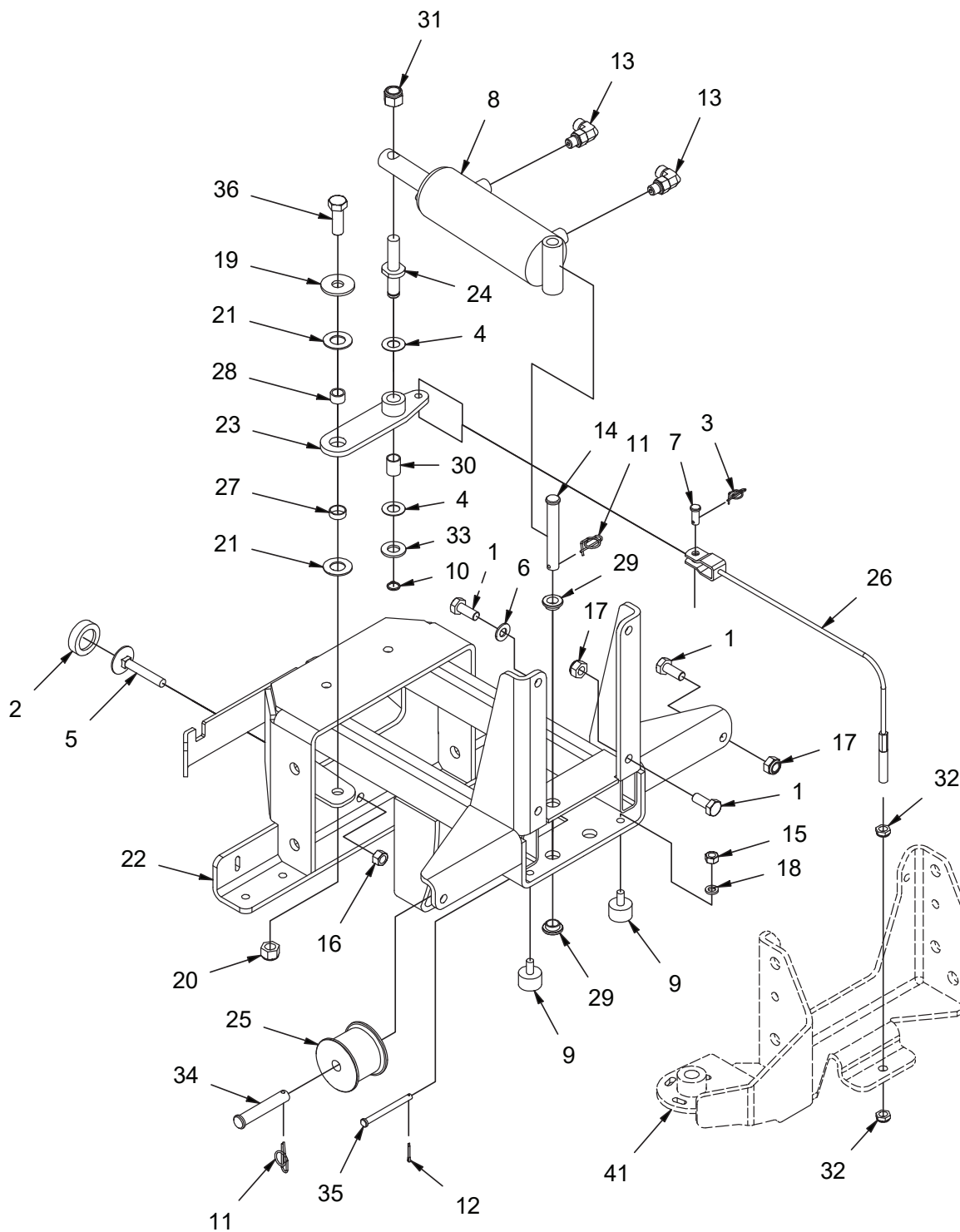
REV C



**BRUSH DOOR GROUP (730115)**

<b>Parts List - 730115</b>			
<b>ITEM</b>	<b>PART NO.</b>	<b>QTY</b>	<b>DESCRIPTION</b>
1	3300376	4	STUD, 10MM BALL
2	3400384	16	WASHER, 5/16 BELLEVILLE
3	600934	8	NUT, M8-1.25 FLNG
4	711555	1	LOCK WASHER, 3/8 INT STAR
5	712683	2	NUT, 5/16-18 ESN SS
6	730344	8	WASHER, M10 SS
7	730718	4	NUT, M10-1.50 HEX SS
8	730900	1	WELDMENT, LH BRUSH DOOR
9	730901	4	TUBING, STOP
10	730902	2	GAS STRUT, 8.77 EXT, 3.00 STK, 200N
11	730903	4	BOLT, M10-1.50 X 45 HH SS
12	730904	2	NUT, 5/16-18 HEX JAM SS
13	730905	16	SCREW, M8-1.25 X 20 BUTTON HD CAP SS
14	730906	4	HINGE' 5"
15	730952	1	WELDMENT, SSB DOOR
17	REFERENCE	1	FRAME
18	REFERENCE	1	FRAME
19	REFERENCE	1	FRAME
20	REFERENCE	1	FRAME

**SQUEEGEE LIFT GROUP (730119)**

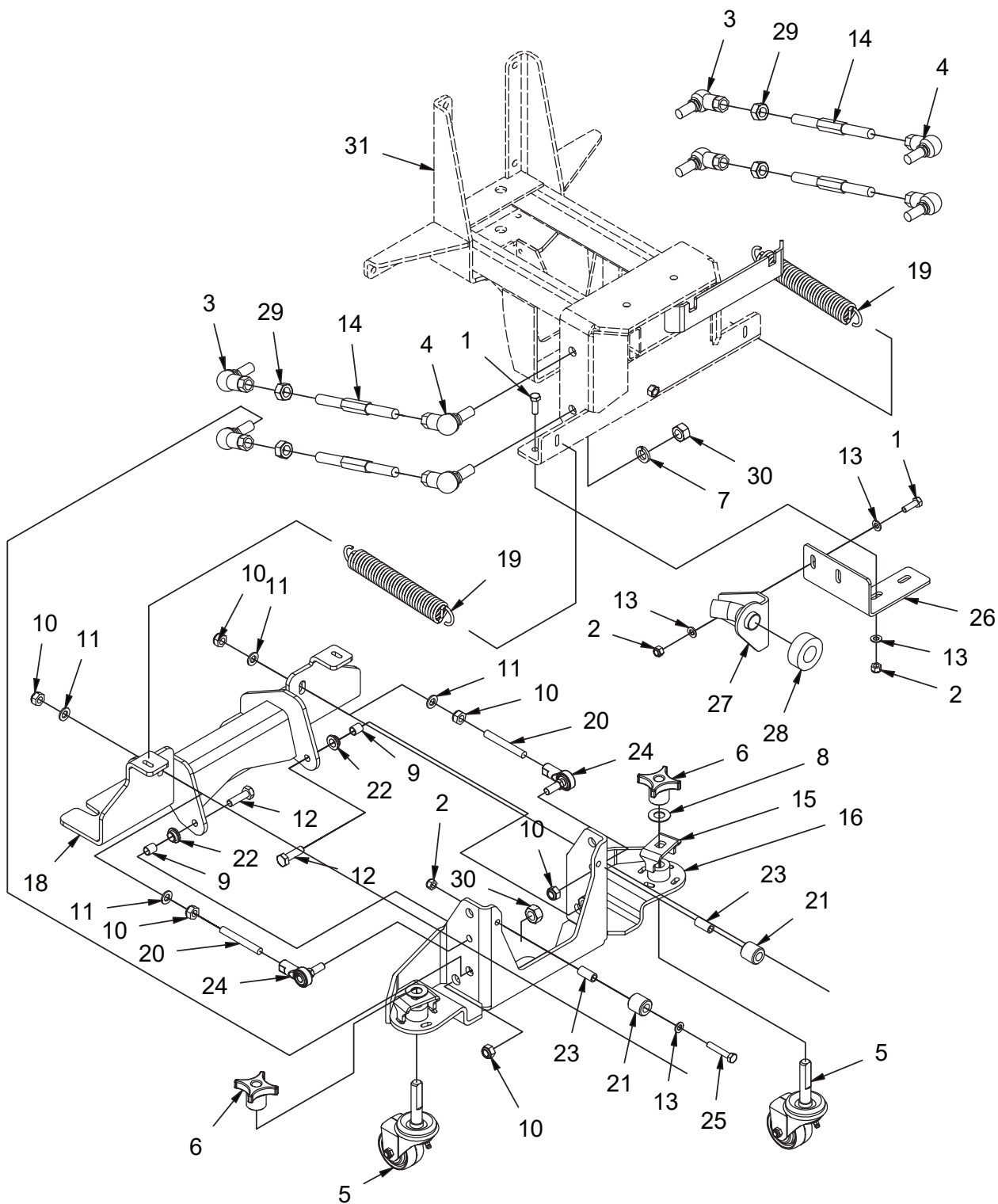


REV F

**SQUEEGEE LIFT GROUP (730119)**

<b>Parts List - 730119</b>			
<b>ITEM</b>	<b>PART NO.</b>	<b>QTY</b>	<b>DESCRIPTION</b>
1	11039328	6	BOLT, M10-1.50 X 25 HH SS
2	3304624	1	CAP, RUBBER BUMPER
3	3400125	1	RUE-RING, .375
4	3400178	2	WASHER, THRUST, .53 B 1.00 OD .03 T
5	3400355	1	SCR, LEVEL BOLT, 3/8-16 X 2.50
6	3400385	2	WASHER-CONICAL SPRING 3/8
7	450034	1	PIN, CLEVIS, .313 X .75
8	600106	1	CYLINDER
9	600220	2	BUMPER, 1.00 X .625 T
10	600569	1	RETAINING RING, EXT .50 HD
11	600578	2	RUE-RING, .50
12	620143	1	COTTERPIN, 5/64 X 1/2
13	675507	2	FITTING, 90, 4 ORFS - 4 SAE
14	712098	1	PIN, CLEVIS 1/2 X 3.50
15	712680	2	NUT, HEX 5/16-18 SS
16	712695	1	NUT, HEX 3/8-16 SS
17	730339	4	NUT, M10-1.50 ESN SS
18	730527	2	LOCK WASHER, MS, SS
19	730528	1	WASHER, .512 B 1.46 OD .118 T SS
20	730605	1	NUT, M12-1.75 ESN SS
21	730647	2	WASHER, THRUST, .66 B 1.25 OD .06 T
22	730724	1	WELDMENT, SOU LIFT
23	730738	1	WELDMENT, SOU LIFT ARM
24	730741	1	PIN, SOU LIFT
25	730745	1	PULLEY
26	730746	1	CABLE ASS EMBLY
27	730747	1	BEARING, DU .625 ID .25 L
28	730749	1	SPACER, .484 B .622 ID .390 T
29	730750	2	BUSHING, BRONZE, FLANGED. .50 B .62 OD .31 T
30	730752	1	FIBERGLIDE BEARING, .500 ID .750 T
31	730756	1	NUT, 1/2-13 ESN, SS
32	730757	2	NUT, 3/8-24 JAM ESN SS
33	730759	1	WASHER, 1/2, SS
34	730760	1	PIN, CLEVIS 1/2 X 2.75
35	730761	1	PIN, CLEVIS, .25 X .2.75
36	730762	1	BOLT, M12-1.75 X 35 HH SS

## CYLINDRICAL SQUEEGEE LINKAGE GROUP (730158)

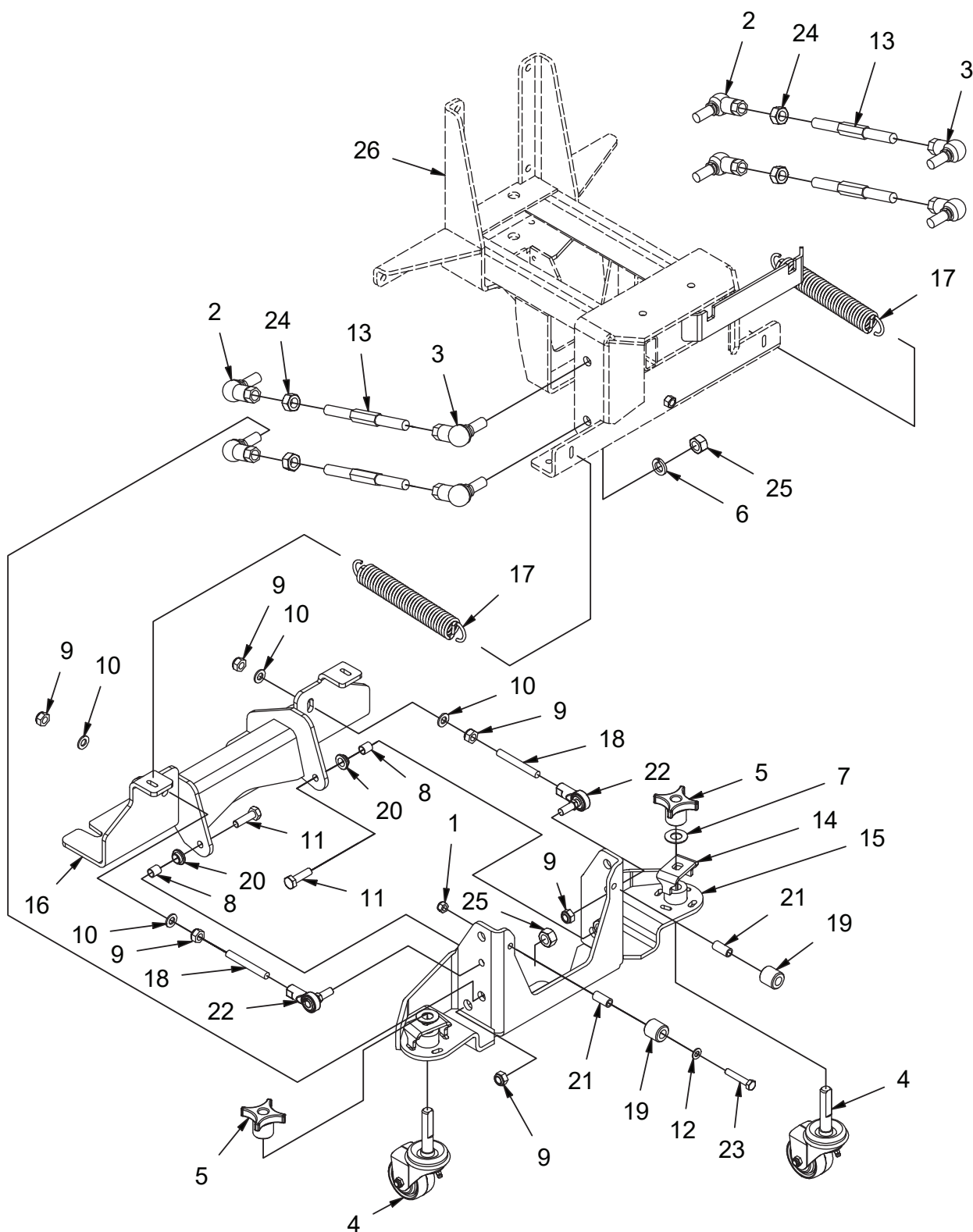


REV F

**CYLINDRICAL SQUEEGEE LINKAGE GROUP (730158)**

<b>Parts List - 730158</b>			
<b>ITEM</b>	<b>PART NO.</b>	<b>QTY</b>	<b>DESCRIPTION</b>
1	11039567	4	BOLT, M8-1.25 X 25 HH SS
2	12040259	6	NUT, M8-1.25 ESN SS
3	16046054	4	ROD END, M14 RH THRDS
4	16046062	4	ROD END, M14 LH THRDS
5	3343816	2	CASTER
6	3343819	2	KNOB
7	3400414	8	LOCK WASHER, 9/16 HS MED
8	3401543	2	WASHER-EXT 1/2 ZP RIP STYLE
9	600525	2	SPACER, .406 B .50 OD .57 T
10	730339	4	NUT, M10-1.50 ESN SS
11	730344	4	WASHER, M10 SS
12	730345	2	BOLT, M10-1.50 X 35 HH SS
13	730609	8	WASHER, M8 SS
14	730662	4	ROD, SQUEEGEE
15	730668	2	KEEPER, CASTER ADJUSTMENT
16	719244	1	WELDMENT, SOU BRACKET
17	730718	4	NUT, M10-1.50 HEX SS
18	730720	1	WELDMENT, SOU MNT
19	730742	2	SPRING, EXT, .160 W 1.25 OD 10.25 L SS
20	730743	2	ROD, TREADED, M10-1.50
21	730744	2	ROLLER, SOU
22	730750	2	BUSHING, BRONZE, FLG. .50 B .62 OD .31 T
23	730751	2	SPACER, .344 B .500 OD 1.06 T
24	730753	2	ROD END, M10-1.50
25	730754	2	BOLT, M8-1.25 X 45 HH SS
26	730839	1	BRACKET, ADJ
27	730847	1	WELDMENT, HOSE ADJ
28	730848	1	SEAL
29	731176	4	NUT, M14-1.50 HEX SS
30	PART OF ROD END	1	NUT, M14-1.50 HEX
31	REFERENCE	1	SQUEEGEE LIFT

## DISC SQUEEGEE LINKAGE GROUP (730158-D)

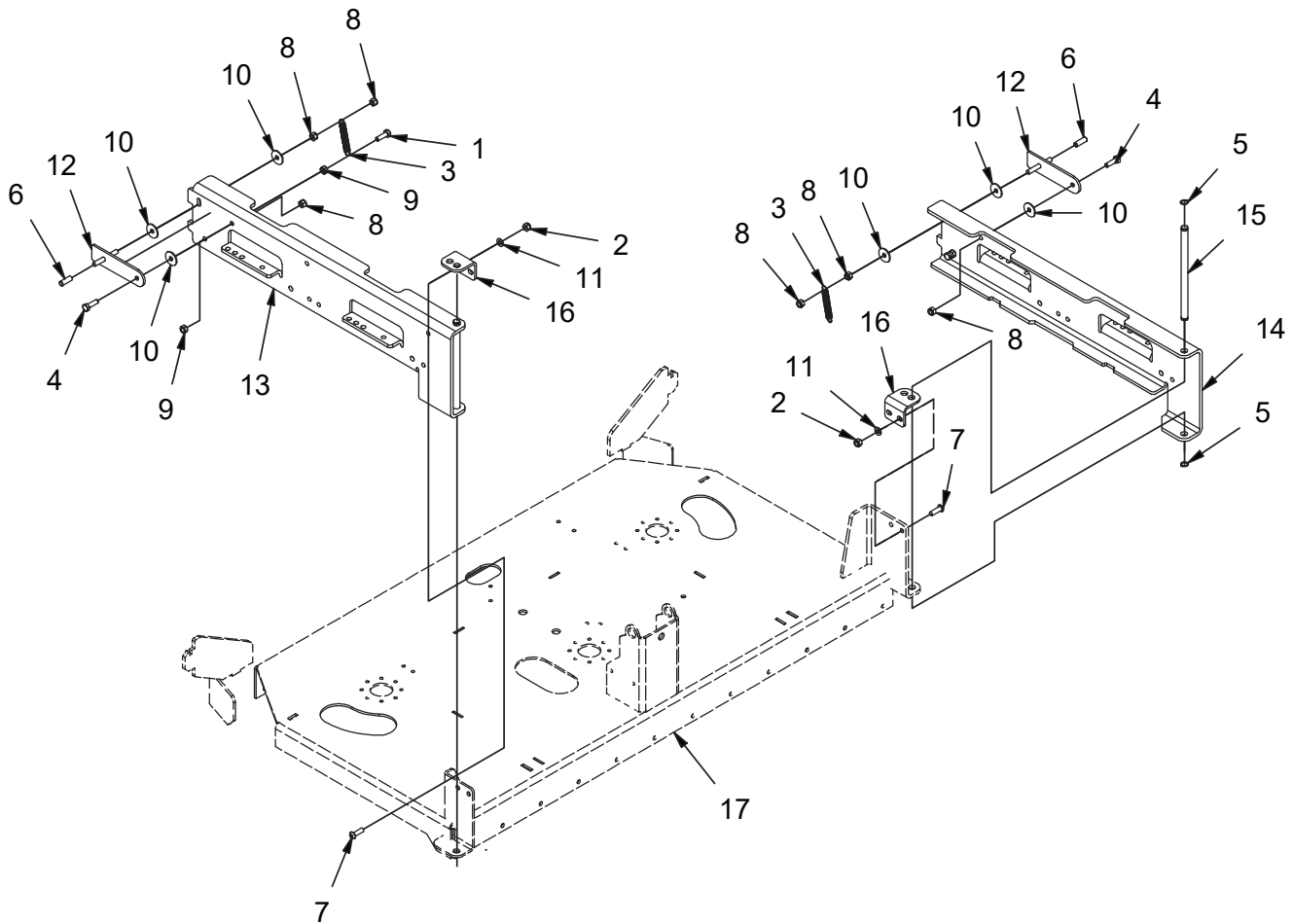


REV B

**DISC SQUEEGEE LINKAGE GROUP (730158-D)**

<b>Parts List - 730158-D</b>			
<b>ITEM</b>	<b>PART NO.</b>	<b>QTY</b>	<b>DESCRIPTION</b>
1	12040259	2	NUT-NYLOC M8 X 1.25 SS
2	16046054	4	JOINT-BALL RH M14X1.5
3	16046062	4	JOINT-BALL LH M14X1.5
4	3343816	2	CASTER-5/8-11 X 2.625
5	3343819	2	KNOB-HAND ALUMINUM
6	3400414	8	WASHER-LOCK 9/16 SPLIT ZP
7	3401543	2	WASHER-EXT 1/2 ZP RIP STYLE
8	600525	2	SPACER 1.25B 1.50OD 0.455T
9	730339	8	NUT-NYLOC M10-1.50 SS
10	730344	4	WASHER-FLAT M10 SS
11	730345	2	SCR-HH M10-1.50 X 35 SS
12	730609	2	WASHER-FLAT M8 SS
13	730662	4	ROD, SQUEEGEE
14	730668	2	KEEPER, CASTER ADJUSTMENT
15	719244	1	WELDMENT, SQU BRACKET DG
16	730720	1	WELDMENT, SQU MNT DG
17	730742	2	SPRING, EXT, .160 W 1.25 OD 10.25 L SS
18	730743	2	ROD, THREADED, M10-1.50
19	730744	2	ROLLER, SQU
20	730750	2	BUSHING, BRONZE, .50 B .62 OD .31 T
21	730751	2	SPACER, .344 B .500 OD 1.06 T
22	730753	2	ROD END, M10-1.50
23	730754	2	SCR-HH M8-1.25 X 45 SS
24	731176	4	NUT-HEX M14 - 1.5 SS
25	PART OF ROD END	1	NUT, M14-1.50 HEX
26	REFERENCE	1	SQUEEGEE LIFT

**DISC SIDE SQUEEGEE MOUNT GROUP (730193)**



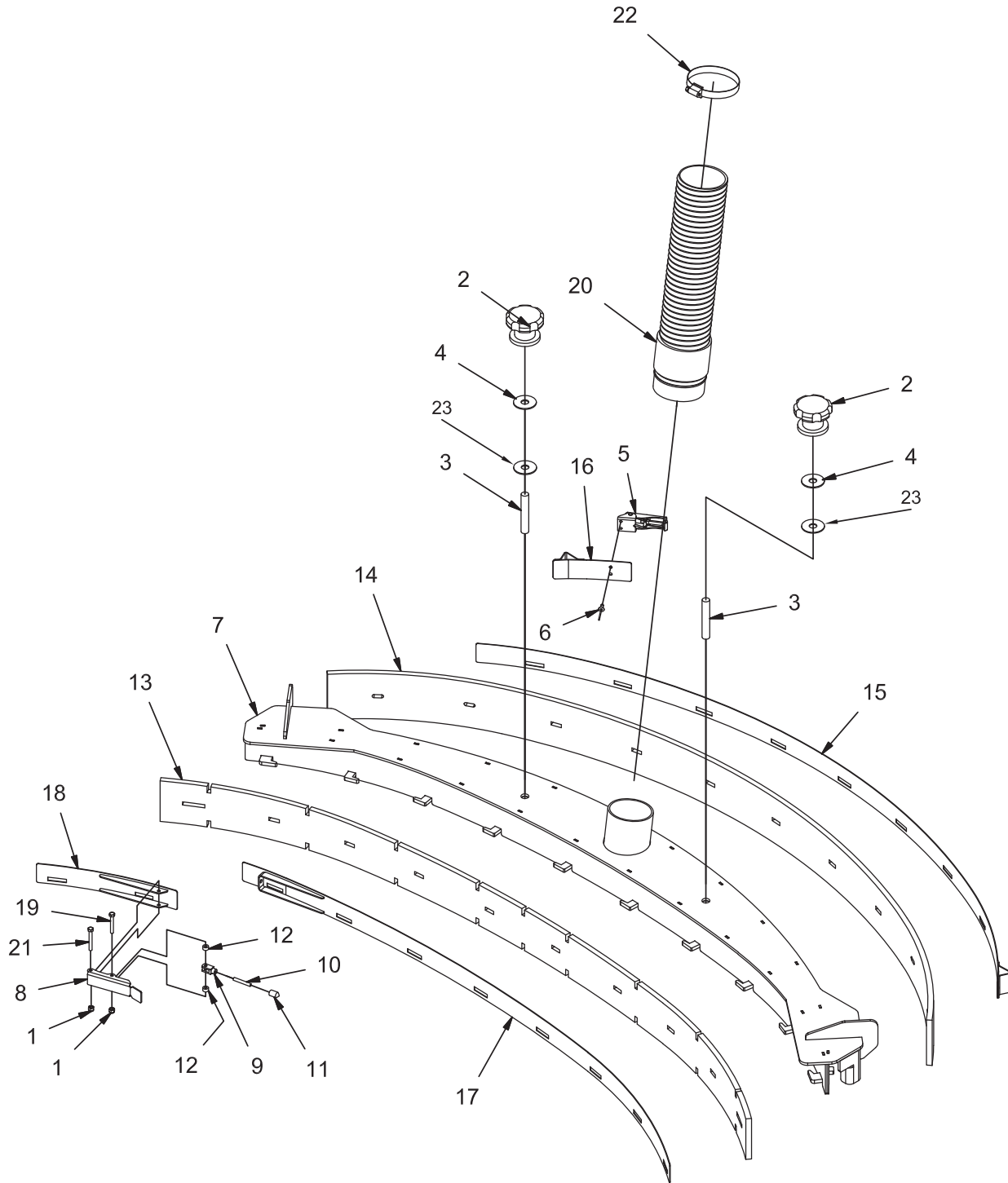
REV A



**DISC SIDE SQUEEGEE MOUNT GROUP (730193)**

<b>Parts List - 730193</b>			
<b>ITEM</b>	<b>PART NO.</b>	<b>QTY</b>	<b>DESCRIPTION</b>
1	11039567	2	SCR-HH M8-1.25 X 25 SS
2	12040259	4	NUT-NYLOC M8 X 1.25 SS
3	3304160	2	SPRING-EXTENTION, 2.00 LG
4	3400318	2	SCR-HH 5/16-18 X 1.00 SS
5	600569	4	RET RING-EXT .50 HD
6	600910	2	CAP, .313 X 1" VINYL BLACK
7	600917	4	SCR-BHSCS M8-1.25 X 25 SS
8	712683	6	NUT-NYLOC 5/16-18 SS
9	717029	4	NUT-HEX M8 X 1.25 SS
10	730526	6	WASHER-FENDER M8 X 24 SS
11	730609	4	WASHER-FLAT M8 SS
12	730622	2	WELDMENT, DOOR LATCH
13	730626	1	SQU MNT CHANNEL, RH SS
14	730627	1	SQU MNT CHANNEL, LH SS
15	730642	2	SHAFT, .50 D X 8.00 L
16	731131	2	HINGE, ADJ, SS
17	REFERENCE	1	DISC SCRUB HEAD

## SQUEEGEE GROUP (730118)

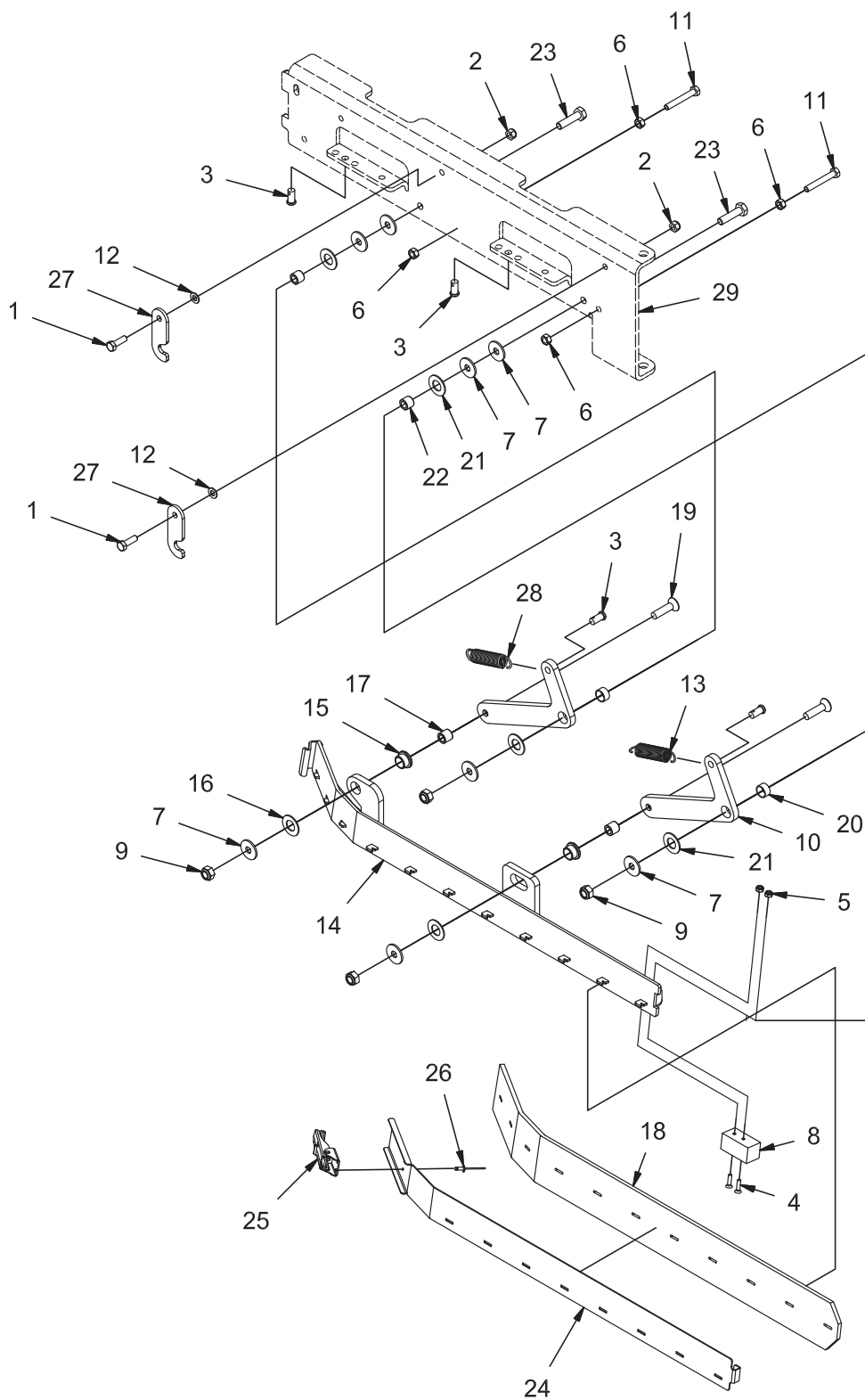


REV F

**SQUEEGEE GROUP (730118)**

<b>Parts List - 730118</b>			
<b>ITEM</b>	<b>PART NO.</b>	<b>QTY</b>	<b>DESCRIPTION</b>
1	12040283	2	NUT, M5 - 0.8 ESN SS
2	3343814	2	KNOB
3	3343903	2	STUD, 1/2-13 X 3.00 SS
4	3400091	2	WASHER-FENDER 1/2 X 2.00 ZP
5	730652	1	LATCH, UNDER CENTER
6	730654	2	RIVET,BLIND, .156 D X .062 - .125 GRIP SS
7	730764	1	WELDMENT, SQUEEGEE
8	730780	1	LATCH, BODY
9	730781	1	CLEVIS, M5-0.8
10	730782	1	ROD, M5-0.8
11	730783	1	ROD, NOSE
12	730784	2	SPACER, .203 B .375 OD .210 T
13	730787	1	SQUEEGEE BLADE, FRONT
14	730788	1	SQUEEGEE BLADE, REAR
15	730791	1	WELDMENT, REAR RETAINER
16	730796	1	WELDMENT, REAR RETAINER, SHORT
17	730798	1	WELDMENT, FRONT RETAINER
18	730800	1	WELDMENT, FRONT RETAINER, SHORT
19	730802	1	BOLT, M5-0.8 X 35 HH SS
20	730985	1	ASSEMBLY, LOWER SQU HOSE
21	731130	1	BOLT, M5-0.8 X 40 HH SS
22	731144	1	CLAMP, HOSE, 2.25 - 3.25
23	730992	2	WASHER-RUBBER .53 ID x 2.00 OD x .25 THK

## CYLINDRICAL SIDE SQUEEGEE GROUP - RH (730120)

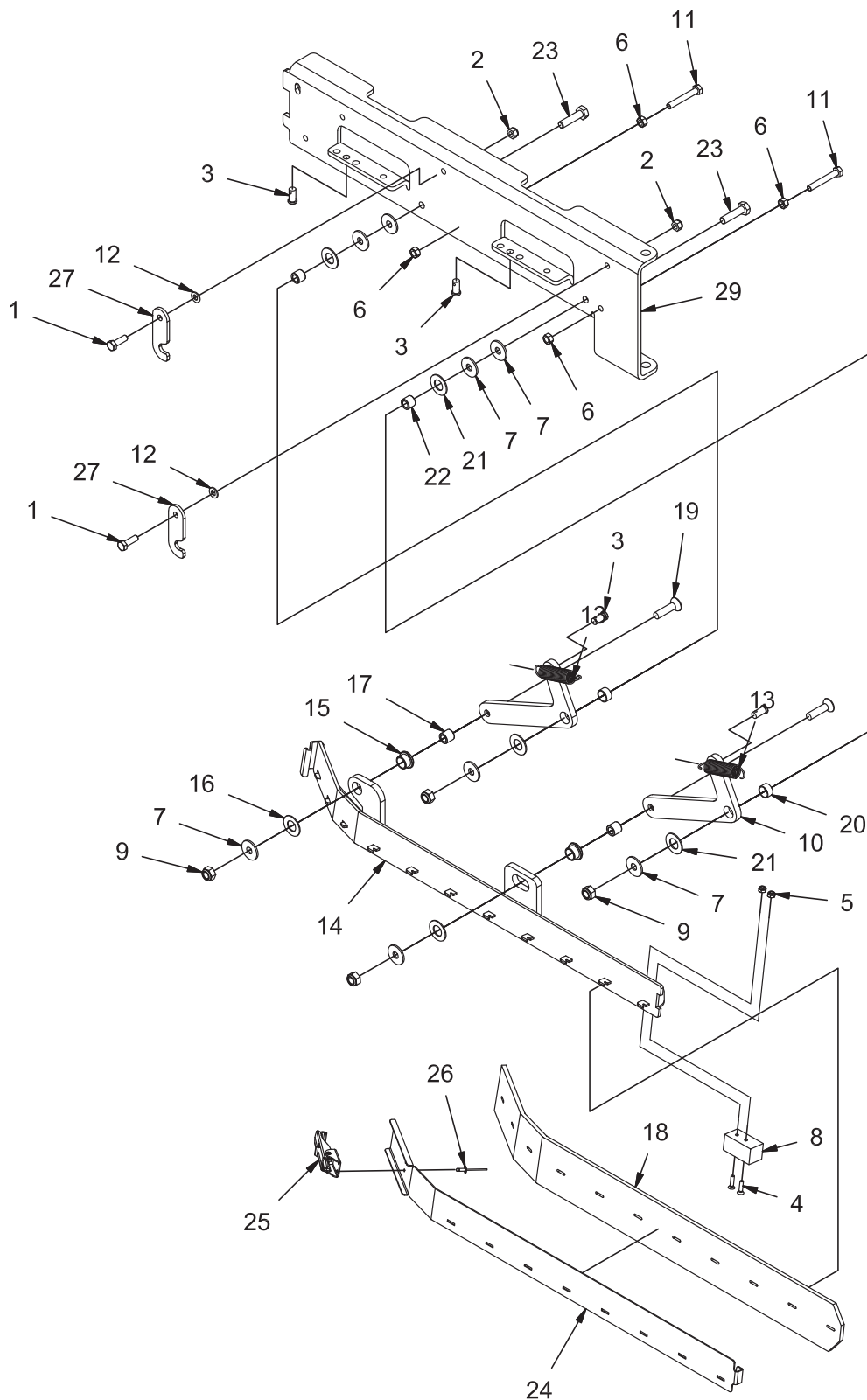


REV C

**CYLINDRICAL SIDE SQUEEGEE GROUP - RH (730120)**

<b>Parts List - 730120</b>			
<b>ITEM</b>	<b>PART NO.</b>	<b>QTY</b>	<b>DESCRIPTION</b>
1	11039567	2	BOLT, MB-1.25 X 25 HH SS
2	12040259	2	NUT, MB-1.25 ESN SS
3	711679	4	PIN, CLEVIS, .375 X .75
4	712544	2	SCR-FHMS 10-24 X 3/4 SS
5	712638	2	NUT-NYLOC 10-24 SS
6	717029	4	NUT, MB-1.25 SS
7	717040	8	WASHER, FENDER, .413 B 1.18 OD .098 T SS
8	730063	1	BLOCK, SIDE SQUEEGEE SLIDER
9	730339	4	NUT, M10-1.50 ESN SS
10	730346	2	ARM, SIDE SQU, RH
11	730507	2	BOLT, MB-1.25 X 55 HH SS
12	730609	2	WASHER, MB SS
13	730619	1	SPRING, EXT, .07 W .75 OD 3.50 L SS
14	730630	1	WELDMENT, SQU MNT, RH
15	730640	2	BUSHING, BRONZE FLANGED, .62 B .75 OD .50T
16	730641	2	WASHER, BACKED THRUST .66 B 1.25 OD .06 T
17	730643	2	SPACER, .406 B .623 OD .570 T SS
18	730644	1	SQUEEGEE, SIDE
19	730645	2	SCREW, M10-1.50 X 40 FLAT HD SOC HD SS
20	730646	2	BEARING, DU, .63 B .72 OD .38 T
21	730647	4	WASHER, THRUST, .66 B 1.25 OD .06 T
22	730648	2	SPACER, .406 B .624 OD .515 T SS
23	730649	2	BOLT, M10-1.50 X 40 HH SS
24	730650	1	STRAP, RH SQU
25	730652	1	LATCH, UNDER CENTER
26	730654	2	RIVET.BLIND, .156 D X .062 - .125 GRIP SS
27	730990	2	LATCH, DOUBLE SCRUB
28	731183	1	SPRING, EXT, .09 W .75 OD 3.50 L SS
29	REFERENCE	1	SQUEEGEE MOUNT CHANNEL, RH

## DISC SIDE SQUEEGEE GROUP - RH (730120-D)

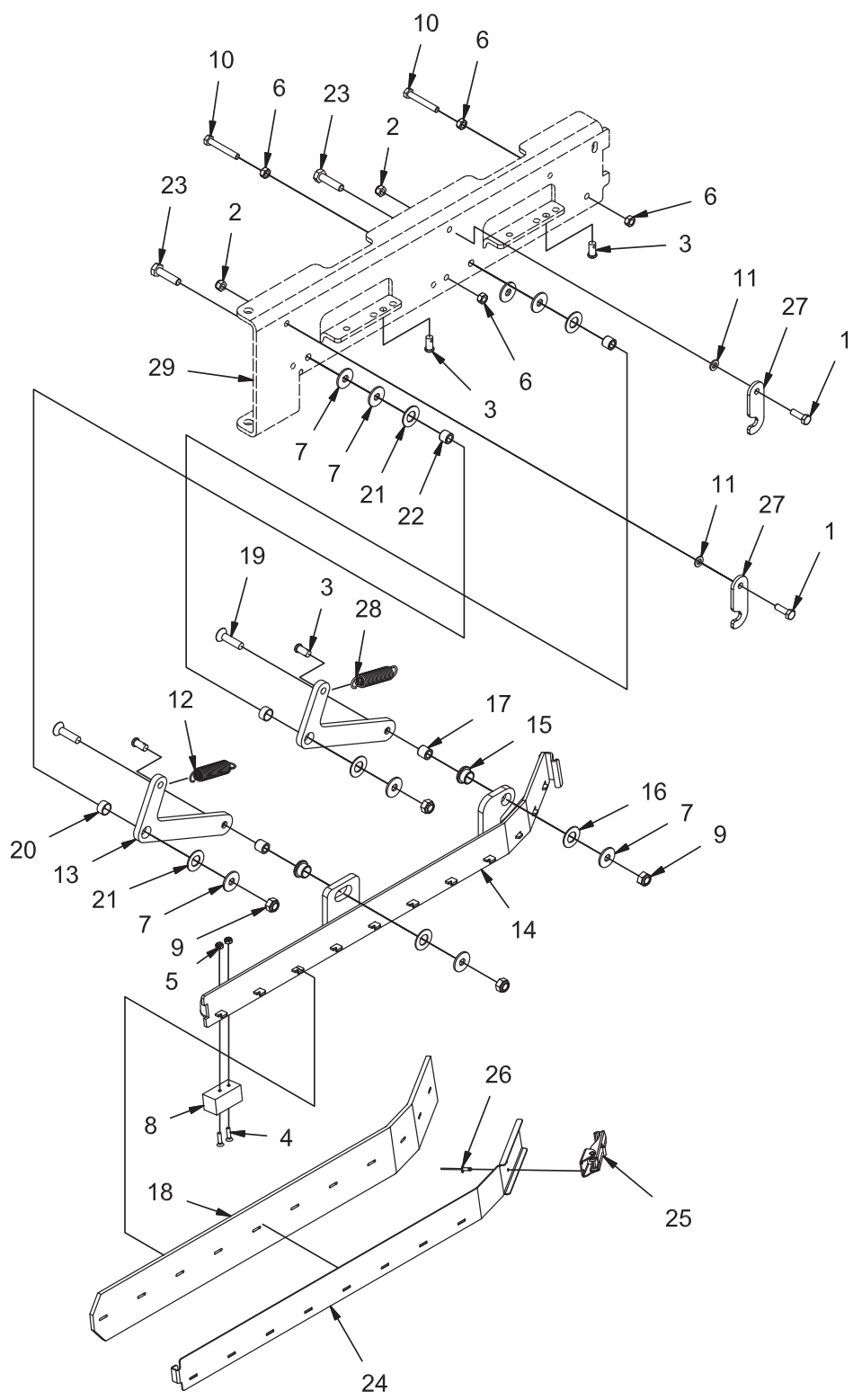


REV A

**DISC SIDE SQUEEGEE GROUP - RH (730120-D)**

<b>Parts List - 730120-D</b>			
<b>ITEM</b>	<b>PART NO.</b>	<b>QTY</b>	<b>DESCRIPTION</b>
1	11039567	2	SCR-HH M8-1.25 X 25 SS
2	12040259	2	NUT-NYLOC M8 X 1.25 SS
3	711679	4	PIN-CLEVIS 3/8 X .750 ZP
4	712544	2	SCR-FHMS 10-24 X 3/4 SS
5	712638	2	NUT-NYLOC 10-24 SS
6	717029	4	NUT-HEX M8 X 1.25 SS
7	717040	8	WASHER-FLAT M10.5 X 30 X 2.5 SS
8	730063	1	BLOCK, SIDE SQUEEGEE SLIDER
9	730339	4	NUT-NYLOC M10-1.50 SS
10	730346	2	ARM, SIDE SQU, RH BLK
11	730507	2	SCR-HH M8-1.25 X 55 SS
12	730609	2	WASHER-FLAT M8 SS
13	730619	2	SPRING, EXT, .07 W .75 OD 3.50 L SS
14	730630	1	WELDMENT, SQU MNT, RH SS
15	730640	2	BUSHING, BRONZE FLANGED, .62B .75OD .50T
16	730641	2	WASHER, BACKED THRUST, .66B 1.25OD .06T
17	730643	2	SPACER, .406 X .623OD .575T SS
18	730644	1	Squeegee, Side, Linatex, Nautilus
19	730645	2	SCR-FHSCS M10-1.50 X 40 SS
20	730646	2	BEARING, DU, .63B .72OD .38T
21	730647	4	WASHER, THRUST, .66B 1.25OD .06T
22	730648	2	SPACER, .406 X .624OD .515T SS
23	730649	2	SCR-HH M10-1.50 X 40 SS
24	730650	1	STRAP, RH SQU
25	730652	1	LATCH, UNDER CENTER
26	730654	2	RIVET-BLIND 5/32 .125 GRIP SS
27	730990	2	LATCH, DOUBLE SCRUB SS
29	REFERENCE	1	SQUEEGEE MOUNT CHANNEL, RH

## CYLINDRICAL SIDE SQUEEGEE GROUP - LH (730157)



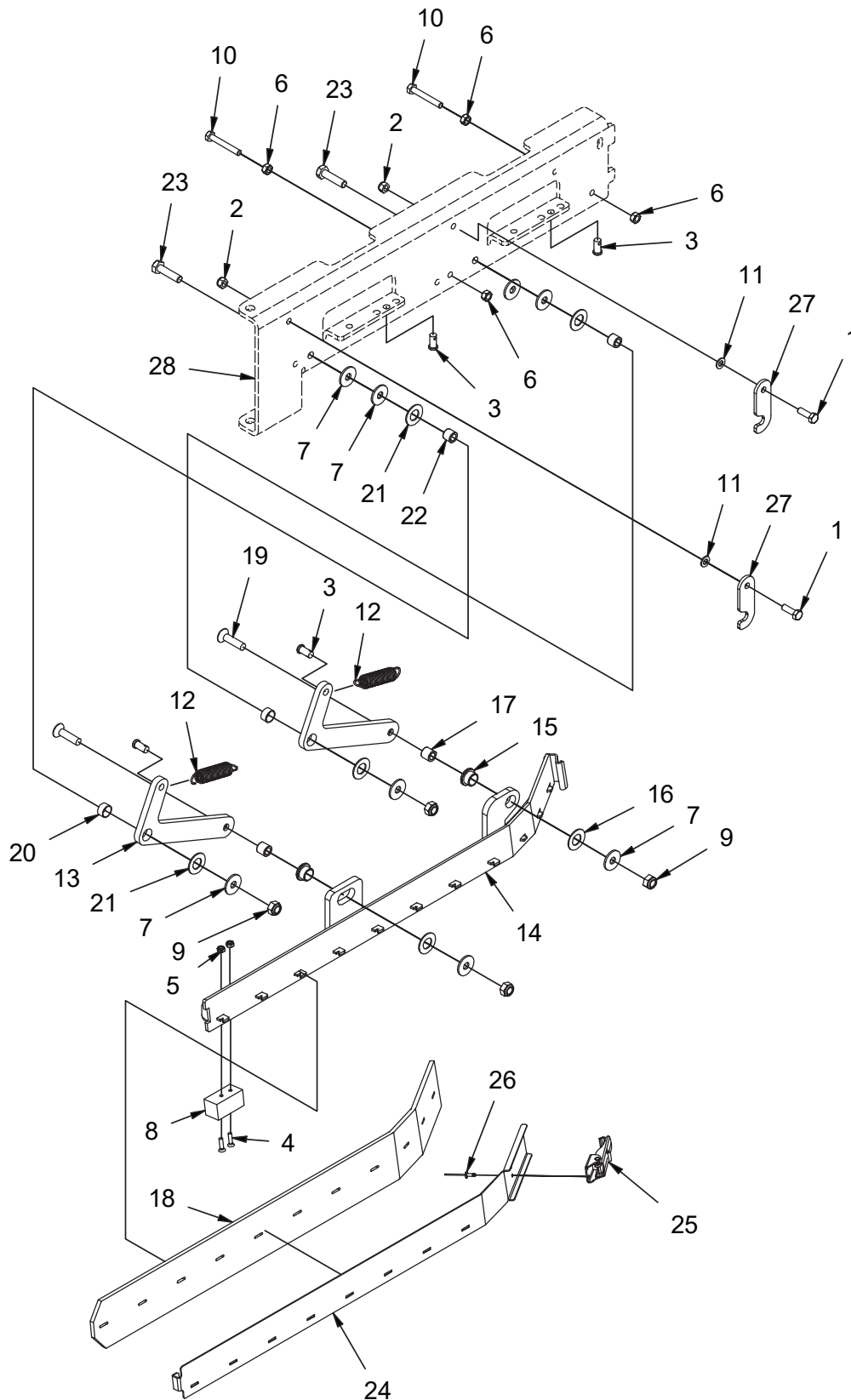
REV C



**CYLINDRICAL SIDE SQUEEGEE GROUP - LH (730157)**

<b>Parts List - 730157</b>			
<b>ITEM</b>	<b>PART NO.</b>	<b>QTY</b>	<b>DESCRIPTION</b>
1	11039567	2	BOLT, M8-1.25 X 25 HH SS
2	12040259	2	NUT, M8-1.25 ESN SS
3	711679	4	PIN, CLEVIS, .375 X .75
4	712544	2	SCR-FHMS 10-24 X 3/4 SS
5	712638	2	NUT-NYLOC 10-24 SS
6	717029	4	NUT, M8-1.25 SS
7	717040	8	WASHER, FENDER, .413 B 1.18 OD .098 T SS
8	730063	1	BLOCK, SIDE SQUEEGEE SLIDER
9	730339	4	NUT, M10-1.50 ESN SS
10	730507	2	BOLT, M8-1.25 X 55 HH SS
11	730609	2	WASHER, M8 SS
12	730619	1	SPRING, EXT, .07 W .75 OD 3.50 L SS
13	730620	2	ARM, SIDE SQU, LH
14	730637	1	WELDMENT, SQU MNT, LH
15	730640	2	BUSHING, BRONZE FLANGED, .62 B .75 OD .SOT
16	730641	2	WASHER, BACKED THRUST .66 B 1.25 OD .06 T
17	730643	2	SPACER, .406 B .623 OD .570 T SS
18	730644	1	SQUEEGEE, SIDE
19	730645	2	SCREW, M10-1.50 X 40 FLAT HD SOC HD SS
20	730646	2	BEARING, DU, .63 B .72 OD .38 T
21	730647	4	WASHER, THRUST, .66 B 1.25 OD .06 T
22	730648	2	SPACER, .406 B .624 OD .515 T SS
23	730649	2	BOLT, M10-1.50 X 40 HH SS
24	730651	1	STRAP, LH SQU
25	730652	1	LATCH, UNDER CENTER
26	730654	2	RIVET.BLIND, .156 D X .062 - .125 GRIP SS
27	730990	2	LATCH, DOUBLE SCRUB
28	731183	1	SPRING, EXT, .09 W .75 OD 3.50 L SS
29	REFERENCE	1	SQUEEGEE MOUNT CHANNEL, LH

## DISC SIDE SQUEEGEE GROUP - LH (730157-D)

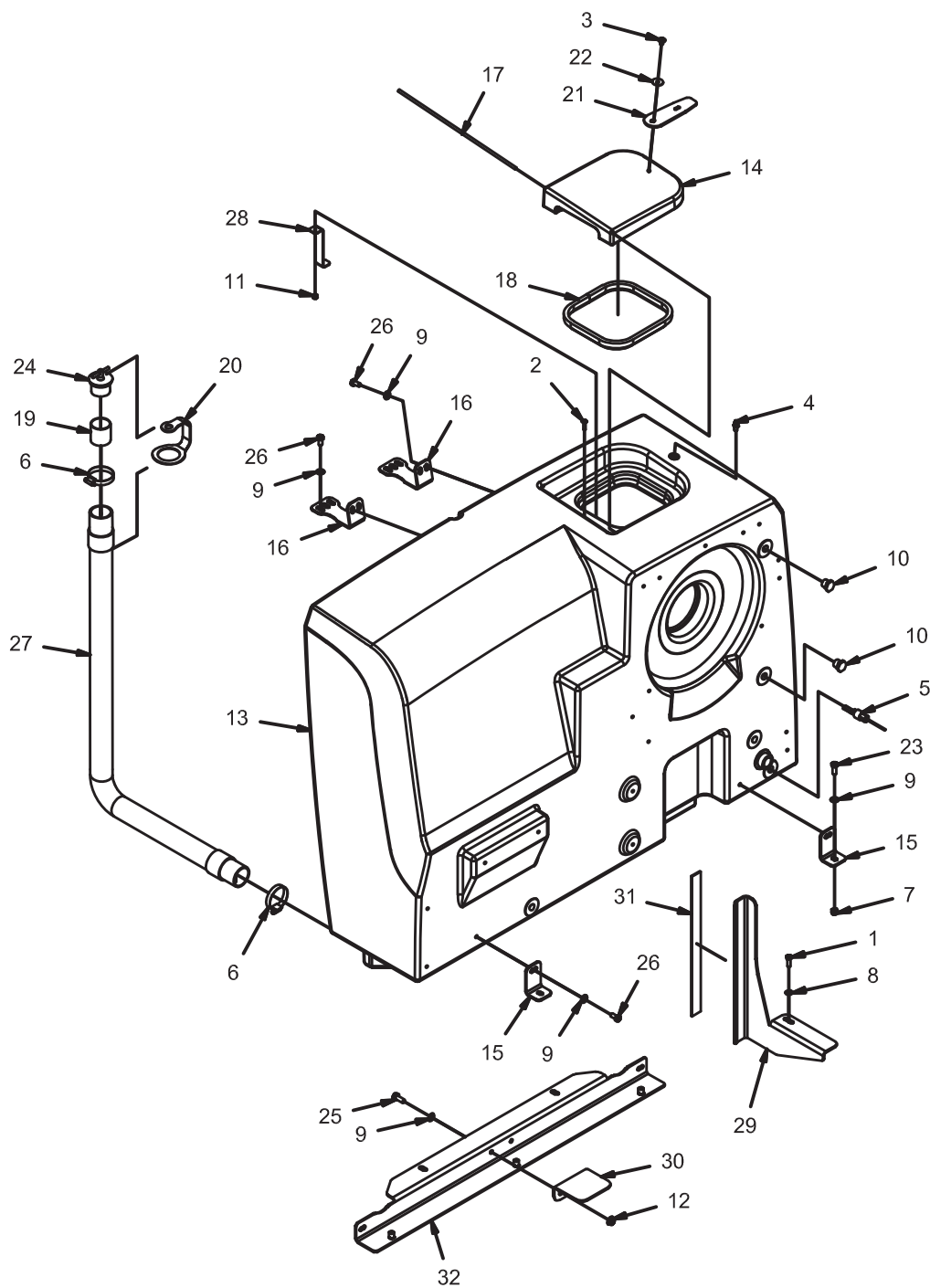


REV A

**DISC SIDE SQUEEGEE GROUP - LH (730157-D)**

<b>Parts List - 730157-D</b>			
<b>ITEM</b>	<b>PART NO.</b>	<b>QTY</b>	<b>DESCRIPTION</b>
1	11039567	2	SCR-HH M8-1.25 X 25 SS
2	12040259	2	NUT-NYLOC M8 X 1.25 SS
3	711679	4	PIN-CLEVIS 3/8 X .750 ZP
4	712544	2	SCR-FHMS 10-24 X 3/4 SS
5	712638	2	NUT-NYLOC 10-24 SS
6	717029	4	NUT-HEX M8 X 1.25 SS
7	717040	8	WASHER-FLAT M10.5 X 30 X 2.5 SS
8	730063	1	BLOCK, SIDE SQUEEGEE SLIDER
9	730339	4	NUT-NYLOC M10-1.50 SS
10	730507	2	SCR-HH M8-1.25 X 55 SS
11	730609	2	WASHER-FLAT M8 SS
12	730619	2	SPRING, EXT, .07 W .75 OD 3.50 L SS
13	730620	2	ARM, SIDE SQU, LH BLK
14	730637	1	WELDMENT, SQU MNT, LH SS
15	730640	2	BUSHING, BRONZE FLANGED, .62B .75OD .50T
16	730641	2	WASHER, BACKED THRUST, .66B 1.25OD .06T
17	730643	2	SPACER, .406 X .623OD .575T SS
18	730644	1	Squeegee, Side, Linatex, Nautilus
19	730645	2	SCR-FHSCS M10-1.50 X 40 SS
20	730646	2	BEARING, DU, .63B .72OD .38T
21	730647	4	WASHER, THRUST, .66B 1.25OD .06T
22	730648	2	SPACER, .406 X .624OD .515T SS
23	730649	2	SCR-HH M10-1.50 X 40 SS
24	730651	1	STRAP, LH SQU SS
25	730652	1	LATCH, UNDER CENTER
26	730654	2	RIVET-BLIND 5/32 .125 GRIP SS
27	730990	2	LATCH, DOUBLE SCRUB SS
28	REFERENCE	1	SQUEEGEE MOUNT CHANNEL, LH

## SOLUTION TANK GROUP (730121)

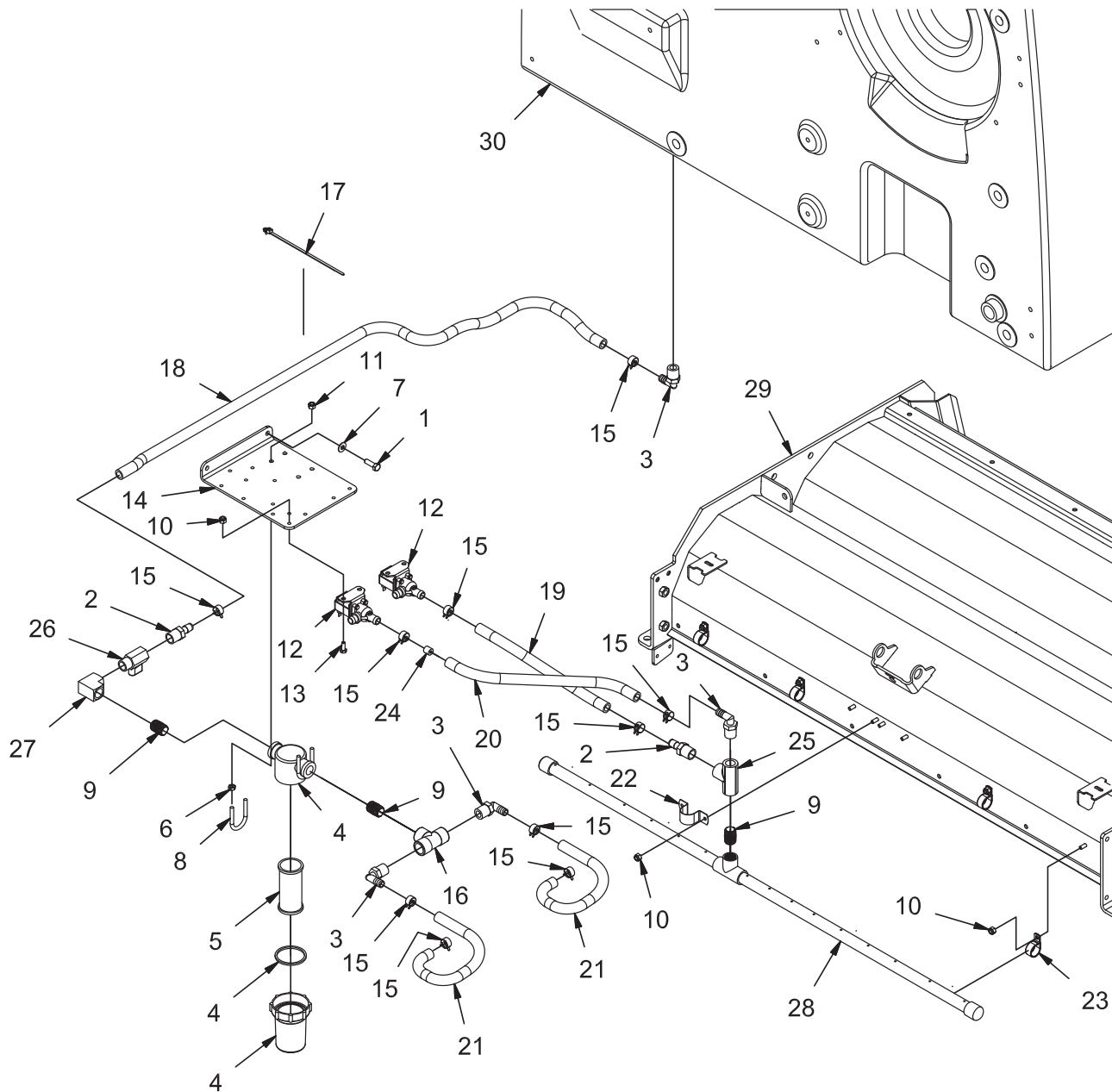


REV G

**SOLUTION TANK GROUP (730121)**

<b>Parts List - 730121</b>			
<b>ITEM</b>	<b>PART NO.</b>	<b>QTY</b>	<b>DESCRIPTION</b>
1	11038247	1	SCR-HH M8-1.25 X 25 ZP CLASS 8.8
2	11177161	1	SC-BHCS W/ FLANGE M6 X 1.0 X 25 304SS
3	11177253	1	SC-BHCS W/ FLANGE M8 X 1.25 X 12 304SS
4	3300376	1	STUD-BALL GAS SPR 5/16-18 THRD .391DIA.
5	3302737-1	1	WIRE ASY, SWITCH-LEVEL LS7
6	3312189	2	CLAMP-HOSE 2" NOMINAL SS WORM
7	3400340	2	NUT-NYLOC 3/8-16 SS
8	3400384	1	WASHER-CONICAL SPRING 5/16
9	3400385	10	WASHER-CONICAL SPRING 3/8
10	500122	2	FTG-PLUG HEX 1/2
11	600933	1	NUT-NYLOC M6-1.00 SS
12	600936	2	NUT-FLANGE WIZZ M10-1.50 ZP GR 8
13	730458	1	TANK, SOLUTION, ORANGE
	730458BR		TANK, SOLUTION, BURGUNDY
14	730480	1	COVER, ACCESS, SOLUTION TANK, ORANGE
	730480BR		COVER, ACCESS, SOLUTION TANK, BURGUNDY
15	730491	2	BRACKET, TANK MOUNT ZP
16	730492	2	BRACKET, TANK MOUNT ZP
17	730493	1	ROD, SOL COVER
18	730494	1	SEAL, SOL COVER
19	730518	1	TUBE, SS
20	730520	1	LANYARD, CAP
21	730525	1	RETAINER, COVER
22	730526	1	WASHER-FENDER M8 X 24 SS
23	730529	2	SCR-HH 3/8-16 X 1.00 SS
24	730531	1	PLUG, EXPANSION, 1.88
25	730958	2	SCR-HH M10-1.50 X 25 SS FULL THREAD
26	730959	6	SCR-HH 3/8-16 X .75 SS
27	730987	1	ASSEMBLY, SOLUTION DRAIN HOSE
28	731184	1	INDICATOR, FULL TANK
29	731273-1	1	ASSY - BRACKET, SUPPORT W/FRICTION STRIP
30	731506	1	SUPPORT, ANGLE
31	PART OF 731273-1	1	FRICTION STRIP 281470-1
32	REFERENCE	1	SUPPORT BEAM

## SOLUTION CONTROL GROUP (730123)

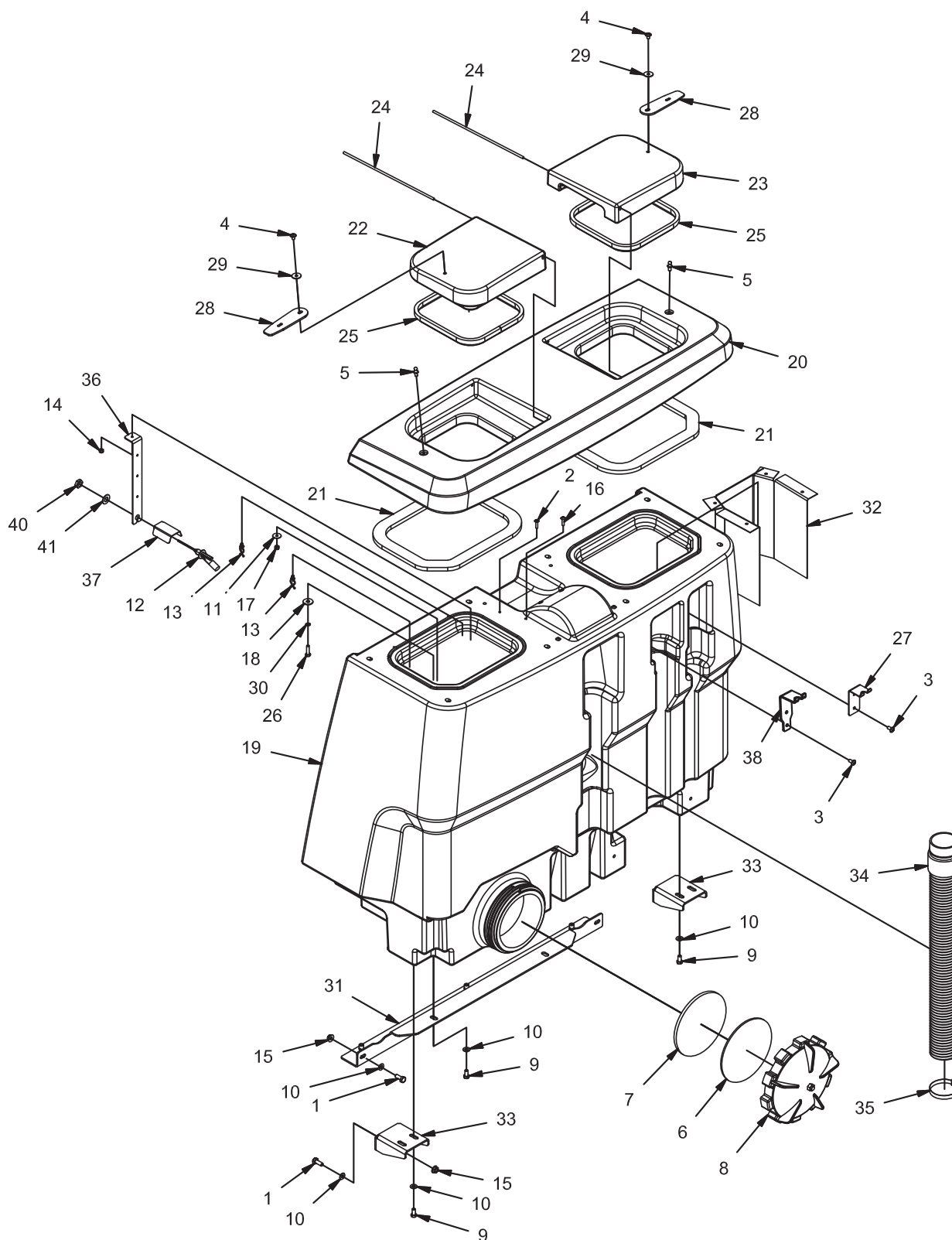


REV J

**SOLUTION CONTROL GROUP (730123)**

<b>Parts List - 730123</b>			
<b>ITEM</b>	<b>PART NO.</b>	<b>QTY</b>	<b>DESCRIPTION</b>
1	11038247	2	BLT-HHM8-1.25X25STLZINC
2	3315534	2	FITTING,PLASTIC,STR,.50NPT.50BARB
3	3315535	4	FITTING,PLASTIC,90,.50NPT.50BARB
4	3323501	1	FILTERASSEMBLY
5	3332264	1	FILTERELEMENT-SERVICE
6	3400071	4	NUT-HEX 1/4-20 ZP GR 5
7	3400384	2	WASHER,516BELLEVILLE
8	3401981	2	CLAMP
9	383465	3	12 NPT CLOSE PIPE NIPPLE, BRASS
10	600933	10	NUT,M6-1.00ESNSS
11	712667	4	NUT,FIBERINSERT14-20SS
12	730899	2	VALVE,SOLENOID,12-VW.406DIA.ORIFICE
13	730934	4	BOLT,M6-1.00X16HHSS
14	730955	1	BRACKET,FILTERMNT
15	730962	10	CLAMP,WIREHOSE
16	730966	1	FITTING,PVC TEE,FEMALE 12 NPT
17	730968	4	TIE,MOUNTEDCABLE
18	730970	1	TUBING,.50IDX51.00VINYL
19	730971	1	TUBING,.50IDX18.50VINYL
20	730972	1	TUBING,.50IDX20.75VINYL
21	730973	2	TUBING,.50IDX14.00VINYL
22	730974	1	CLAMP,CONDUIT,1"
23	731218	4	CLAMP,.88HOSE
24	731244	1	ORIFICE,SOLUTION
25	731309	1	FTG-TEE FEMALE 1/2 NPT X 1/2 X 1/2 PVC
26	731378	1	BALL VALVE,12"NPT,BRASS
27	731380	1	FITTING,ELBOW,12"FNPT,BRASS
28	731389	1	SOLUTION DELIVERY BAR
29	REFERENCE	1	SCRUB HEAD
30	REFERENCE	1	SOLUTION TANK

RECOVERY TANK GROUP (730122)



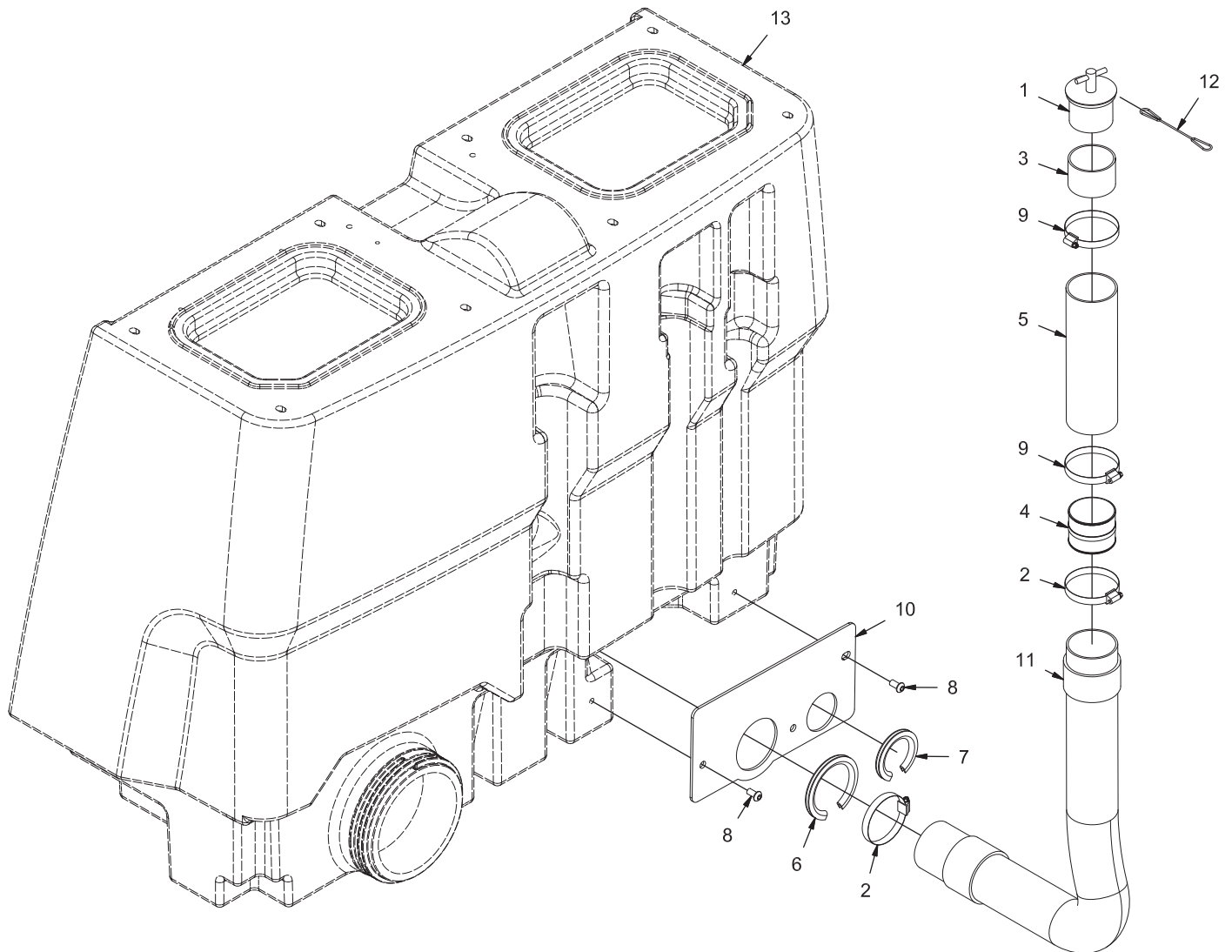
REV J



**RECOVERY TANK GROUP (730122)**

<b>Parts List - 730122</b>			
<b>ITEM</b>	<b>PART NO.</b>	<b>QTY</b>	<b>DESCRIPTION</b>
1	11039328	6	SCR-HH M10-1.50 X 25 SS DIN 933
2	11177161	1	SC-BHCS W/ FLANGE M6 X 1.0 X 25 304SS
3	11177187	4	SC-BHCS W/ FLANGE M8 X 1.25 X 16 304SS
4	11177253	2	SC-BHCS W/ FLANGE M8 X 1.25 X 12 304SS
5	3300376	2	STUD-BALL GAS SPR 5/16-18 THRD .391DIA.
6	3309098	1	PLT-BACKING FOR 9" CAP GASKET
7	3315258	1	GASKET-9" PLASTIC CAP
8	3336811	1	ASSY- CAP, SOL / REC, 9"
9	3400335	4	SCR-HH 3/8-16 X .75 SS
10	3400385	10	WASHER-CONICAL SPRING 3/8
11	3401052	6	WASHER-FENDER 1/4 X 1.00 SS
12	500133-1	1	WIRE ASSY, SWITCH-FLOAT
13	600581	2	CLAMP WIRE CLIP, PURSE-LOCK .60
14	600933	1	NUT-NYLOC M6-1.00 SS
15	600936	6	NUT-FLANGE WIZZ M10-1.50 ZP CLASS 8
16	712541	6	SCR-THMS 1/4-20 X 1.00 SS
17	712667	6	NUT-NYLOC 1/4-20 SS
18	717040	8	WASHER-FLAT M10.5 X 30 X 2.5 SS
19	730490	1	TANK, RECOVERY
20	730495	1	DEMISTER
21	730496	2	SEAL, DEMISTER
22	730497	1	COVER, LH REC TANK
23	730503	1	COVER, RH REC TANK
24	730504	2	ROD, REC COVER
25	730505	2	SEAL, REC COVER
26	730506	8	SCR-HH M8-1.25 X 30 SS
27	730519	1	RETAINER, SOL HOSE ZP
28	730525	2	RETAINER, COVER
29	730526	2	WASHER-FENDER M8 X 24 SS
30	730527	8	WASHER-LOCK M8 SS
31	730803-1	1	ASSEMBLY, SUPPORT BEAM
32	730804	1	DEFLECTOR FLAP
33	730805	2	WELDMENT, TANK BRACKET BLK
34	730984	1	ASSEMBLY, SQUEEGEE HOSE
35	731144	1	CLAMP - SCREW 2.25 to 3.25 DIA 201SS
36	731185	1	REC TANK FLOAT SW MNT
37	731415	1	GUARD, FLOAT
38	731528	1	RETAINER, RECOVERY HOSE
39	748433	1	RECOVERY TANK FLOAT SWITCH HARNESS
40	PART OF 500133	1	NUT
41	PART OF 500133	1	GASKET

## RECOVERY TANK DRAIN GROUP (730179)

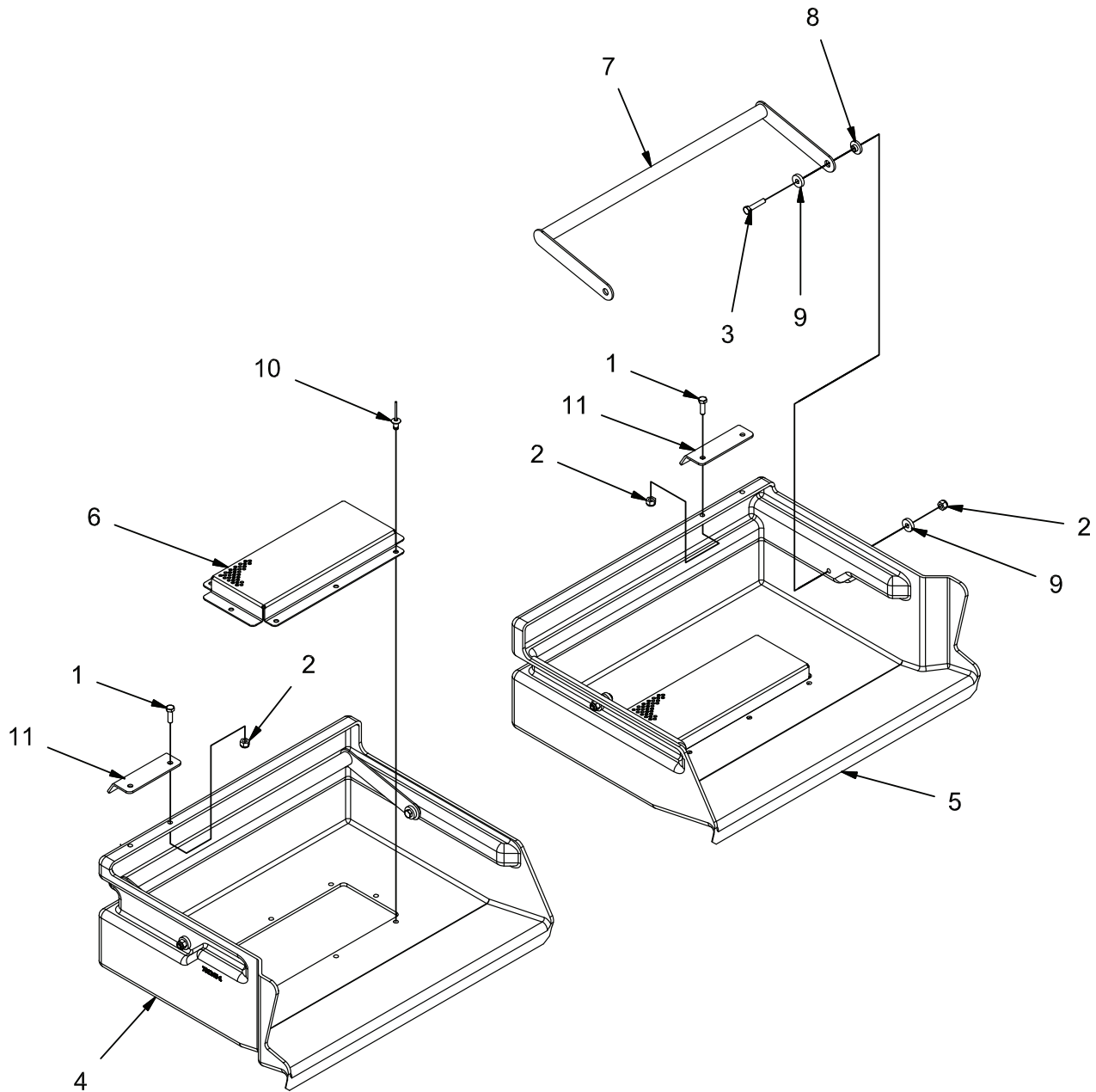


REV C

**RECOVERY TANK DRAIN GROUP (730179)**

<b>Parts List - 730179</b>			
<b>ITEM</b>	<b>PART NO.</b>	<b>QTY</b>	<b>DESCRIPTION</b>
1	3336089	1	PLUG-2 3/4" X 2" TURN-TITE EXPANDABLE RU
2	3343273	2	CLAMP, HOSE, 3.0 - 3.50
3	3345608	1	SUPPORT TUBE-SS, DRAIN HOSE NAUTILUS
4	730511	1	W/D, VALVE BODY, TUBE
5	730517	1	TUBE, DRAIN VALVE
6	731140	1	EDGING, 3/16 X 12 IN
7	731141	1	EDGING, 3/16 X 8.44 IN
8	731143	2	SCR-BHSCS 3/8-16 X .750 SS
9	731144	4	CLAMP, 2.25 IN TO 3.25 IN SS
10	731527	1	PLATE, HOSE SUPPORT
11	731533	1	ASSEMBLY, RECOVERY DRAIN HOSE
12	731539	1	LANYARD
13	REFERENCE	1	RECOVERY TANK

## PLASTIC HOPPER GROUP (730173)

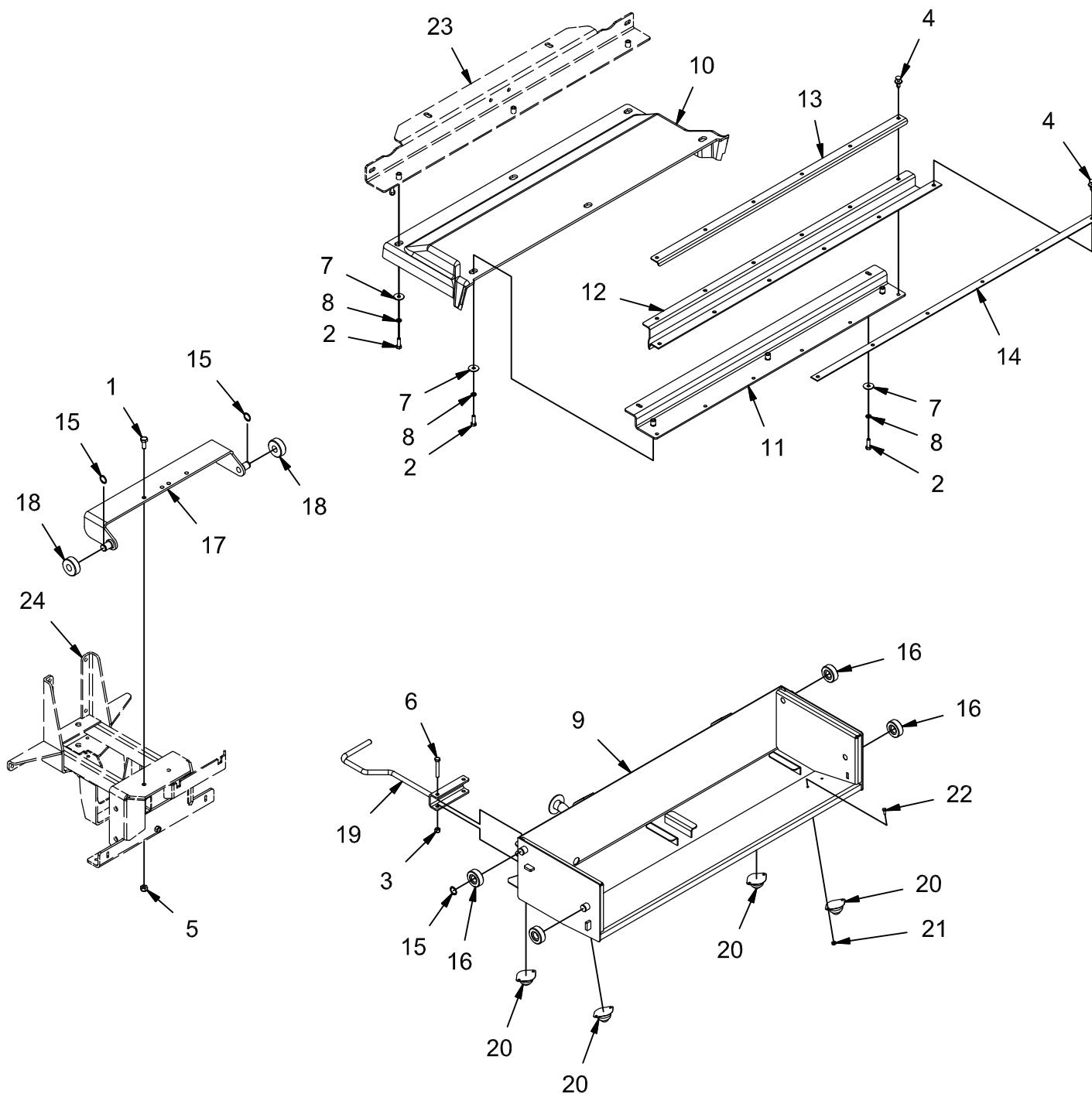


REV A

**PLASTIC HOPPER GROUP (730173)**

<b>Parts List - 730173</b>			
<b>ITEM</b>	<b>PART NO.</b>	<b>QTY</b>	<b>DESCRIPTION</b>
1	600913	4	BOLT, M6-1.00 X 20 HH SS
2	600933	8	NUT, M6-1.00 ESN SS
3	731050	4	BOLT, M6-100 X 30 HH SS
4	731245-1	1	HOPPER, RIGHT
5	731246-1	1	HOPPER, LEFT
6	731247	2	SCREEN, HOPPER
7	731248	2	WELDMENT, HANDLE
8	731251	4	SPACER, PIVOT
9	731252	8	WASHER, THICK FENDER, M6, SS
10	731253	16	RIVET, BLIND, .25 D X .062 - .250 GRIP ALU
11	731368	2	RETAINER, HOPPER

## HOPPER CRADLE GROUP (730174)

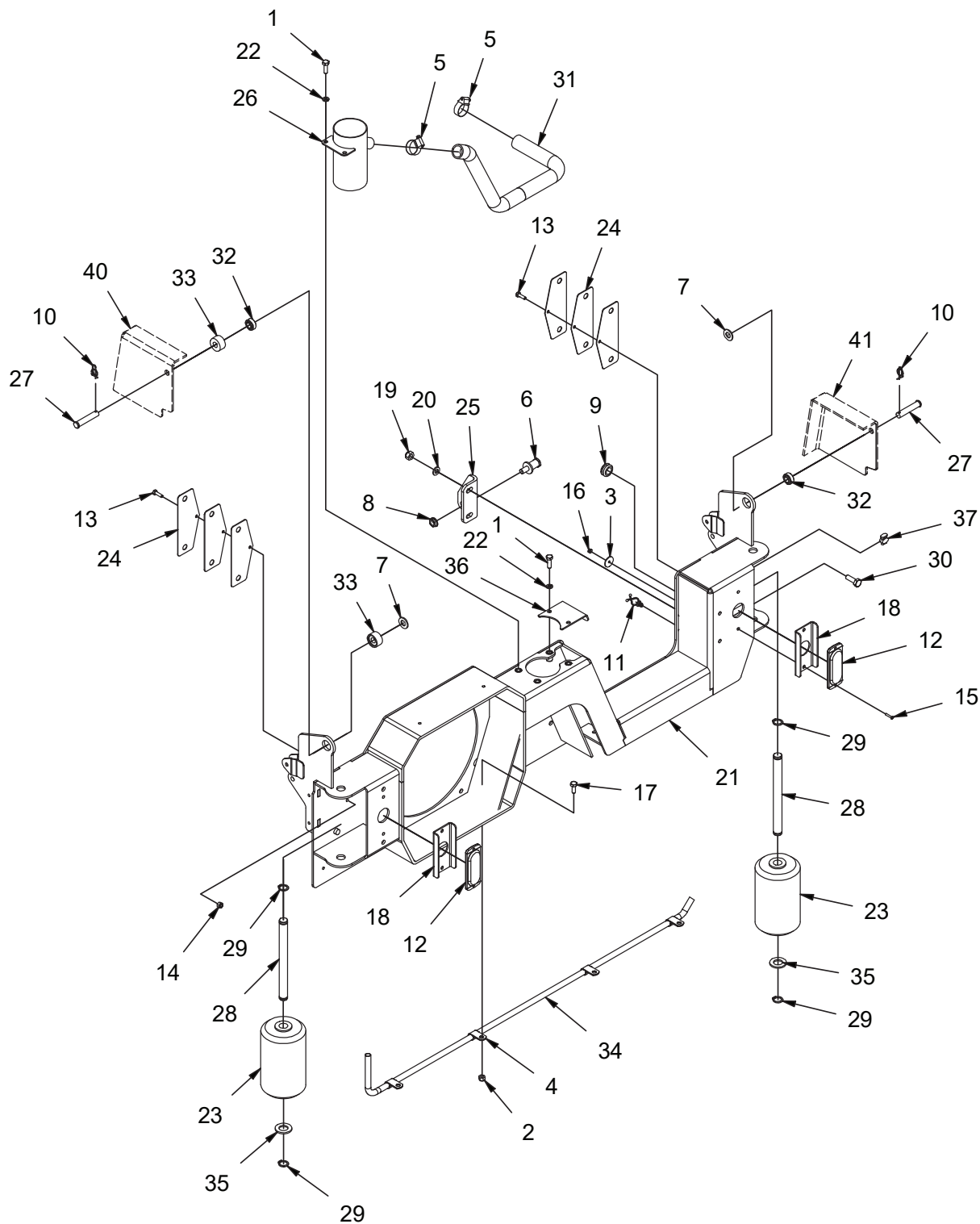


REV \*

**HOPPER CRADLE GROUP (730174)**

<b>Parts List - 730174</b>			
<b>ITEM</b>	<b>PART NO.</b>	<b>QTY</b>	<b>DESCRIPTION</b>
1	11038346	2	SCR-HH M10-1.5 X 25 ZD CLASS 8.8
2	11039567	8	SCR-HH M8-1.25 X 25 SS
3	12040259	2	NUT-NYLOC M8 X 1.25 SS
4	600965	12	FASTENER-PUSH TYPE RETAINER
5	730339	2	NUT-NYLOC M10-1.50 SS
6	730507	2	SCR-HH M8-1.25 X 55 SS
7	730526	8	WASHER-FENDER M8 X 24 SS
8	730527	8	WASHER-LOCK M8 SS
9	730807	1	WELDMENT, CRADLE
10	730825-1	1	COVER, HOPPER
11	730826-1	1	ASSEMBLY, COVER SUPPORT
12	730828	1	SEAL, HOPPER
13	730829	1	RETAINER, SEAL ZP
14	730830	1	RETAINER, SEAL ZP
15	730841	6	RET RING-EXT .75 SS
16	730842	4	WHEEL, NYLON, 1.875 OD
17	731133	1	WELDMENT, PUSH BRACKET, DG
18	731136	2	ROLLER
19	731156-1	1	WELDMENT, CRADLE HANDLE, PNTD
20	731239	4	BALL, ROLLER, 1 IN, STAINLESS STEEL
21	731242	8	NUT-NYLOC 10-32 18-8 SS
22	731243	8	SCR-HH 10-32 X .500 SS
23	REFERENCE	1	SUPPORT BEAM
24	REFERENCE	1	SQUEEGEE LIFT

## CYLINDRICAL REAR BUMPER GROUP (730125)



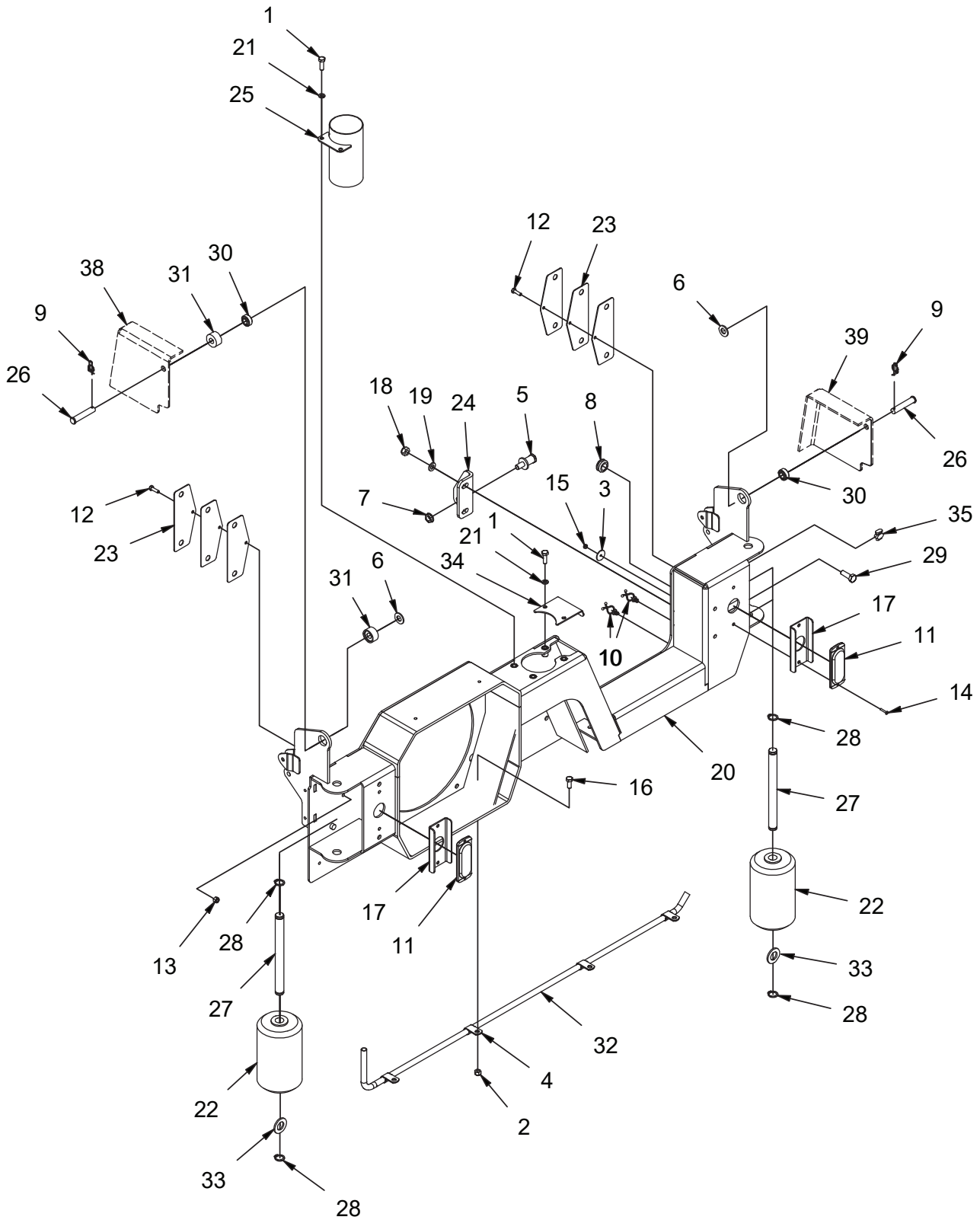
REV N



**CYLINDRICAL REAR BUMPER GROUP (730125)**

Parts List - 730125			
ITEM	PART NO.	QTY	DESCRIPTION
1	11039567	4	SCR-HH M8-1.25 X 25 SS
2	12040259	4	NUT-NYLOC M8 X 1.25 SS
3	711599	4	WASHER-FLAT .187 X 1.00 X .06
4	3301158	4	CLAMP - WIRE & TUBE .687 DIA STEEL
5	3302193	2	CLAMP - SCREW .69" to 1.5" DIA 201SS
6	3307248	1	BOLT-STRIKER BROOM DOOR LATCH
7	3400086	2	WASHER-FLAT 1/2 ZP
8	3400394	1	NUT-FLANGE WIZZ 7/16-14
9	600151	1	GROMMET, .63 ID .88 OD .25 T
10	600578	2	RING-RUE .50 ZP
11	600581	1	CLAMP WIRE CLIP, PURSE-LOCK .625
12	600698-2	1	ASSY, LIGHTS, TAIL, BRK, RED LED
13	600913	2	SCR-HH M6-1.00 X 20 SS
14	600933	2	NUT-NYLOC M6-1.00 SS
15	710305	4	SCR-PHMS 6-32 X .75 ZP
16	711371	4	NUT-NYLOC 6-32 ZP
17	717030	4	SCR-HH M8-1.25 X 20 SS
18	730162	2	PLATE, TAIL LIGHT GUARD, NAUTILUS
19	730339	2	NUT-NYLOC M10-1.50 SS
20	730344	2	WASHER-FLAT M10 SS
21	730360-1	1	ASSEMBLY, BUMPER
22	730527	4	WASHER-LOCK M8 SS
23	730719	2	ROLLER
24	730778	6	SHIM PLT ZP
25	730789	1	STRIKER MNT LH ZP
26	730868	1	WELDMENT, SQU TUBE SS
27	730875	2	PIN-CLEVIS 1/2 X 2.50 ZP
28	730876	2	PIN, ROLLER
29	730877	4	RET RING-EXT .750
30	730878	2	SCR-HH M10-1.50 X 30 SS
31	730879	1	TUBING, HOPPER VAC, 33 IN
32	730882	2	BEARING, SPHERICAL
33	730883	2	SPACER, BUMPER
34	730885	1	TUBE, WIRE DG
35	730886	2	WASHER-FLAT 3/4 ZP
36	731189	1	COVER, HOSE PORT
37	742934	2	GROUND CONNECTOR, SEALED
38	748982	1	HARNESS, LEFT TAIL LIGHT
39	748983	1	HARNESS, RIGHT TAIL LIGHT
40	REFERENCE	1	FRAME
41	REFERENCE	1	FRAME

**DISC REAR BUMPER GROUP (730125-D)**

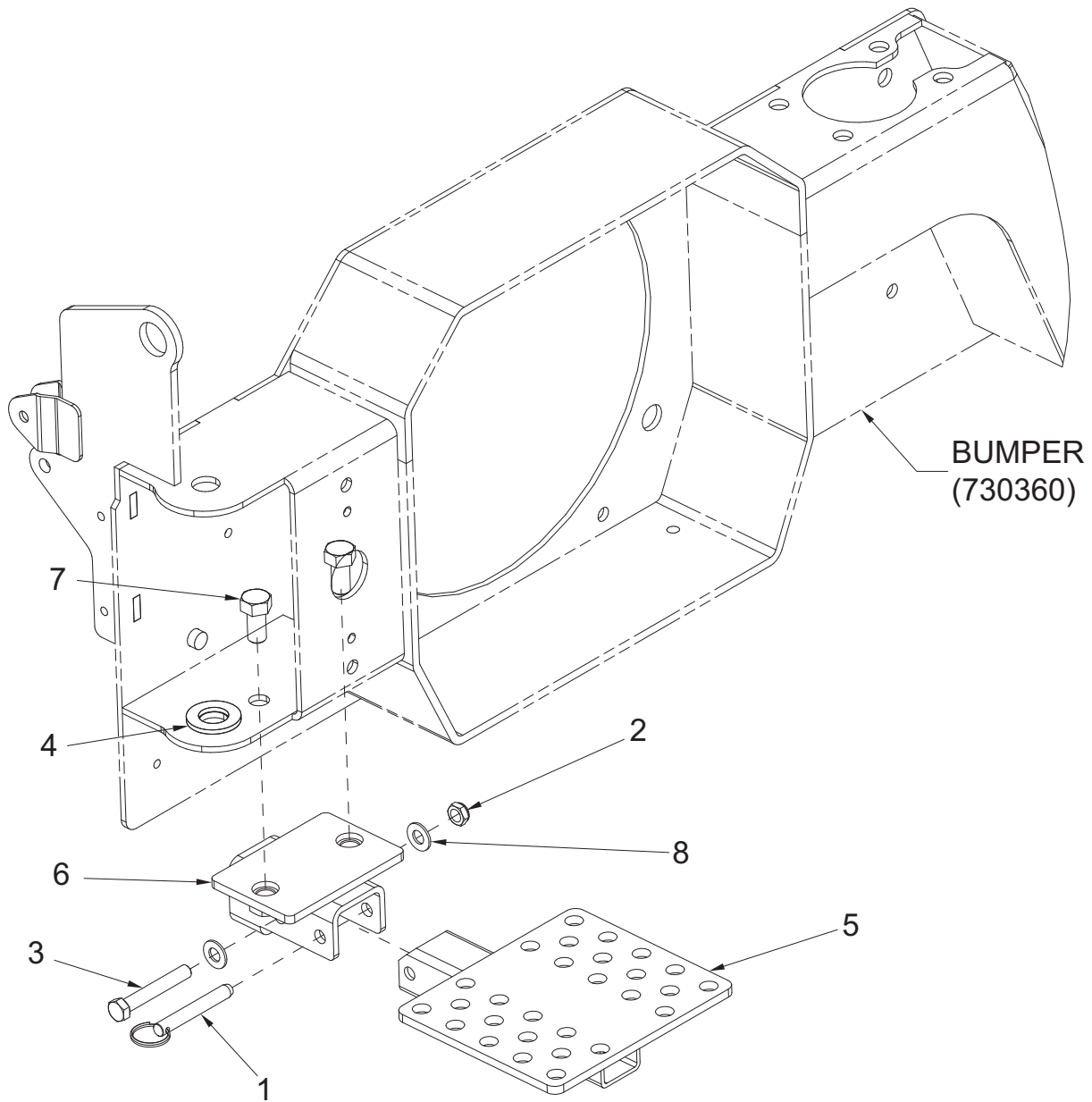


**REV B**

**DISC REAR BUMPER GROUP (730125-D)**

Parts List - 730125-D			
ITEM	PART NO.	QTY	DESCRIPTION
1	11039567	4	SCR-HH M8-1.25 X 25 SS
2	12040259	4	NUT-NYLOC M8 X 1.25 SS
3	711599	4	WASHER-FLAT .187 X 1.00 X .06
4	3301158	4	CLAMP - WIRE & TUBE .687 DIA STEEL
5	3307248	1	BOLT-STRIKER BROOM DOOR LATCH
6	3400086	2	WASHER-FLAT 1/2 ZP
7	3400394	1	NUT-FLANGE WIZZ 7/16-14
8	600151	1	GROMMET, .63 ID .88 OD .25 T
9	600578	2	RING-RUE .50 ZP
10	600581	2	CLAMP WIRE CLIP, PURSE-LOCK .625
11	600698-2	1	ASSY, LIGHTS, TAIL, BRK, RED LED
12	600913	2	SCR-HH M6-1.00 X 20 SS
13	600933	2	NUT-NYLOC M6-1.00 SS
14	710305	4	SCR-PHMS 6-32 X .75 ZP
15	711371	4	NUT-NYLOC 6-32 ZP
16	717030	4	SCR-HH M8-1.25 X 20 SS
17	730162	2	PLATE, TAIL LIGHT GUARD, NAUTILUS
18	730339	2	NUT-NYLOC M10-1.50 SS
19	730344	2	WASHER-FLAT M10 SS
20	730360-1	1	ASSEMBLY, BUMPER
21	730527	4	WASHER-LOCK M8 SS
22	730719	2	ROLLER
23	730778	6	SHIM PLT ZP
24	730789	1	STRIKER MNT LH ZP
25	730868-D	1	WELDMENT, SQU TUBE, DISC
26	730875	2	PIN-CLEVIS 1/2 X 2.50 ZP
27	730876	2	PIN, ROLLER
28	730877	4	RET RING-EXT .750
29	730878	2	SCR-HH M10-1.50 X 30 SS
30	730882	2	BEARING, SPHERICAL
31	730883	2	SPACER, BUMPER
32	730885	1	TUBE, WIRE DG
33	730886	2	WASHER-FLAT 3/4 ZP
34	731189	1	COVER, HOSE PORT
35	742934	2	GROUND CONNECTOR, SEALED
36	748982	1	HARNESS, LEFT TAIL LIGHT
37	748983	1	HARNESS, RIGHT TAIL LIGHT
38	REFERENCE	1	FRAME
39	REFERENCE	1	FRAME

## REAR STEP GROUP (730055)

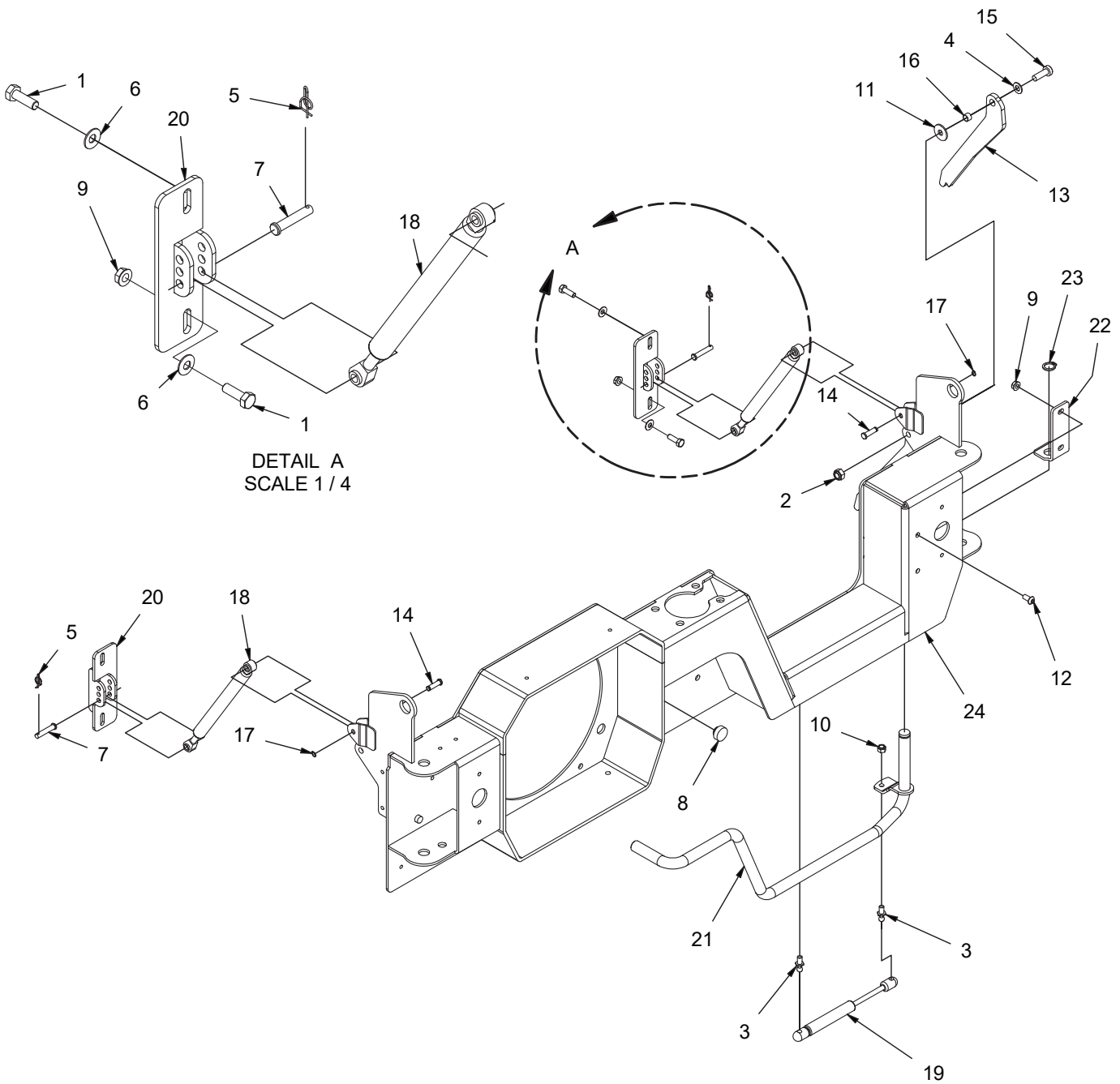


REV B

**REAR STEP GROUP (730055)**

<b>Parts List - 730055</b>			
<b>ITEM</b>	<b>PART NO.</b>	<b>QTY</b>	<b>DESCRIPTION</b>
1	711028	1	PIN, QUICK RELEASE, 3/8" X 2" SS
2	711375	1	NUT-NYLOC 3/8-16 ZP
3	713048	2	SCR-HH 3/8-16 X 2.50 ZP GR 5
4	730886	1	WASHER-FLAT 3/4 ZP
5	731312	1	WELDMENT, REAR STEP, NAUTILUS
6	731315	1	MOUNTING, REAR STEP, NAUTILUS
7	3400023	2	SCR-HH 1/2-13 X 1.00 ZP GR 5
8	712301	2	WASHER-FLAT 3/8 ZP

## BUMPER LIFT GROUP (730159)

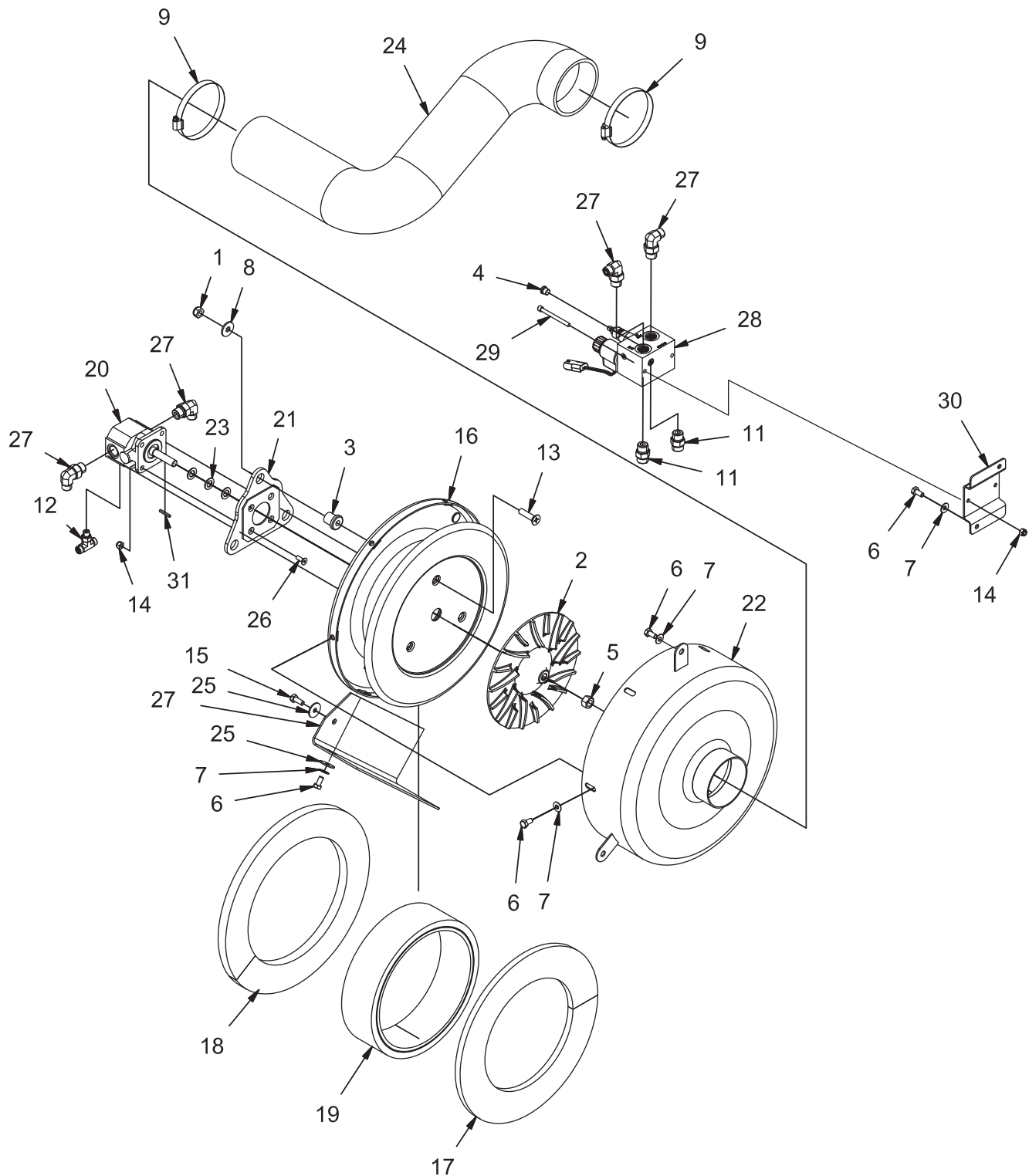


REV F

**BUMPER LIFT GROUP (730159)**

<b>Parts List - 730159</b>			
<b>ITEM</b>	<b>PART NO.</b>	<b>QTY</b>	<b>DESCRIPTION</b>
1	711028	1	PIN, QUICK RELEASE, 3/8" X 2" SS
2	711375	1	NUT-NYLOC 3/8-16 ZP
3	713048	2	SCR-HH 3/8-16 X 2.50 ZP GR 5
4	730886	1	WASHER-FLAT 3/4 ZP
5	731312	1	WELDMENT, REAR STEP, NAUTILUS
6	731315	1	MOUNTING, REAR STEP, NAUTILUS
7	3400023	2	SCR-HH 1/2-13 X 1.00 ZP GR 5
8	712301	2	WASHER-FLAT 3/8 ZP
1	11038247	4	SCR-HH M8-1.25 X 25 ZP CLASS 8.8
2	12040069	1	NUT-NYLOC M10 X 1.5 ZD CLASS 6
3	3300376	2	STUD-BALL GAS SPR 5/16-18 THRD .391DIA.
4	712301	2	WASHER-FLAT 3/8 ZP
5	3400125	2	RING-RUE 3/8
6	3400384	4	WASHER-CONICAL SPRING 5/16
7	3401982	2	PIN-CLEVIS 5/16 X 1.625 ZP
8	600117	1	BUMPER, 1.0 OD, .50 GROMMET, RUBBER
9	600934	4	NUT-FLANGE WIZZ M8-1.25 ZP
10	711374	2	NUT-NYLOC 5/16-18 ZP
12	730399	2	SCR-BHSCS M8-1.25 X 16 ZP
13	730758	2	SAFETY ARM ORANGE
14	730779	2	PIN, BUMPER
15	730872	1	SCR-SHCS M10-1.50 X 30 SS LOW HEAD
16	730873	1	SPACER, .406 B .498 OD .325 T
17	730874	2	RET RING-EXT .313
18	730887	2	GAS STRUT, 17.01 EXT X 6.89 STK
19	730902	1	GAS STRUT, 8.77 EXT X 3.00 STK, 200N
20	730935	2	WELDMENT, STRUT MOUNT DG
21	731205	1	WELDMENT, BUMPER LEVER
22	731209	1	BUMPER, LEVER PIVOT
23	731212	1	RET RING-EXT .750 HD
24	REFERENCE	1	REAR BUMPER

## IMPELLER GROUP (730126) BEFORE SERIAL 22PB1655



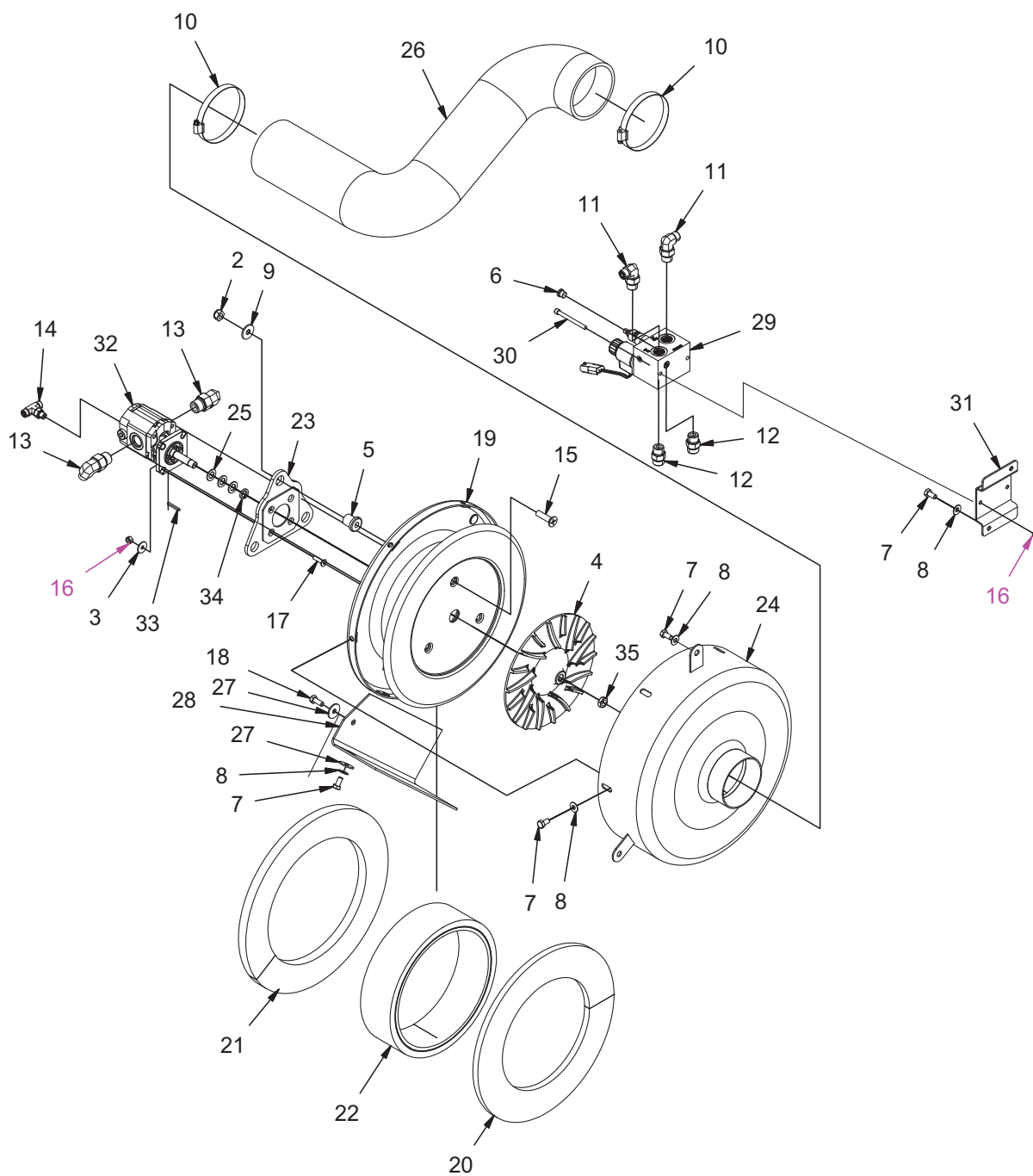
REV L



**IMPELLER GROUP (770674)**

<b>Parts List - 730126</b>			
<b>ITEM</b>	<b>PART NO.</b>	<b>QTY</b>	<b>DESCRIPTION</b>
1	12040069	3	NUT-NYLOC M10 X 1.5 ZD CLASS 6
2	3300133	1	IMPELLER, BALANCED 82/90/NAUTILUS
3	3300465	3	ISOLATOR-RUBBER (.375ID X .81OD)
4	3331436	1	FTG-ORFS PLUG-1/4 HEX SOC,ST THD
5	3400064	1	NUT-HEX 1/2-20 ZP GR 5
6	3400291	11	SCR-HH M8-1.25 X 16 ZP CLASS 8.8
7	3400384	11	WASHER-CONICAL SPRING 5/16
8	600363	3	WASHER-FLAT .39 X 1.12 X .1 ZP
9	620176	2	CLAMP, HOSE, WORM TYPE, 4"
10	675520	4	FTG-ORFS 90 ELBOW -6 -8 SAE
11	675524	2	FTG-ORFS STR THD -8 -8 SAE
12	675556	1	FTG-ORFS TEE BRANCH -4 -4 -4 SAE
13	710028	3	SCR-FHMS M10-1.50 X 40 SLOTTED ZP
14	711373	6	NUT-NYLOC 1/4-20 ZP
15	717030	1	SCR-HH M8-1.25 X 20 SS
16	730463-1	1	IMPELLER HOUSING, MACHINED
17	730466	1	INSULATION, SOUND
18	730467	1	INSULATION, SOUND
19	730468	1	INSULATION, SOUND
20	730470	1	MOTOR, HYD, GEAR BLK
21	730471	1	WELDMENT, MOTOR MNT DG
22	730474	1	WELDMENT, IMPELLER SHROUD
23	730479	3	PRECISION WASHER, .88 D .51 B .060 T
24	730501	1	HOSE, 4.00, IMPELLER
25	730526	2	WASHER-FENDER M8 X 24 SS
26	730562	4	SCR-FHMS 1/4-20 X .75 ZP
27	730639	1	FLAP, IMPELLER
28	730790-1	1	MANIFOLD ASSY, IMPELLER
29	730889	2	SCR-SHCS 1/4 -20 X 2.75 ZP CP
30	730891	1	BRACKET, MANIFOLD ZP

## IMPELLER GROUP (770674) SERIAL 22PB1655 AND AFTER

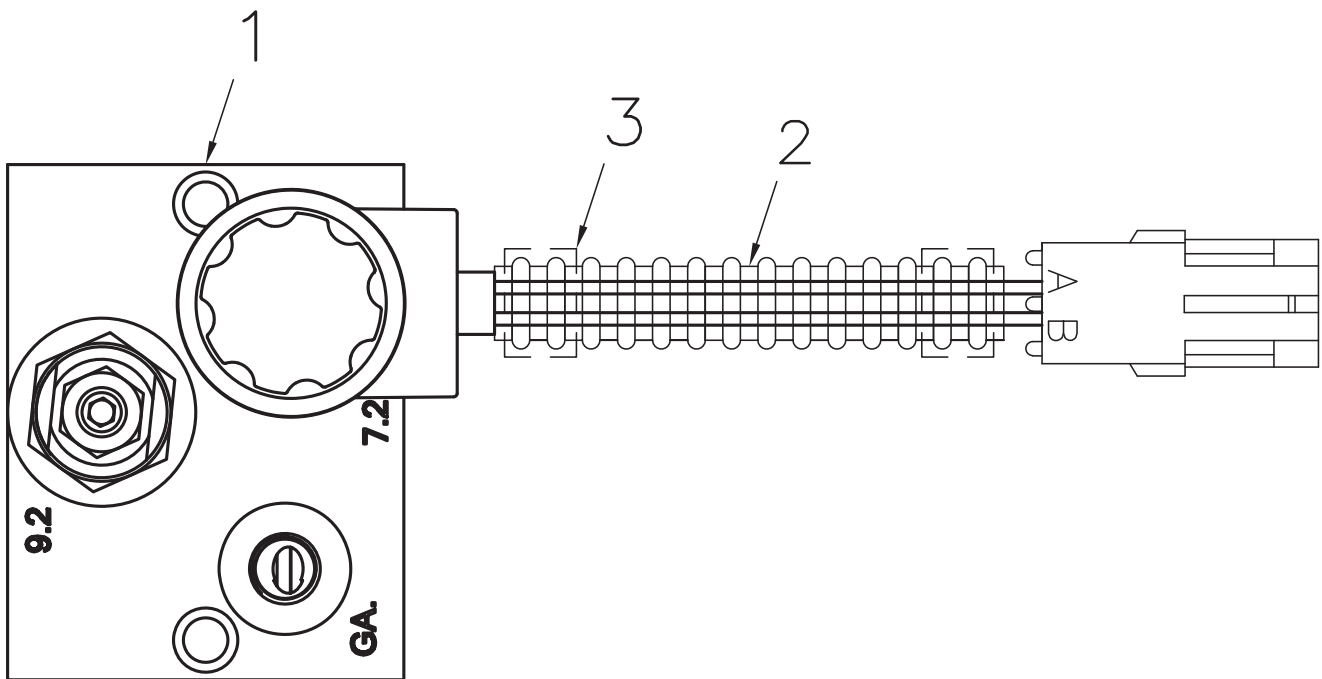


REV A

**IMPELLER GROUP (770674)**

<b>Parts List - 770674</b>			
<b>ITEM</b>	<b>PART NO.</b>	<b>QTY</b>	<b>DESCRIPTION</b>
1	000712	0.001	LOCTITE 243 BLUE (50 ML)
2	12040069	3	NUT-NYLOC M10 X 1.5 ZD CLASS 6
3	173080	4	WASHER-FLAT .266 X .875 X .07 SS
4	3300133	1	IMPELLER, BALANCED 82/90/NAUTILUS
5	3300465	3	ISOLATOR-RUBBER (.375ID X .81OD)
6	3331436	1	FTG-ORFS PLUG-1/4 HEX SOC,ST THD
7	3400291	11	SCR-HH M8-1.25 X 16 ZP CLASS 8.8
8	3400384	11	WASHER-CONICAL SPRING 5/16
9	600363	3	WASHER-FLAT .39 X 1.12 X .1 ZP
10	620176	2	CLAMP, HOSE, WORM TYPE, 4"
11	675520	2	FTG-ORFS 90 ELBOW -6 -8 SAE
12	675524	2	FTG-ORFS STR THD -8 -8 SAE
13	675532	2	FTG-ORFS 90 ELBOW -6 -10 SAE
14	675507	1	FTG-ORFS 90 ELBOW -4 -4 SAE
15	710028	3	SCR-FHMS M10-1.50 X 40 SLOTTED ZP
16	711373	6	NUT-NYLOC 1/4-20 ZP
17	712153	4	SCR-FHSCS 1/4-20 X 1.00 SS
18	717030	1	SCR-HH M8-1.25 X 20 SS
19	730463-1	1	IMPELLER HOUSING, MACHINED
20	730466	1	INSULATION, SOUND
21	730467	1	INSULATION, SOUND
22	730468	1	INSULATION, SOUND
23	730471	1	WELDMENT, MOTOR MNT DG
24	730474	1	WELDMENT, IMPELLER SHROUD
25	730479	3	PRECISION WASHER, .88 D .51 B .060 T
26	730501	1	HOSE, 4.00, IMPELLER
27	730526	2	WASHER-FENDER M8 X 24 SS
28	730639	1	FLAP, IMPELLER
29	730790-1	1	MANIFOLD ASSY, IMPELLER
30	730889	2	SCR-SHCS 1/4 -20 X 2.75 ZP CP
31	730891	1	BRACKET, MANIFOLD ZP
32	770672	1	MOTOR-IMPELLER, CCW ROT (2.8 CC/ROT)
33	770673	1	KEY, 3.18 X 3.18 X 30 MM (SERVICE)
34	770680	1	SPACER, .500 X .750 X .125 STEEL ARBOR
35	770681	1	NUT-JAM M12-1.75 ZP

IMPELLER HYDRAULIC MANIFOLD ASSEMBLY (730790-1)

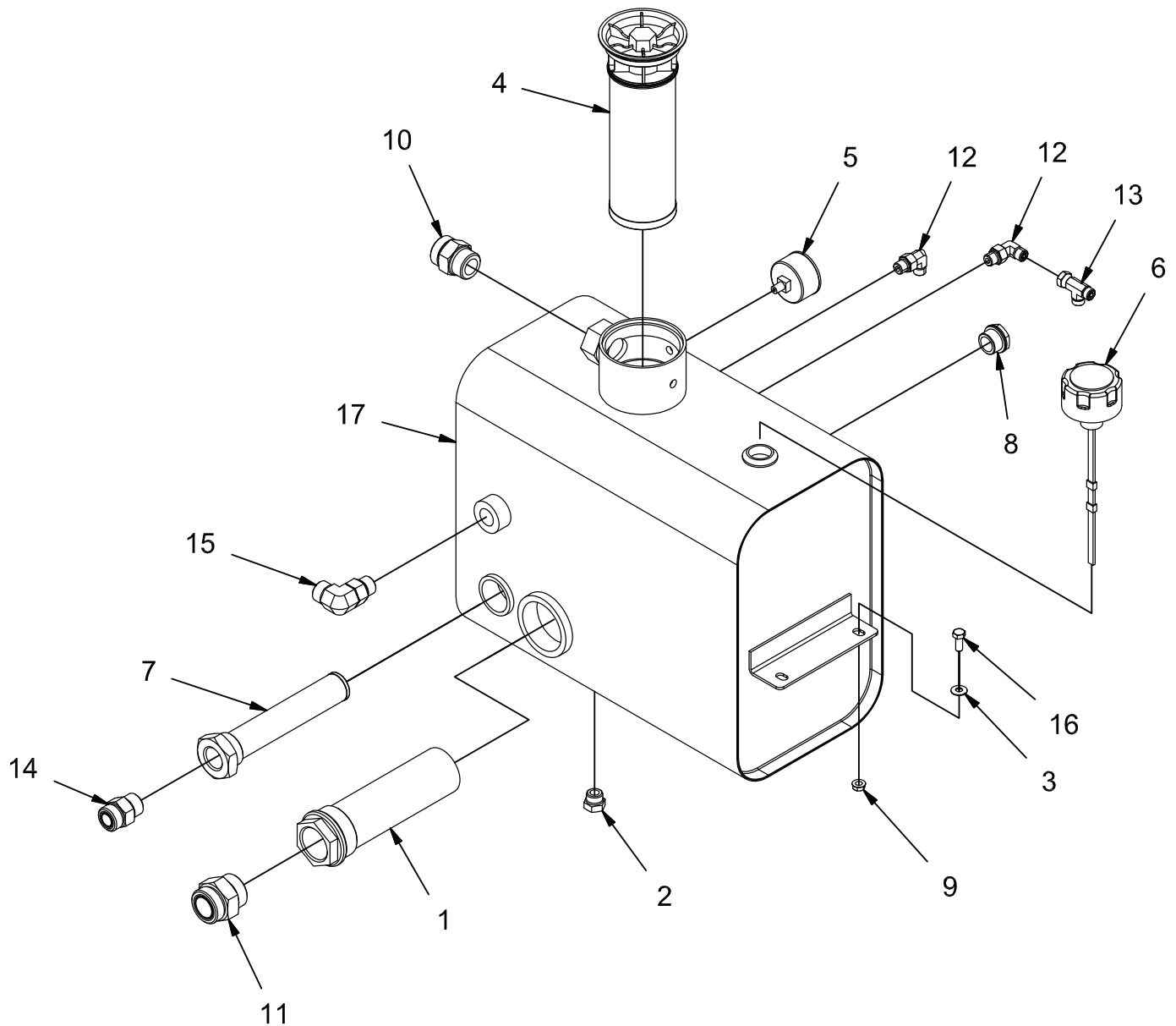


REV A

**IMPELLER HYDRAULIC MANIFOLD ASSEMBLY (730790-1)**

<b>Parts List - 730790-1</b>			
<b>ITEM</b>	<b>PART NO.</b>	<b>QTY</b>	<b>DESCRIPTION</b>
1	730790	1	MANIFOLD-IMPELLER
2	741231	1	CONDUIT- SPLIT 1/4 ID
3	000727	1	TAPE-ELECTRICAL 3/4" X 60FT ROLL BLACK

## HYDRAULIC RESERVOIR GROUP (730127)

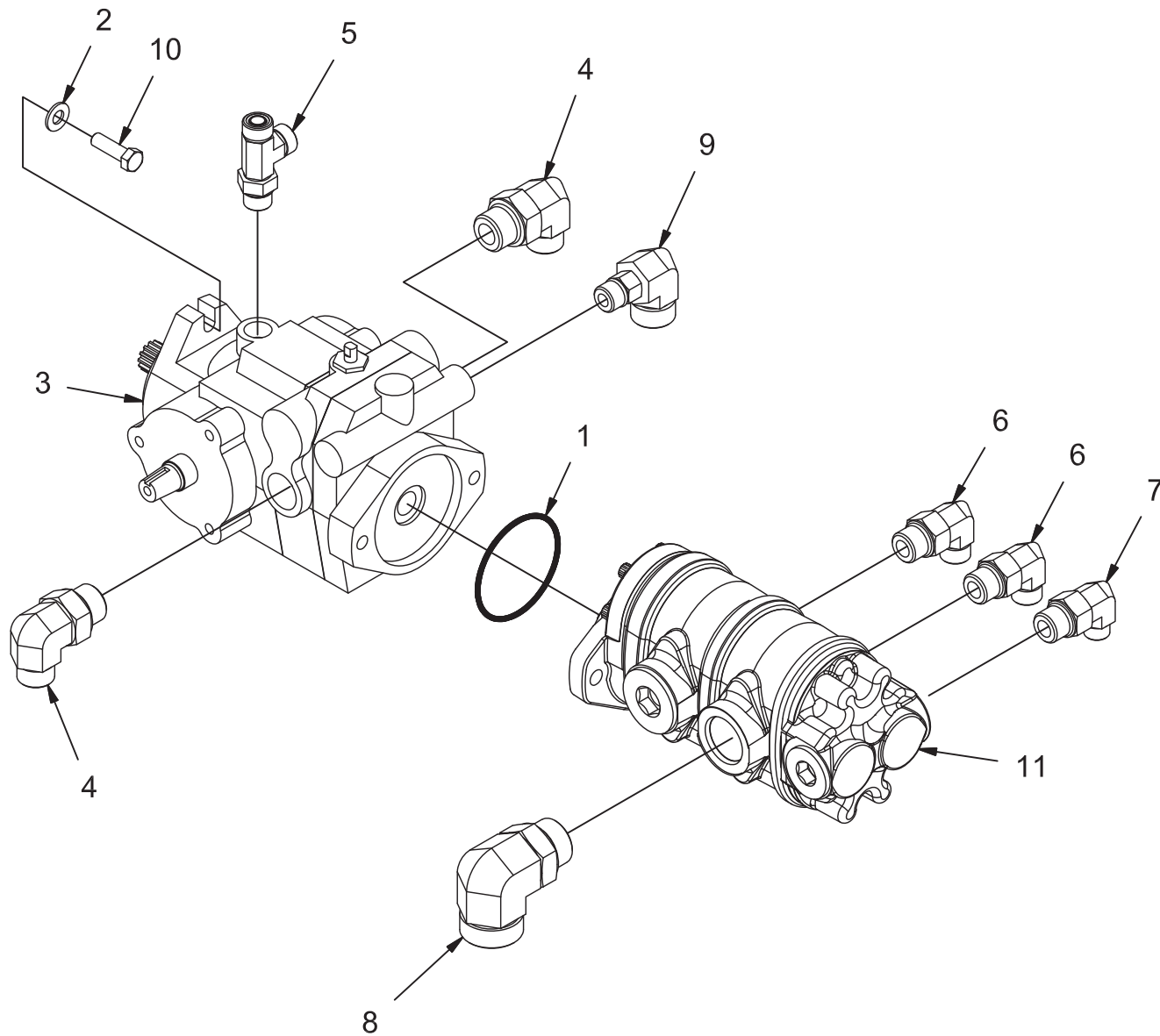


REV \*

**HYDRAULIC RESERVOIR GROUP (730127)**

<b>Parts List - 730127</b>			
<b>ITEM</b>	<b>PART NO.</b>	<b>QTY</b>	<b>DESCRIPTION</b>
1	3343836	1	STRAINER, HYDRAULIC, 20
2	3400164	1	FITTING, PLUG, 8 O-RING
3	3400384	4	WASHER, 5/16 BELLEVILLE
4	600182	1	FILTER ELEMENT, 10 MIC
5	600183	1	GAUGE, 0-60 PSI
6	600184	1	FILLER-BREATHER, 10 MIC
7	600185	1	STRAINER, 12
8	600531	1	SIGHT GAUGE
9	600934	4	NUT, M8-1.25 FLNG
10	675505	1	FITTING, STR, 16 ORFS - 16 SAE
11	675539	1	FITTING, STR, 20 ORFS - 20 SAE
12	675546	2	FITTING, 90, 4 ORFS - 6 SAE
13	675549	1	FITTING, RUN TEE, 4 ORFS - 4 SAE
14	675534	1	FITTING, STR, 12 ORFS - 12 SAE
15	675557	1	FITTING, 90, 10 ORFS - 10 SAE
16	717024	4	BOLT, M8-1.25 X 20 HH
17	730309	1	TANK, HYD RESERVOIR

## HYDRAULIC PUMP GROUP (730136) BEFORE SERIAL 22PB1655



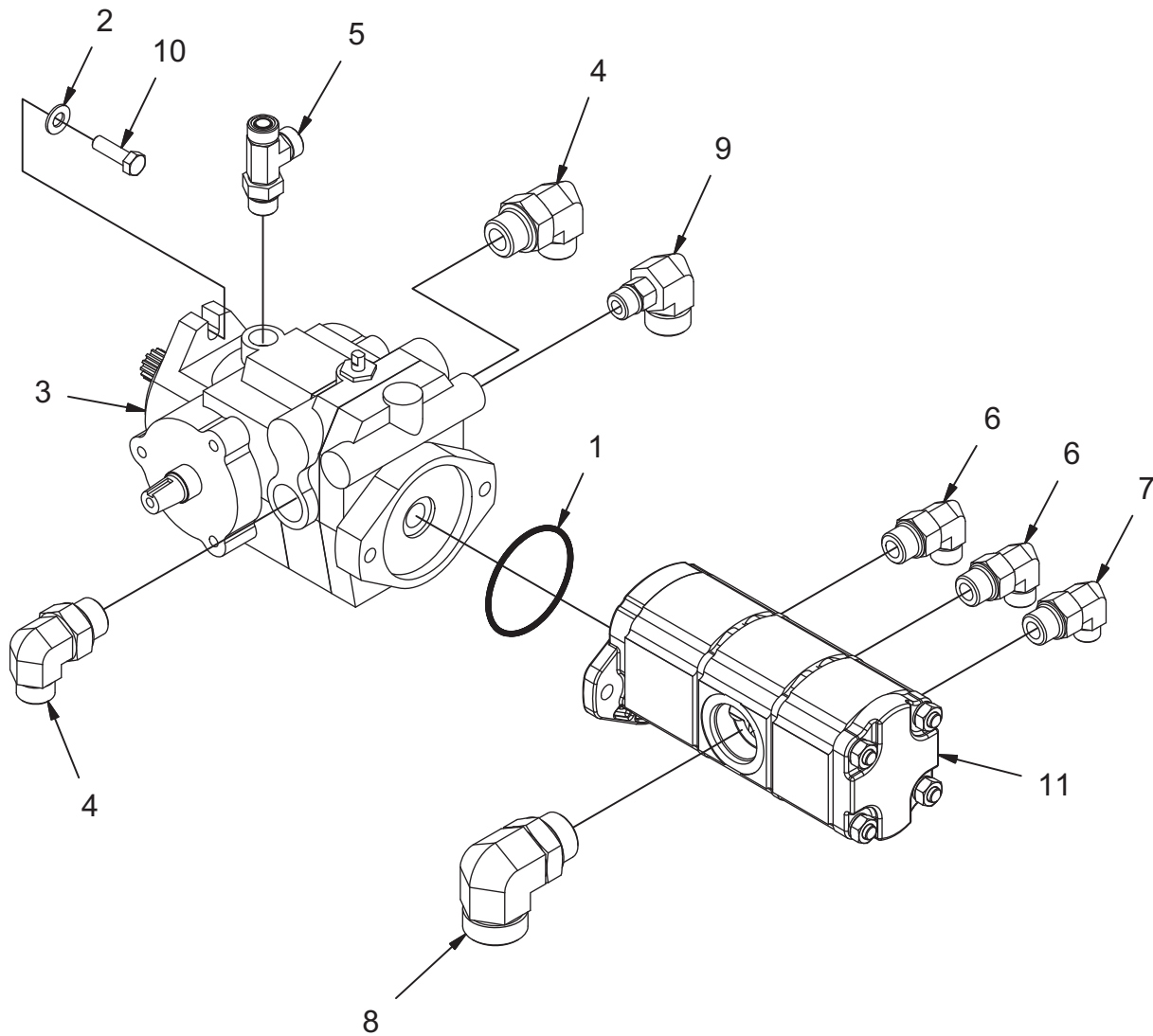
REV D



**HYDRAULIC PUMP GROUP (730136)**

<b>Parts List - 730136</b>			
<b>ITEM</b>	<b>PART NO.</b>	<b>QTY</b>	<b>DESCRIPTION</b>
1	3303711	1	O-RING
2	3400385	2	WASHER,38,BELLEVILLE
3	600215	1	PUMP,PROPULSION
4	675500	2	FTG-ELBOW-10ORFSTO-12SAE
5	675525	1	FITTING,RUNTEE,8ORFS-8ORFS-8SAE
6	675528	2	FITTING,90,-8ORFS-10SAE
7	675532	1	FITTING,90,6ORFS-10SAE
8	675538	1	FTG-ORFS 90 ELBOW -20 -20 SAE
9	675543	1	FITTING,90,12ORFS-8SAE
10	713043	2	SCREW,38-16X1.25HH
11	730310	1	PUMP,AUX

## HYDRAULIC PUMP GROUP (770675) SERIAL 22PB1655 AND AFTER

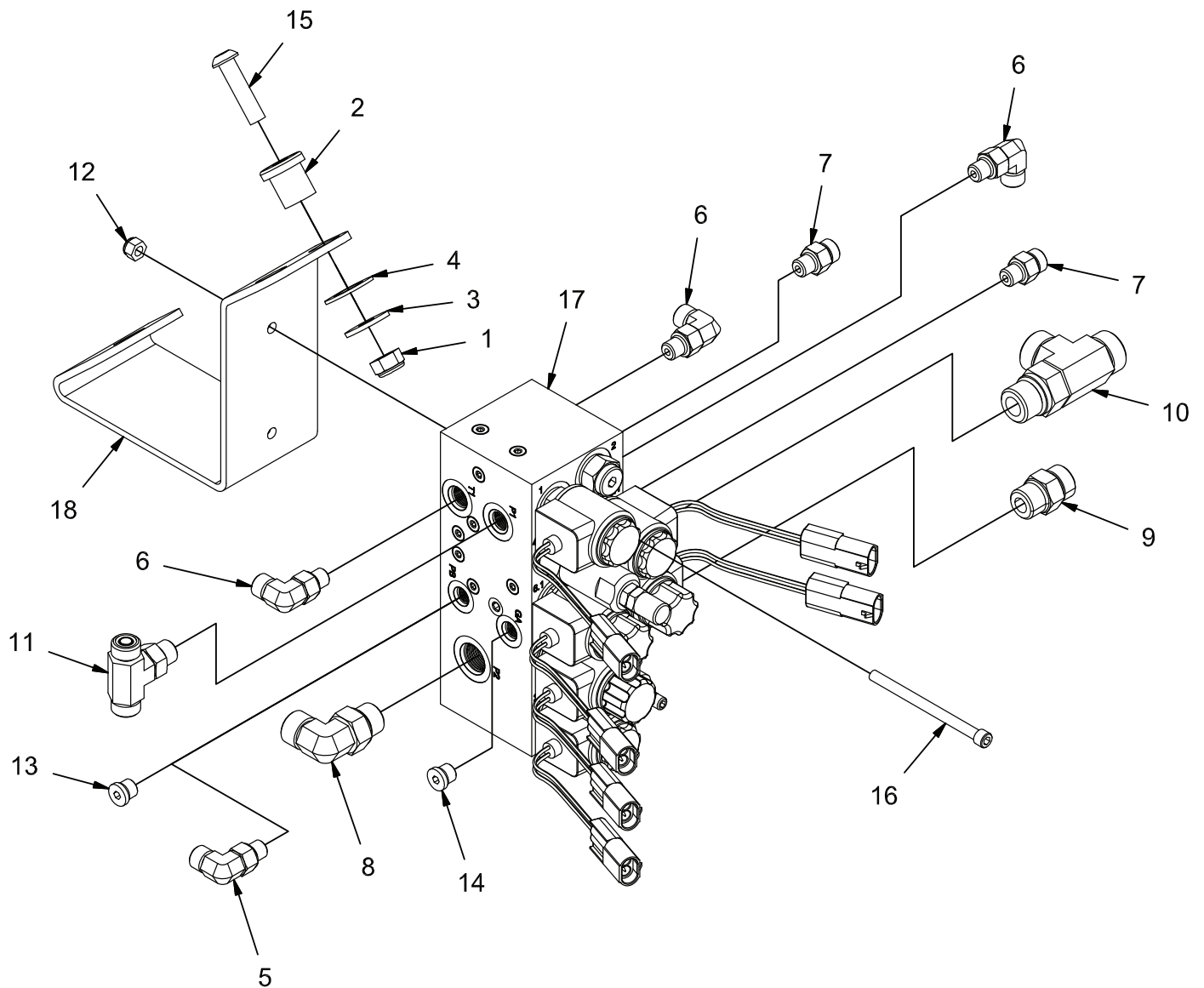


REV A

**HYDRAULIC PUMP GROUP (770675)**

<b>Parts List - 770675</b>			
<b>ITEM</b>	<b>PART NO.</b>	<b>QTY</b>	<b>DESCRIPTION</b>
1	3303711	1	O-RING
2	3400385	2	WASHER,38,BELLEVILLE
3	600215	1	PUMP,PROPULSION
4	675500	2	FTG-ELBOW-10ORFSTO-12SAE
5	675525	1	FITTING,RUNTEE,8ORFS-8ORFS-8SAE
6	675528	2	FITTING,90,-8ORFS-10SAE
7	675532	1	FITTING,90,6ORFS-10SAE
8	675538	1	FTG-ORFS 90 ELBOW -20 -20 SAE
9	675543	1	FITTING,90,12ORFS-8SAE
10	713043	2	SCREW,38-16X1.25HH
11	770671	1	PUMP,AUX

## HYDRAULIC VALVE GROUP (730137)

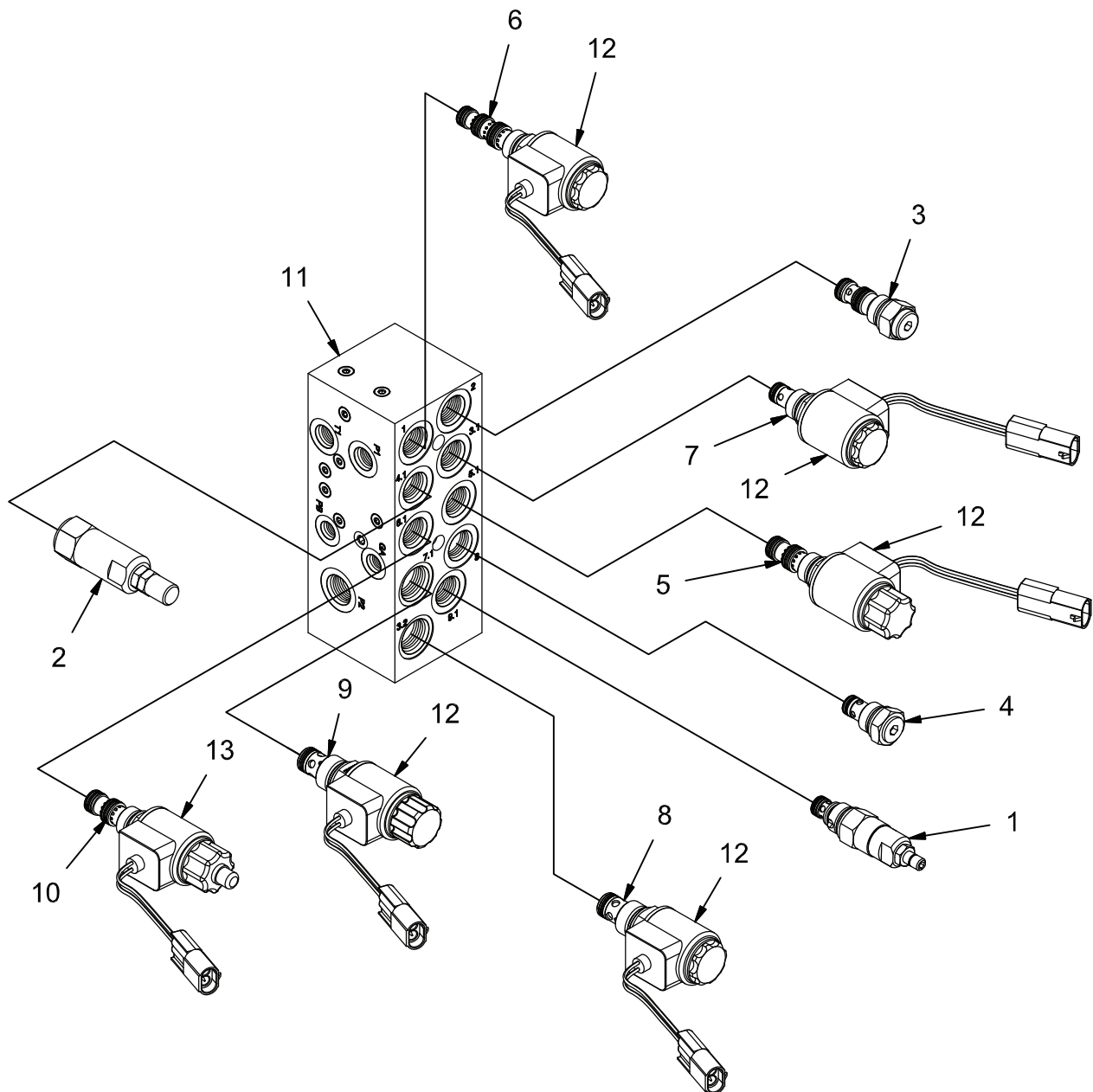


REV A

**HYDRAULIC VALVE GROUP (730137)**

<b>Parts List - 730137</b>			
<b>ITEM</b>	<b>PART NO.</b>	<b>QTY</b>	<b>DESCRIPTION</b>
1	12040069	3	NUT, M10-1.50 ESN
2	3300465	3	ISOLATOR, VIB
3	600363	3	WASHER, ISOLATOR
4	66-431-A	3	WASHER, .77 B 1.25 OD .075 T
5	675507	1	FITTING, 90, 4 ORFS - 4 SAE
6	675507	3	FITTING, 90, 4 ORFS - 4 SAE
7	675508	2	FITTING, STR, 4 ORFS - 4-SAE
8	675523	1	FITTING, 90, 8 ORFS - 8 SAE
9	675524	1	FITTING, STR, 8 ORFS - 8 SAE
10	675540	1	FITTING, RUN TEE, 10 ORFS - 10 SAE
11	675555	1	FITTING, TEE 6 ORFS - 6 SAE
12	711373	2	NUT, FIBER INSERT 1/4-20
13	3331436	1	FITTING, PLUG 4 O-RING
14	3331436	1	FITTING, PLUG, 4 O-RING (GAUGE PORT)
15	730698	3	BOLT, M10-1.50 X 40 BUTTON HD CAP
16	730699	2	BOLT, 1/4-20 X 3.50 SOC HD CAP
17	730700	1	HYDRAULIC MANIFOLD ASSEMBLY
18	730711	1	MOUNT, MANIFOLD

## HYDRAULIC MANIFOLD COMPONENTS GROUP (730170)

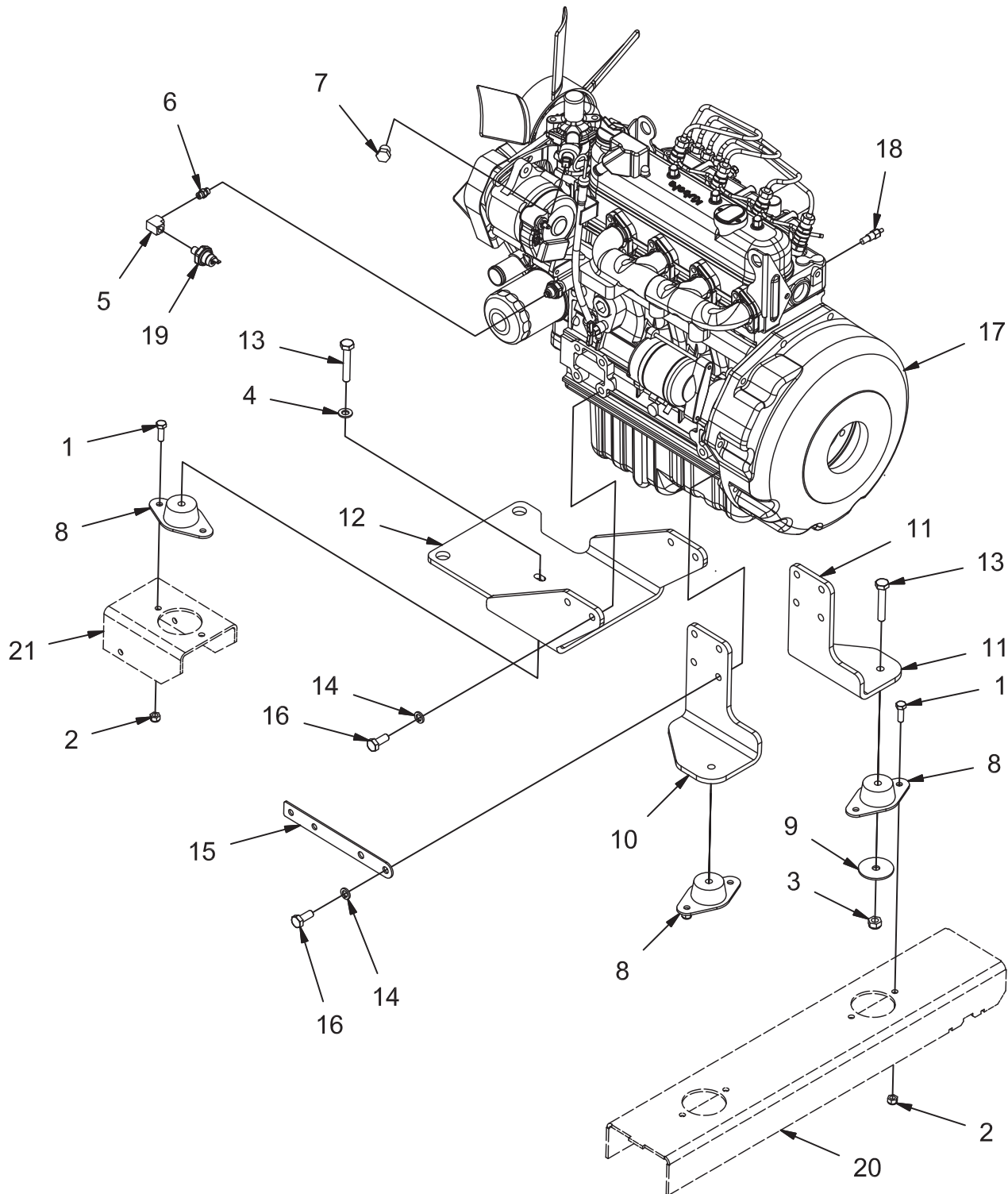


REV B

**HYDRAULIC MANIFOLD COMPONENTS GROUP (730170)**

<b>Parts List - 730170</b>			
<b>ITEM</b>	<b>PART NO.</b>	<b>QTY</b>	<b>DESCRIPTION</b>
1	730701	1	PORT 9.1 - RV2 - RELIEF VALVE RELIEF VALVE, DBOBP-01-C-N-330-V-250
2	730065	1	PORT 4.1 - UP PRESSURE VALVE-600 PSI
3	730703	1	PORT 2 - CV2 - P.O. CHECK VALVE P.O. CHECK VALVE, RPOBA-01-C-N-15-4
4	730704	1	PORT 8 - CV1 - CHECK VALVE CHECK VALVE, RVOBA-01-C-N-05
5	730705	1	PORT 5.1 - SV5 - MAIN BRUSHES DOWN SOL. VALVE, WKOBL-01-C-N-O
6	730706	1	PORT 1 - SV7 - SQUEEGEE UP-DN SOL. VALVE, WKOBX-01-C-N-O
7	730707	1	PORT 3.1 - SV6 - MAIN BRUSHES UP-LOCK SOL. VALVE, WSOBZR-01-C-N-O
8	730708	1	PORT 3.2 - SV3 - MAIN BRUSHES ON-OFF SOL. VALVE, WS10ZR-01-C-N-O
9	730709	1	PORT 7.1 - SV2 - ALL OFF SOL. VALVE, WS10Y-01-C-N-O
10	730710	1	PORT 6.1 - SV4 - BRUSH FORCE PROP. RED. VALVE, PDROB-01-M-C-N-070
11	731121	1	MANIFOLD BLOCK, MAIN C961-1
12	731122	5	COIL, 12V, 3003124
13	731226	1	COIL, PROPORTIONAL, 12PL-2.2-40-1836

## ENGINE MOUNT GROUP - DIESEL (730128)



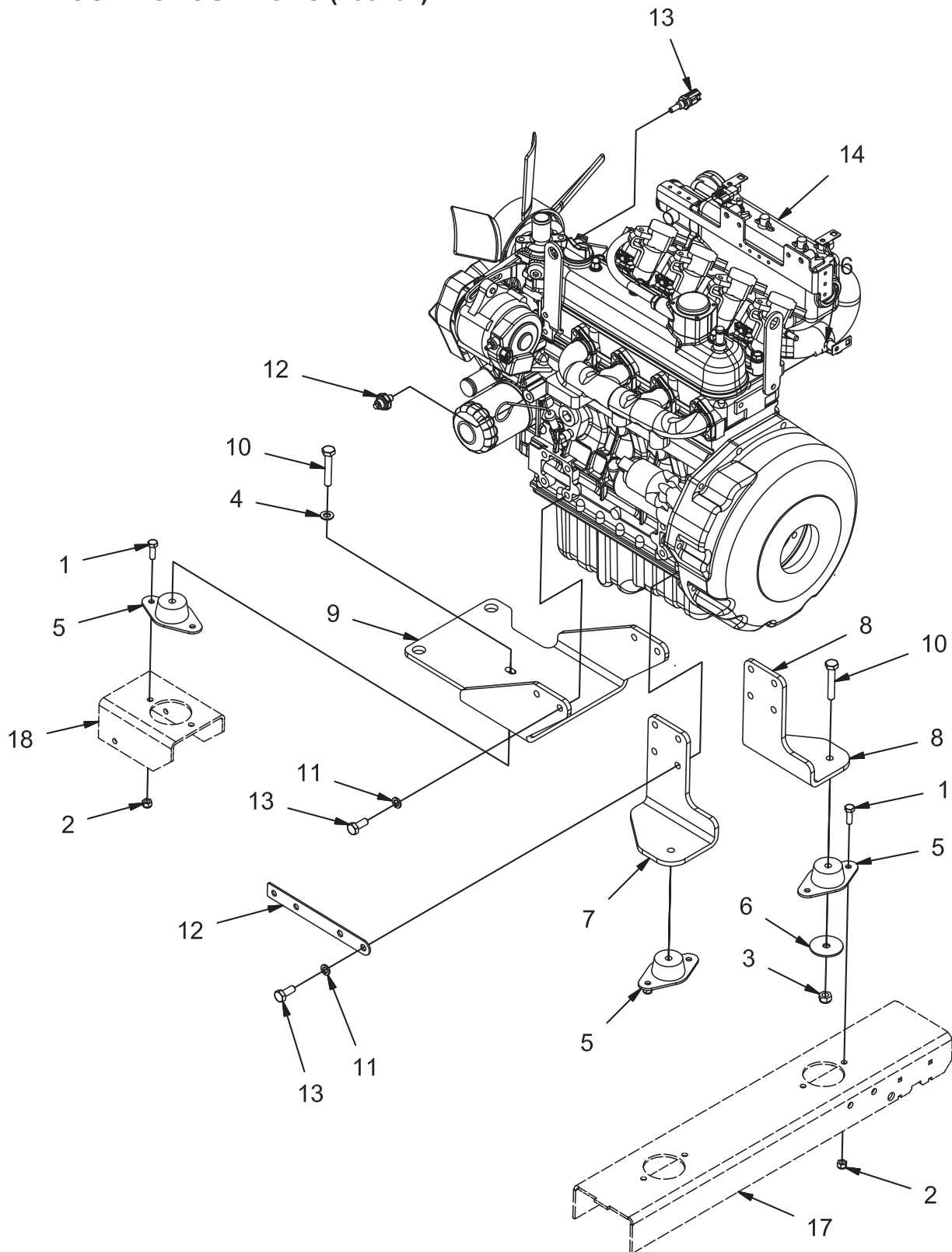
REV A



**ENGINE MOUNT GROUP - DIESEL (730128)**

<b>Parts List - 730128</b>			
<b>ITEM</b>	<b>PART NO.</b>	<b>QTY</b>	<b>DESCRIPTION</b>
1	11038247	6	BLT-HH M8-1.25 X 25 STL ZINC
2	12040051	6	NUT, M8-1.25 ESN
3	12040069	3	NUT, M10-1.50 ESN
4	12310058	1	WASHER, M10
5	3301720	1	FTG, BRASS ELBOW, 1/8 FEMALE NPT
6	3305640	1	FITTING, NIPPLE
7	3400194	1	PIPE PLUG, BRASS, 3/8
8	600212	3	ISOLATOR, VIBRATION
9	600333	3	WASHER, SAFETY
10	600881	1	MOUNT, REAR OUTER DIESEL ENG
11	600882	1	MOUNT, REAR INNER DIESEL ENG
12	600899	1	MOUNT, FRONT DIESEL ENG
13	600925	3	BOLT, M10-1.50 X 60 HH
14	600945	12	LOCK WASHER, M10
15	620081	1	MOUNT, HARNESS
16	620082	12	BOLT, M10-1.25 X 25 HH ZP
17	620234F	1	ENGINE, DSL, KUBOTA V1505
18	PART OF 620234	1	SWITCH, WATER TEMP (603000)
19	PART OF 620234	1	SWITCH, OIL PRESSURE (603001)
20	REFERENCE	1	FRAME
21	REFERENCE	1	FRAME
22	748535	1	HARNESS ASSY, ENGINE GROUND

## ENGINE MOUNT GROUP - GAS (730164)

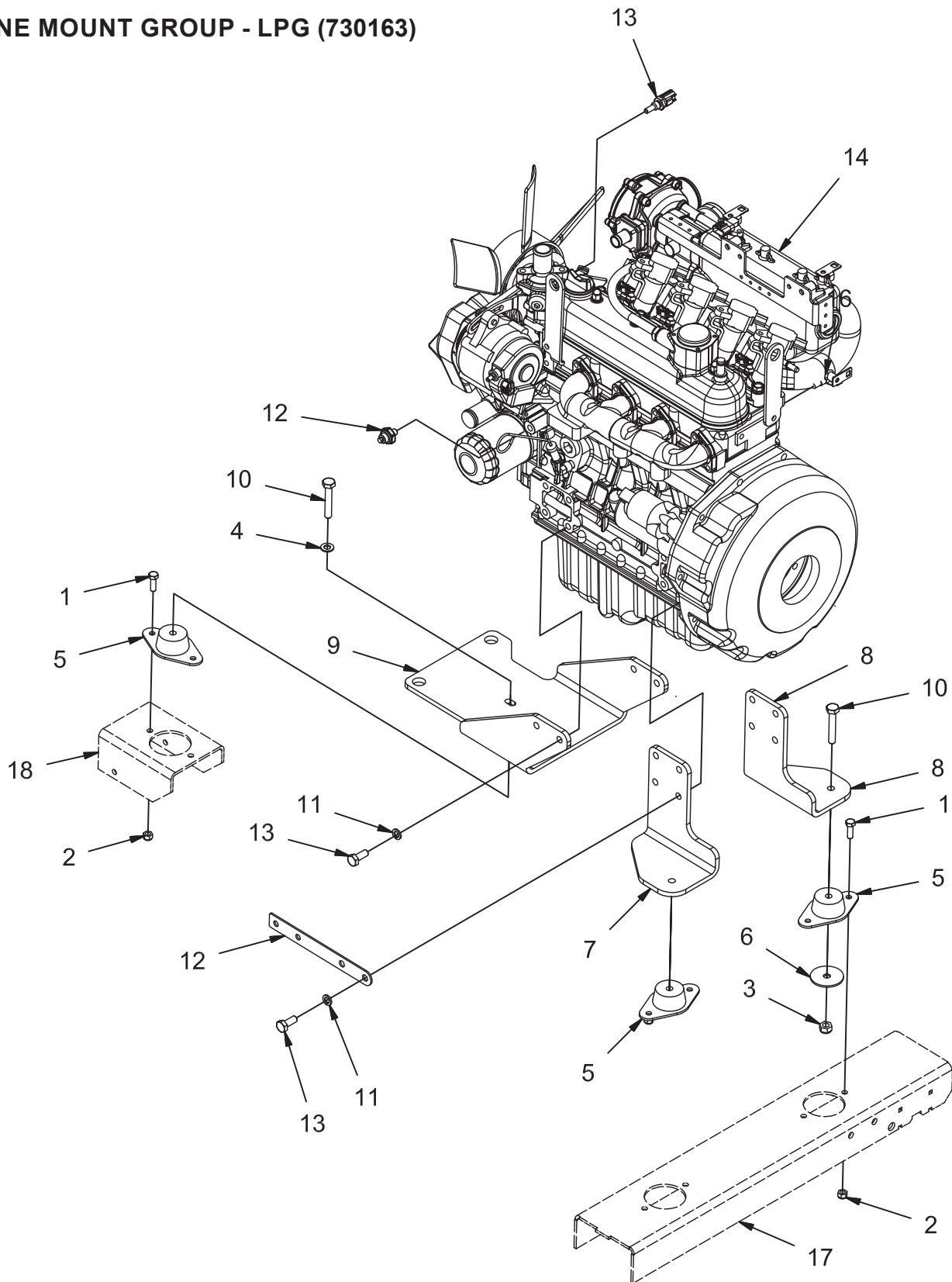


REV B

**ENGINE MOUNT GROUP - GAS (730164)**

<b>Parts List - 730164</b>			
<b>ITEM</b>	<b>PART NO.</b>	<b>QTY</b>	<b>DESCRIPTION</b>
1	11038247	6	BLT-HH M8-1.25 X 25 STL ZINC
2	12040051	6	NUT, M8-1.25 ESN
3	12040069	3	NUT, M10-1.50 ESN
4	12310058	1	WASHER, M10
5	600212	3	ISOLATOR, VIBRATION
6	600333	3	WASHER, SAFETY
7	600881	1	MOUNT, REAR OUTER DIESEL ENG
8	600882	1	MOUNT, REAR INNER DIESEL ENG
9	600899	1	MOUNT, FRONT DIESEL ENG
10	600925	3	BOLT, M10-1.50 X 60 HH
11	600945	12	LOCK WASHER, M10
12	620081	1	MOUNT, HARNESS
13	620082	12	BOLT, M10-1.25 X 25 HH ZP
14	620700	1	KUBOTA GAS ENGINE
15	PART OF 620236	1	SWITCH, OIL PRESSURE (603001)
16	PART OF 620236	1	SWITCH, WATER TEMP (603000)
17	REFERENCE	1	FRAME
18	REFERENCE	1	FRAME
19	748535	1	HARNESS ASSY, ENGINE GROUND

## ENGINE MOUNT GROUP - LPG (730163)

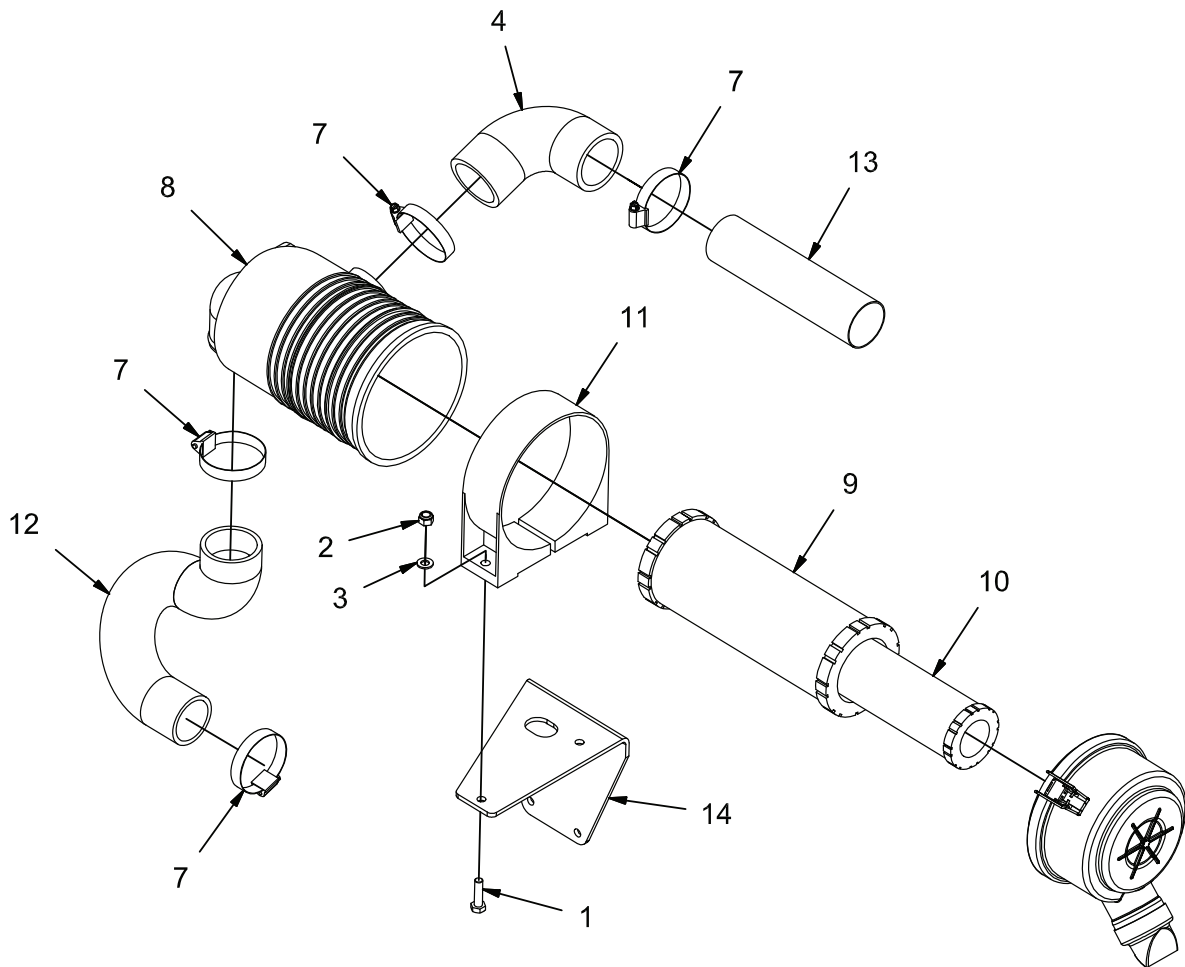


REV B

**ENGINE MOUNT GROUP - LPG (730163)**

<b>Parts List - 730163</b>			
<b>ITEM</b>	<b>PART NO.</b>	<b>QTY</b>	<b>DESCRIPTION</b>
1	11038247	6	BLT-HH M8-1.25 X 25 STL ZINC
2	12040051	6	NUT, M8-1.25 ESN
3	12040069	3	NUT, M10-1.50 ESN
4	12310058	1	WASHER, M10
5	600212	3	ISOLATOR, VIBRATION
6	600333	3	WASHER, SAFETY
7	600881	1	MOUNT, REAR OUTER DIESEL ENG
8	600882	1	MOUNT, REAR INNER DIESEL ENG
9	600899	1	MOUNT, FRONT DIESEL ENG
10	600925	3	BOLT, M10-1.50 X 60 HH
11	600945	12	LOCK WASHER, M10
12	620081	1	MOUNT, HARNESS
13	620082	12	BOLT, M10-1.25 X 25 HH ZP
14	620699	1	KUBOTA ENGINE
15	PART OF 620235	1	SWITCH, OIL PRESSURE (603001)
16	PART OF 620235	1	SWITCH, WATER TEMP (603000)
17	REFERENCE	1	FRAME
18	REFERENCE	1	FRAME
19	748535	1	HARNESS ASSY, ENGINE GROUND

**AIR CLEANER GROUP - DIESEL (730131)**

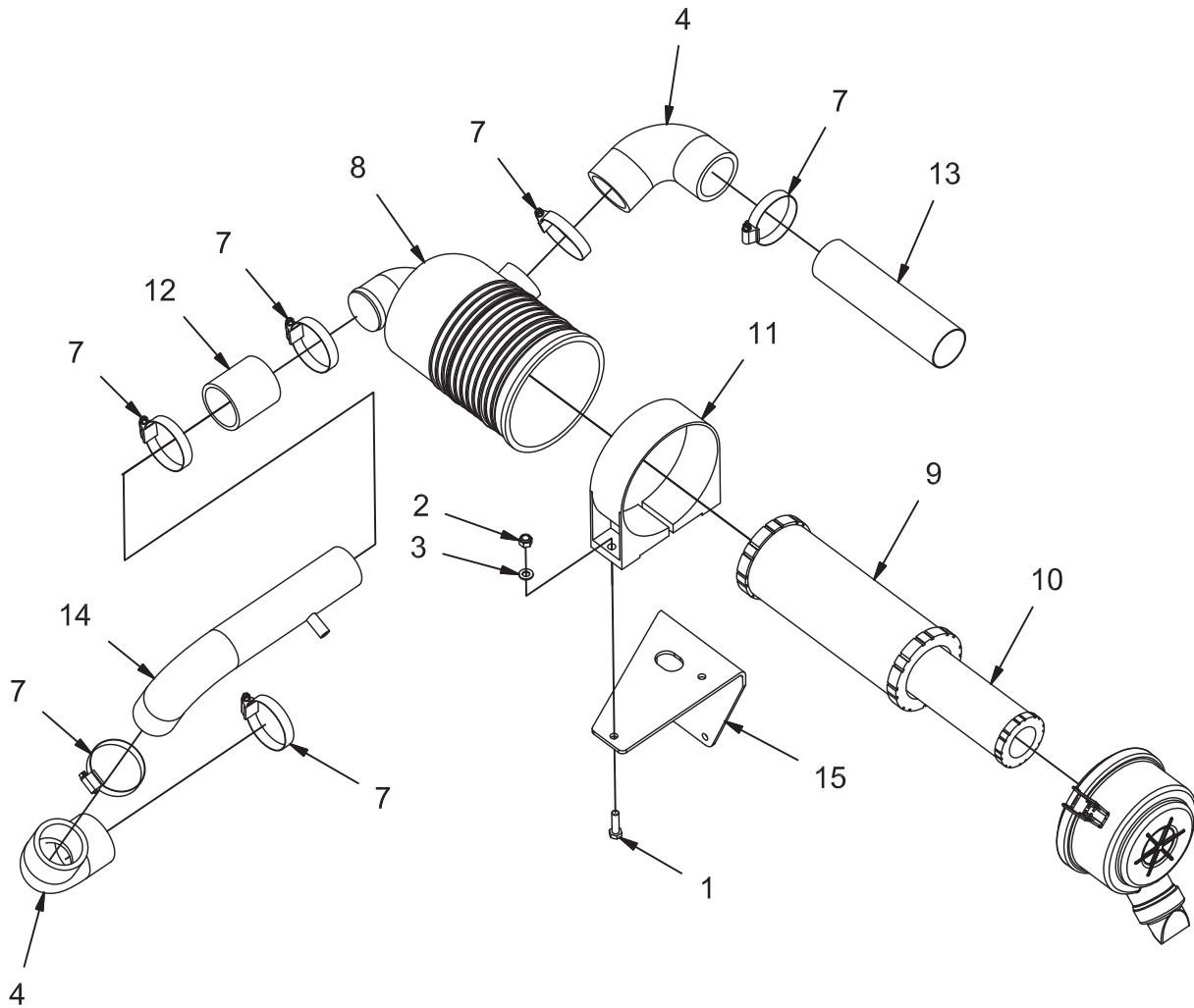


**REV A**

**AIR CLEANER GROUP - DIESEL (730131)**

<b>Parts List - 730131</b>			
<b>ITEM</b>	<b>PART NO.</b>	<b>QTY</b>	<b>DESCRIPTION</b>
1	11038254	2	BOLT, M8-125 X 30 HH
2	12040051	2	NUT, M8-1.25 ESN
3	12310041	2	WASHER, M8
4	3300396	1	ADAPTER, 2" 90
5	3303991	1	INDICATOR, FLTR SERVICE
6	3305640	1	FITTING, NIPPLE
7	3312189	4	CLAMP, HOSE, 2.00
8	3317917	1	HOUSING, AIR FLTR
9	3321143	1	ELEMENT, FLTR, PRIMARY
10	3322572	1	ELEMENT, FLTR, SAFETY
11	600385	1	MOUNTING BAND, AIR CLEANER
12	730319	1	HOSE, AIR INTAKE, DIESEL
13	730393	1	TUBE, AIR CLEANER INTAKE
14	731188	1	MOUNT, AIR CLEANER

## AIR CLEANER GROUP - GAS (730129)



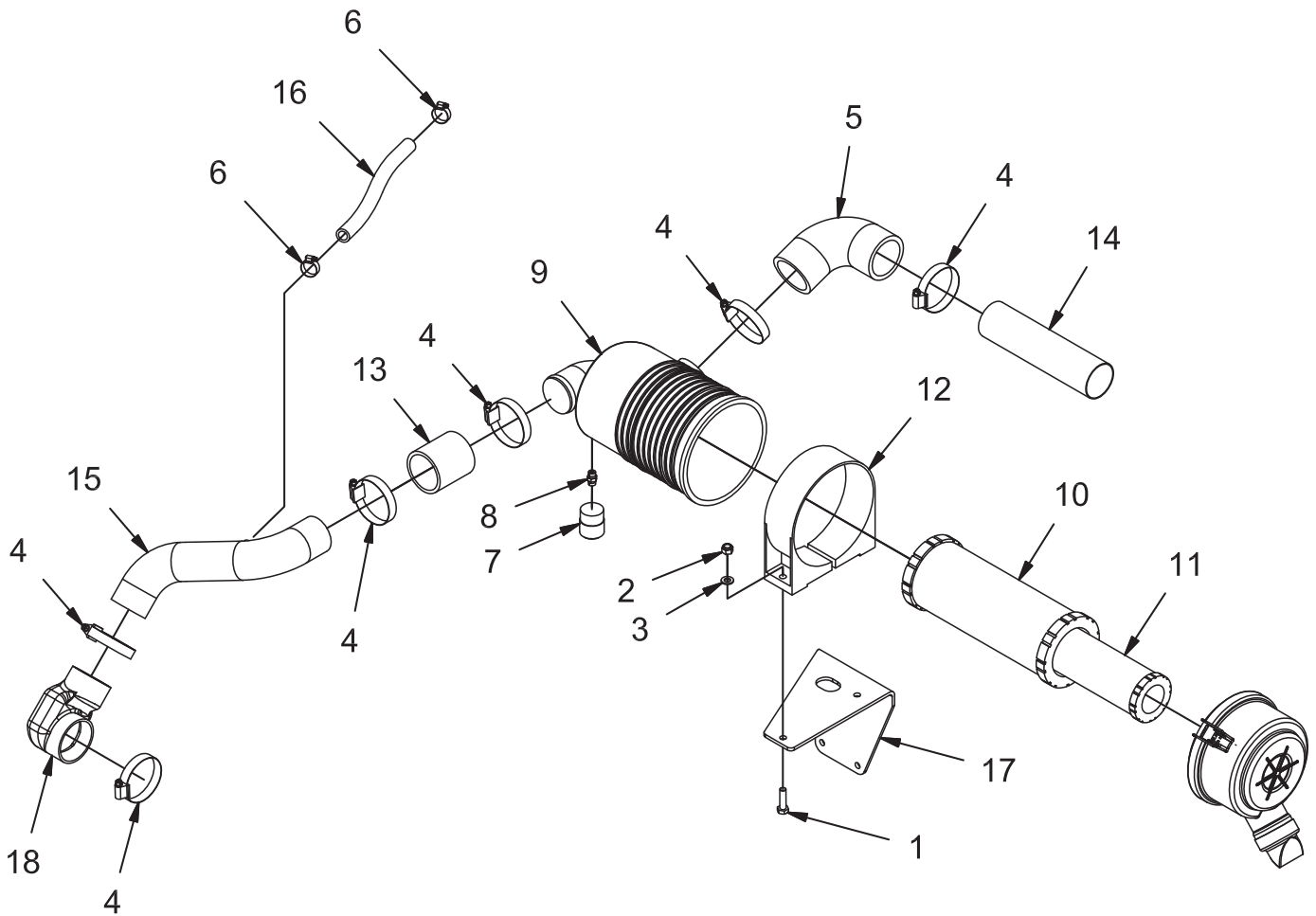
REV C



**AIR CLEANER GROUP - GAS (730129)**

<b>Parts List - 730129</b>			
<b>ITEM</b>	<b>PART NO.</b>	<b>QTY</b>	<b>DESCRIPTION</b>
1	11038254	2	BOLT, M8-125 X 30 HH
2	12040051	2	NUT, M8-1.25 ESN
3	12310041	2	WASHER, M8
4	3300396	2	ADAPTER, 2" 90
5	3303991	1	INDICATOR, FLTR SERVICE
6	3305640	1	FITTING, NIPPLE
7	3312189	6	CLAMP, HOSE, 2.00
8	3317917	1	HOUSING, AIR FLTR
9	3321143	1	ELEMENT, FLTR, PRIMARY
10	3322572	1	ELEMENT, FLTR, SAFETY
11	600385	1	MOUNTING BAND, AIR CLEANER
12	730056	1	HOSE, 2.00 X 3.00
13	730393	1	TUBE, AIR CLEANER INTAKE
14	731110	1	WELDMENT, GAS AIR INTAKE
15	731188	1	MOUNT, AIR CLEANER

## AIR CLEANER GROUP - LPG (730130)

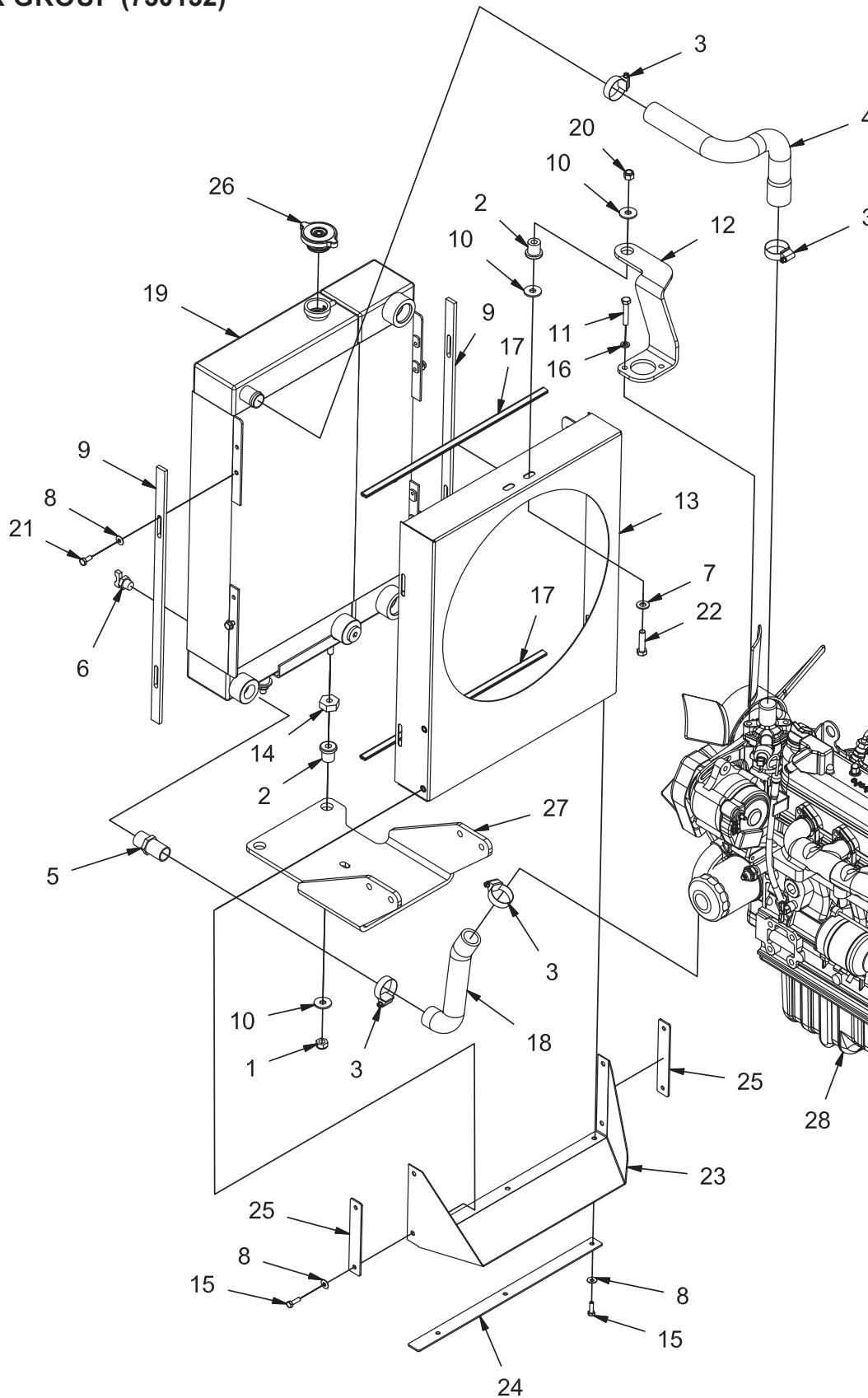


REV D

**AIR CLEANER GROUP - LPG (730130)**

<b>Parts List -</b>			
<b>ITEM</b>	<b>PART NO.</b>	<b>QTY</b>	<b>DESCRIPTION</b>
2	12040051	2	NUT-NYLOC M8 X 1.25 ZP CLASS 8
3	12310041	2	WASHER-FLAT M8.4 X 16 X 1.6 ZP
4	3044112	6	CLAMP - SCREW 1.5" to 2.5" DIA 201SS
5	3300396	1	ADAPTER-90 ELL RUBBER H DUTY AC
6	3300535	2	CLAMP - SCREW .5" to 1.25" DIA 201SS
7	3303991	1	INDICATOR-AIR CLEANER RESTRICTION
8	3305640	1	FTG-NIPPLE 1/8BPT-1/8NPT BRASS
9	3317917	1	AIR CLEANER-RADIAL FPG STYLE(PLASTIC)
10	3321143	1	ELEMENT-AIR CLNR/PLASTIC (SP)
11	3322572	1	ELEMENT-AIR CLNR/PLASTIC SAFETY (SP)
12	600385	1	MOUNT BAND AIR CLEANER
13	730056	1	HOSE 2.00 ID X 3.00 LG
14	730393	1	TUBE, AIR CLEANER INTAKE BLK
15	731128	1	WELDMENT, LPG AIR INTAKE
16	731175	1	HOSE, PCV, 16 IN
17	731188	1	MOUNT, AIR CLEANER BLK
17	731188	1	MOUNT, AIR CLEANER

## RADIATOR GROUP (730132)

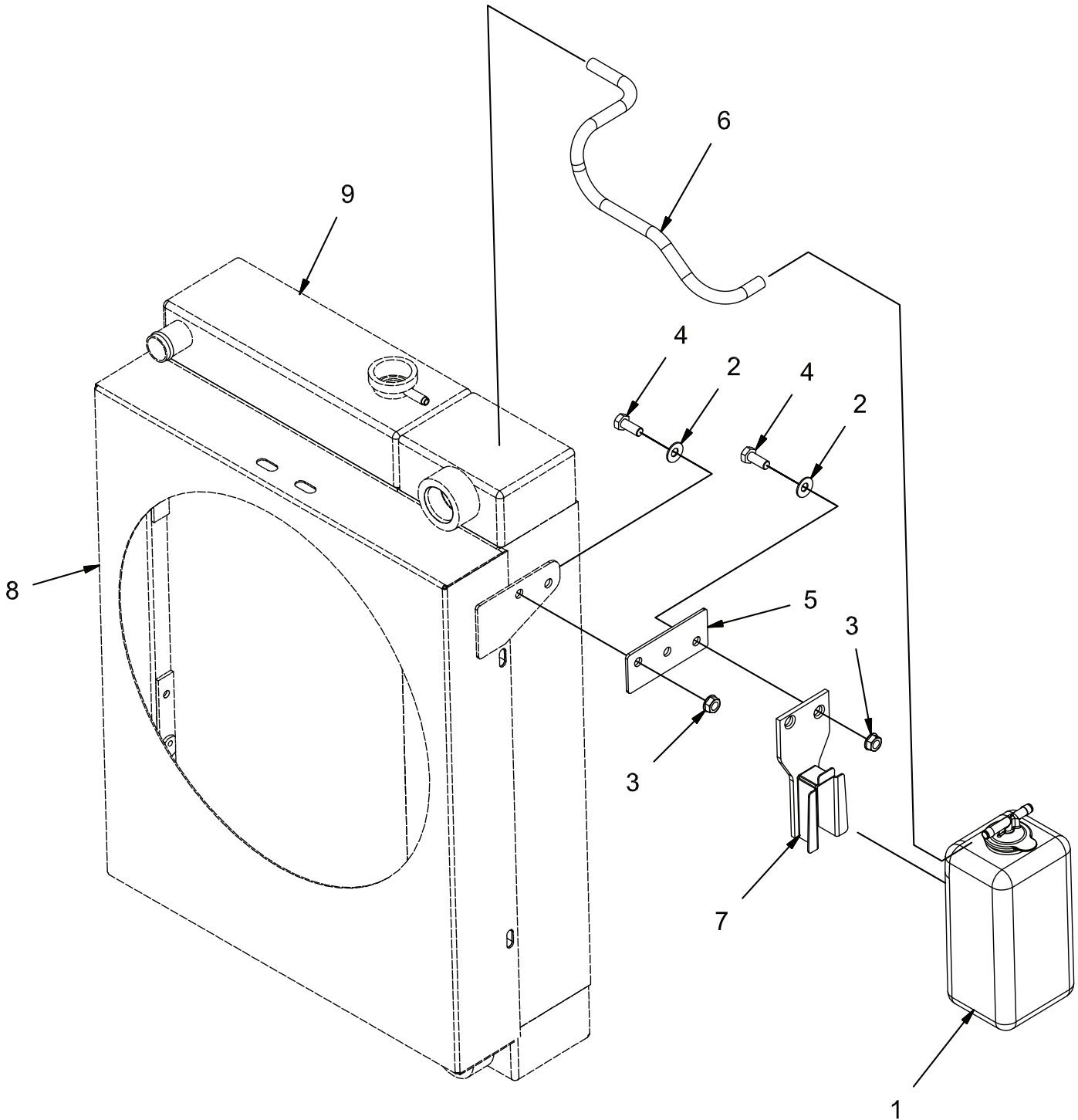


REV D

**RADIATOR GROUP (730132)**

<b>Parts List - 730132</b>			
<b>ITEM</b>	<b>PART NO.</b>	<b>QTY</b>	<b>DESCRIPTION</b>
1	12040069	2	NUT, M10-1.50 ESN
2	3300465	3	ISOLATOR, VIB
3	3302193	4	CLAMP, HOSE, .75 - 1.25
4	3332643	1	HOSE, UPPER RAD, DIESEL
5	3344231	1	FITTING, RADIATOR
6	3344232	1	PETCOCK
7	712301	1	WASHER, 3/8
8	3400383	4	WASHER, 1/4 BELLEVILLE
9	600198	2	SPACER, SHROUD
10	600363	4	WASHER, ISOLATOR
11	600820	2	BOLT, M8-1.25 X 45 HH
12	600867	1	MOUNT, UPPER SHROUD, DIESEL
13	600875-1	1	ASSEMBLY, FAN SHROUD, DIESEL
14	600884	2	SPACER, ISOLATOR
15	600913	7	BOLT, M6-1.00 X 20 HH SS
16	600959	2	LOCK WASHER, M8
17	620064	2	SEAL, SHROUD
18	690020	1	HOSE, LOWER RADIATOR
19	690125	1	RADIATOR - OIL COOLER
20	711380	1	NUT, FIBER INSERT 3/8-16
21	713001	4	SCREW, 1/4-20 X .625 HHC
22	713044	1	SCREW, 3/8-16 X 1.50 HHC
23	731580	1	SHIELD
24	731581	1	RETAINER, BOTTOM
25	731582	2	RETAINER, SIDE
26	PART OF 3336679	1	RADIATOR CAP
27	REFERENCE	1	FRONT ENGINE MOUNT
28	REFERENCE	1	ENGINE

## RADIATOR OVERFLOW BOTTLE GROUP (730133)

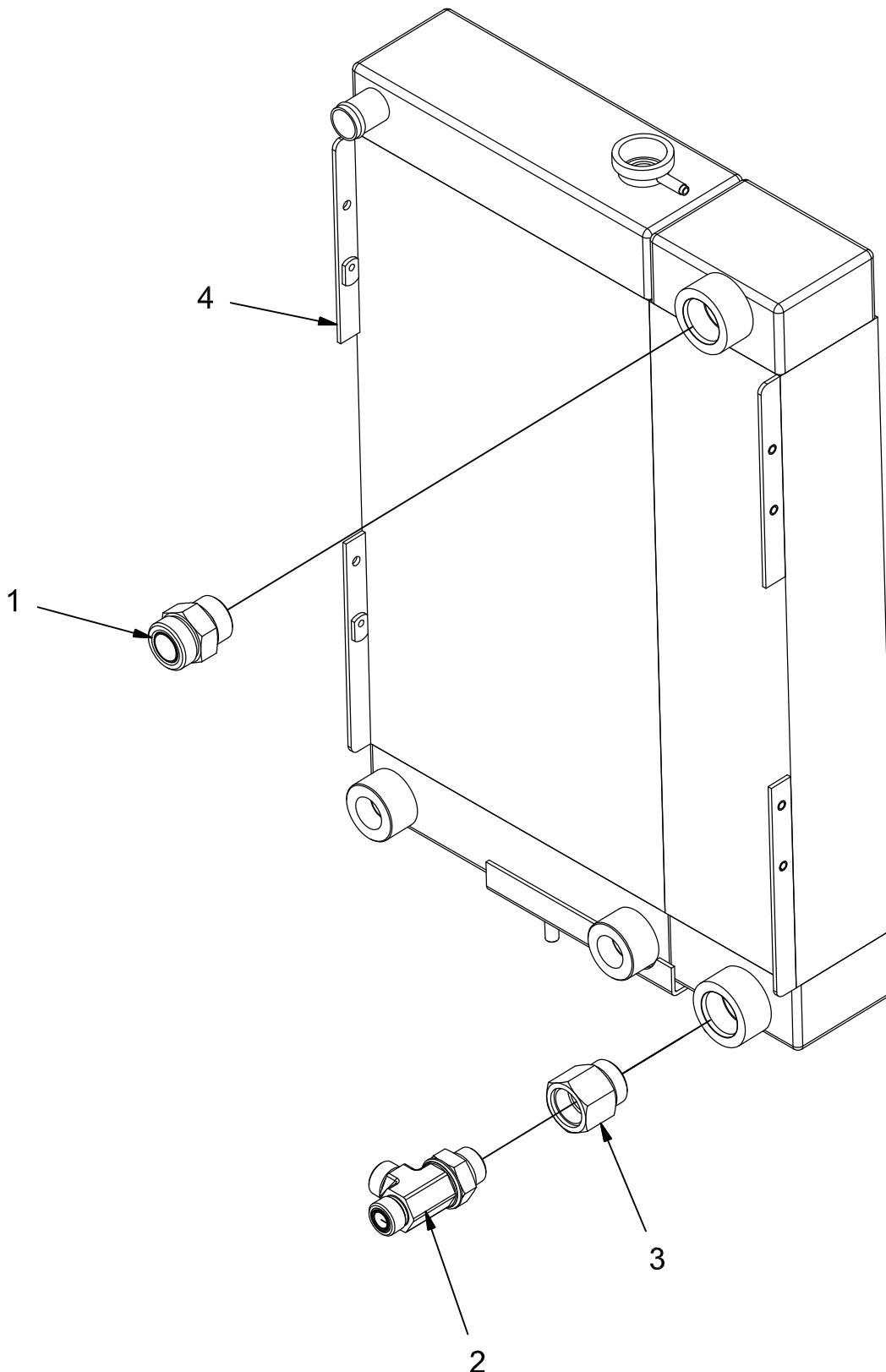


REV A

**RADIATOR OVERFLOW BOTTLE GROUP (730133)**

<b>Parts List - 730133</b>			
<b>ITEM</b>	<b>PART NO.</b>	<b>QTY</b>	<b>DESCRIPTION</b>
1	3318752	1	OVERFLOW BOTTLE
2	3400384	3	WASHER, 5/16 BELLEVILLE
3	600934	3	NUT, M8-1.25 FLNG
4	717024	3	BOLT, M8-1.25 X 20 HH
5	731165	1	MOUNT, OVERFLOW BOTTLE
6	PART OF 3318752	1	HOSE, OVERFLOW
7	PART OF 3318752	1	BRACKET, BOTTLE
8	REFERENCE	1	FAN SHROUD, DIESEL
9	REFERENCE	1	RADIATOR

OIL COOLER GROUP (730134)



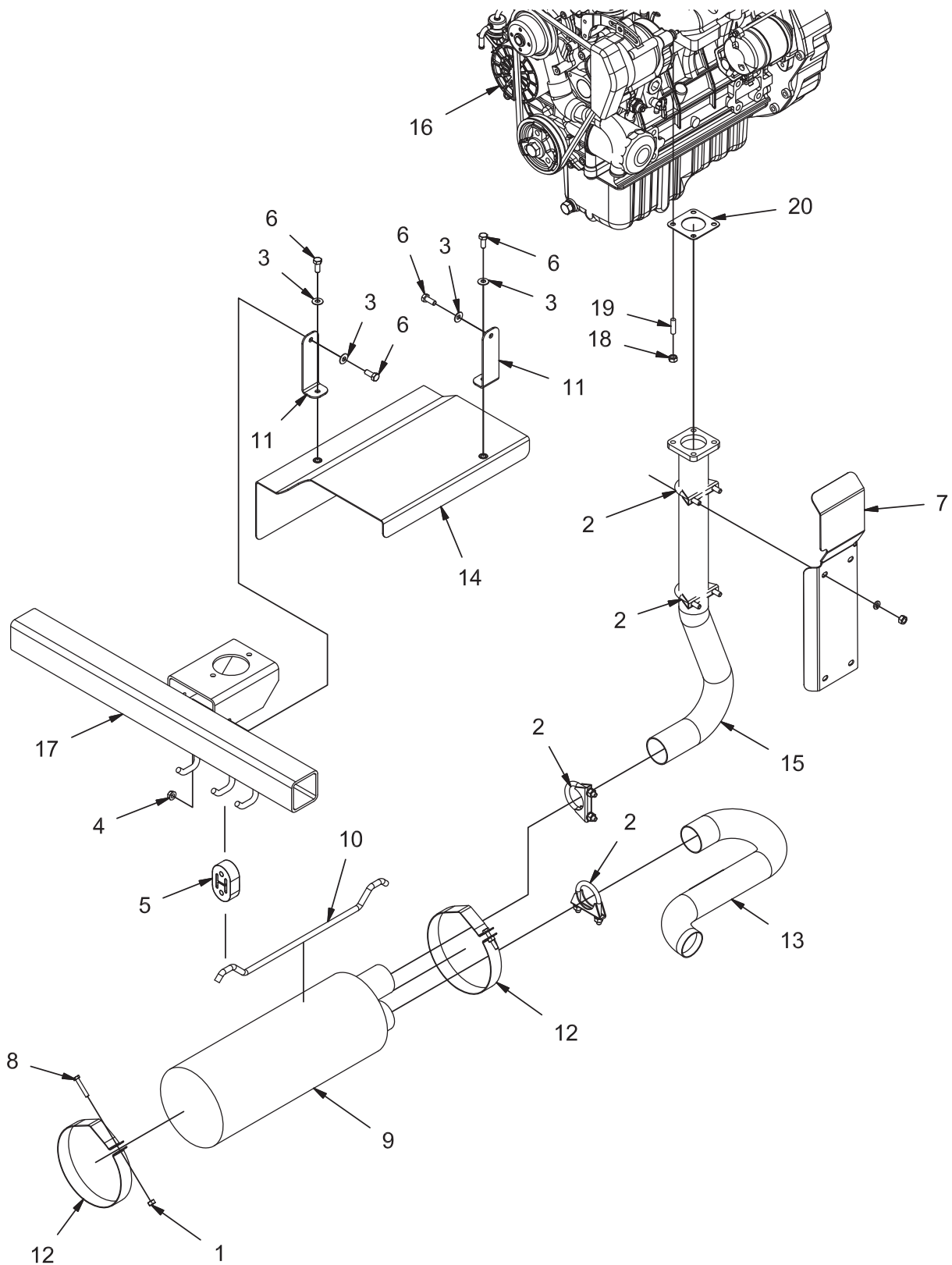
REV \*



**OIL COOLER GROUP (730134)**

<b>Parts List - 730134</b>			
<b>ITEM</b>	<b>PART NO.</b>	<b>QTY</b>	<b>DESCRIPTION</b>
1	675505	1	FITTING, STR, 16 ORFS - 16 SAE
2	675554	1	FITTING, TEE, 10 ORFS - 12 SAE
3	675558	1	FITTING, REDUCER, 16 O-RING TO 12 O-RING
4	REFERENCE	1	RADIATOR - OIL COOLER

## EXHAUST GROUP - DIESEL (730154)

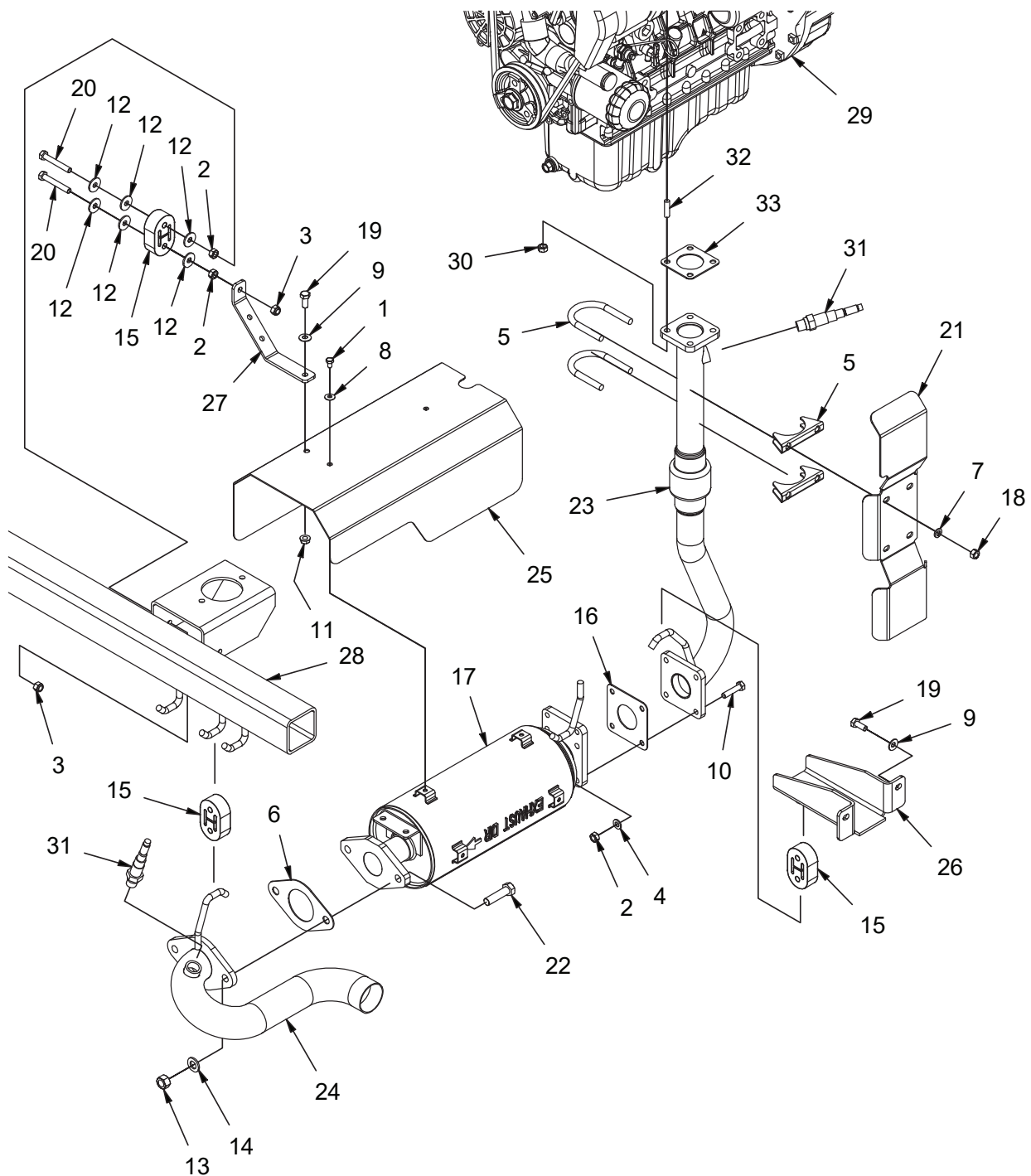


REV F

**EXHAUST GROUP - DIESEL (730154)**

<b>Parts List - 730154</b>			
<b>ITEM</b>	<b>PART NO.</b>	<b>QTY</b>	<b>DESCRIPTION</b>
1	12022042	2	NUT, M6-1.00 HEX
2	3302917	4	CLAMP, EXHAUST, 2 IN
3	3400384	4	WASHER, 5/16 BELLEVILLE
4	600934	1	NUT, M8-1.25 FLNG
5	620205	1	EXHAUST ISOLATOR
6	717024	4	BOLT, M8-1.25 X 20 HH
7	730419	1	HEAT SHIELD
8	730508	2	BOLT, M6-1.00 X 35 HH FULL THREAD SS
9	731177	1	MUFFLER
10	731178	1	HANGER, MUFFLER
11	731179	2	MOUNT, HEAT SHIELD
12	731180	2	STRAP, MUFFLER
13	731219	1	TAIL PIPE
14	731220-1	1	ASSEMBLY, HEAT SHIELD - DIESEL
15	731222	1	EXHAUST PIPE - DIESEL
16	REFERENCE	1	FRAME
17	REFERENCE	1	FRAME
18	WITH ENGINE	1	NUT, M8-1.25 XX
19	WITH ENGINE	1	STUD, M8-1.25
20	WITH ENGINE	1	GASKET, EXHAUST

## EXHAUST GROUP - GAS / LP (730178)



REV C

**EXHAUST GROUP - GAS / LP (730178)**

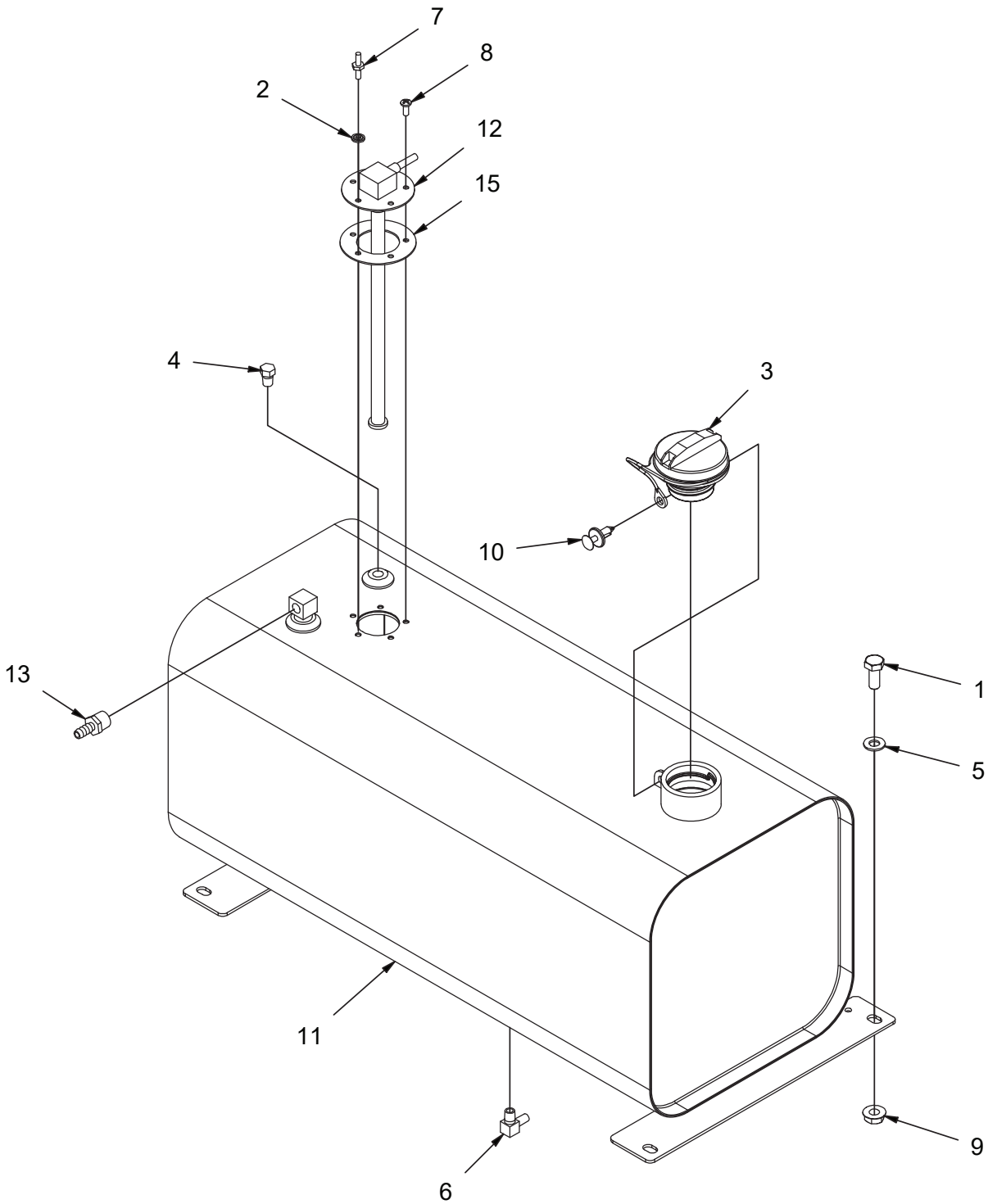
<b>Parts List - 730178</b>			
<b>ITEM</b>	<b>PART NO.</b>	<b>QTY</b>	<b>DESCRIPTION</b>
1	11038056	2	BLT-HH M6 X 1.0 X 10 STL ZD 8.8 DIN 933
2	12022059	6	NUT-HEX M8 X 1.25 STL ZD CL8 DIN 934
3	12040051	2	NUT-NYLOC M8 X 1.25 ZP CLASS 8
4	12310041	4	WASHER-FLAT M8.4 X 16 X 1.6 ZP
5	3301641	2	CLAMP-EXHAUST 1 1/2
6	3345028	1	GASKET-CAT 1605 INLET
7	711545	4	WASHER-LOCK 5/16 SPLIT ZP
8	3400383	2	WASHER-CONICAL SPRING 1/4
9	3400384	3	WASHER-CONICAL SPRING 5/16
10	600918	4	SCR-HH M8-1.25 X 35 ZP CLASS 8.8
11	600934	1	NUT-FLANGE WIZZ M8-1.25 ZP
12	600940	6	WASHER-FENDER M8 X 24 ZP
13	600949	2	NUT-HEX M12-1.75 ZP CLASS 8
14	600950	2	WASHER-FLAT M12 ZP
15	620205	3	EXHAUST ISOLATOR
16	690190	1	GASKET, CATALYST, 4 BOLT - 9X LP/GAS
17	690191	1	CATALYTIC CONVERTER, LP-GAS
18	711319	4	NUT-HEX 5/16-18 ZP
19	717024	3	SCR-HH M8-1.25 X 20 ZP GRADE 8.8
20	730507	2	SCR-HH M8-1.25 X 55 SS
21	730665	1	HEAT SHIELD ALUM, RAW
22	730667	2	SCR-HH M12-1.75 X 45 ZP CLASS 8.8
23	731327	1	WELDMENT, EXHAUST PIPE, GAS - LPG
24	731328	1	WELDMENT, EXHAUST PIPE
25	731432	1	HEAT SHIELD
26	731465	1	WELDMENT, EXHAUST HANGER
27	731483	1	BAR, HANGER
28	REFERENCE	1	FRAME, ENGINE TUBE
29	REFERENCE	1	ENGINE
30	WITH ENGINE	1	NUT, M8-1.25 SS
31	WITH ENGINE	1	O2 SENSOR
32	WITH ENGINE	1	STUD, M8-1.25
33	WITH ENGINE	1	GASKET, EXHAUST



**FUEL TANK MOUNT GROUP - DIESEL (730140)**

<b>Parts List - 730140</b>			
<b>ITEM</b>	<b>PART NO.</b>	<b>QTY</b>	<b>DESCRIPTION</b>
1	3337019	1	SEAL - #10 BONDED NITRILE WASHER
2	3343413	1	CAP-FUEL TANK
3	3400384	4	WASHER-CONICAL SPRING 5/16
4	3401445	1	FTG-HOSE BARB 90° 5/16 X 1/4 NPT
5	3401579	1	SCR - HEX STANDOFF, 2X 10-32X.50 LG
6	3401636	4	SCR-PHMS 10-32 X .50 SS W/O-RING
7	3402022	1	FTG-ELBOW 90 1/4 MPT X 1/4 HB BRASS
8	600934	4	NUT-FLANGE W/ZZ M8-1.25 ZP
9	600965	1	FASTENER-PUSH TYPE RETAINER
10	717024	4	SCR-HH M8-1.25 X 20 ZP GRADE 8.8
11	730313	1	TANK, FUEL
12	731217-1	1	SENDING UNIT, FUEL LEVEL
13	731387	1	FTG-ADAPTER 3/8 NPT X 5/16 HB BRASS
14	PART OF 731217-1	1	GASKET

## FUEL TANK MOUNT GROUP - GAS (730139)



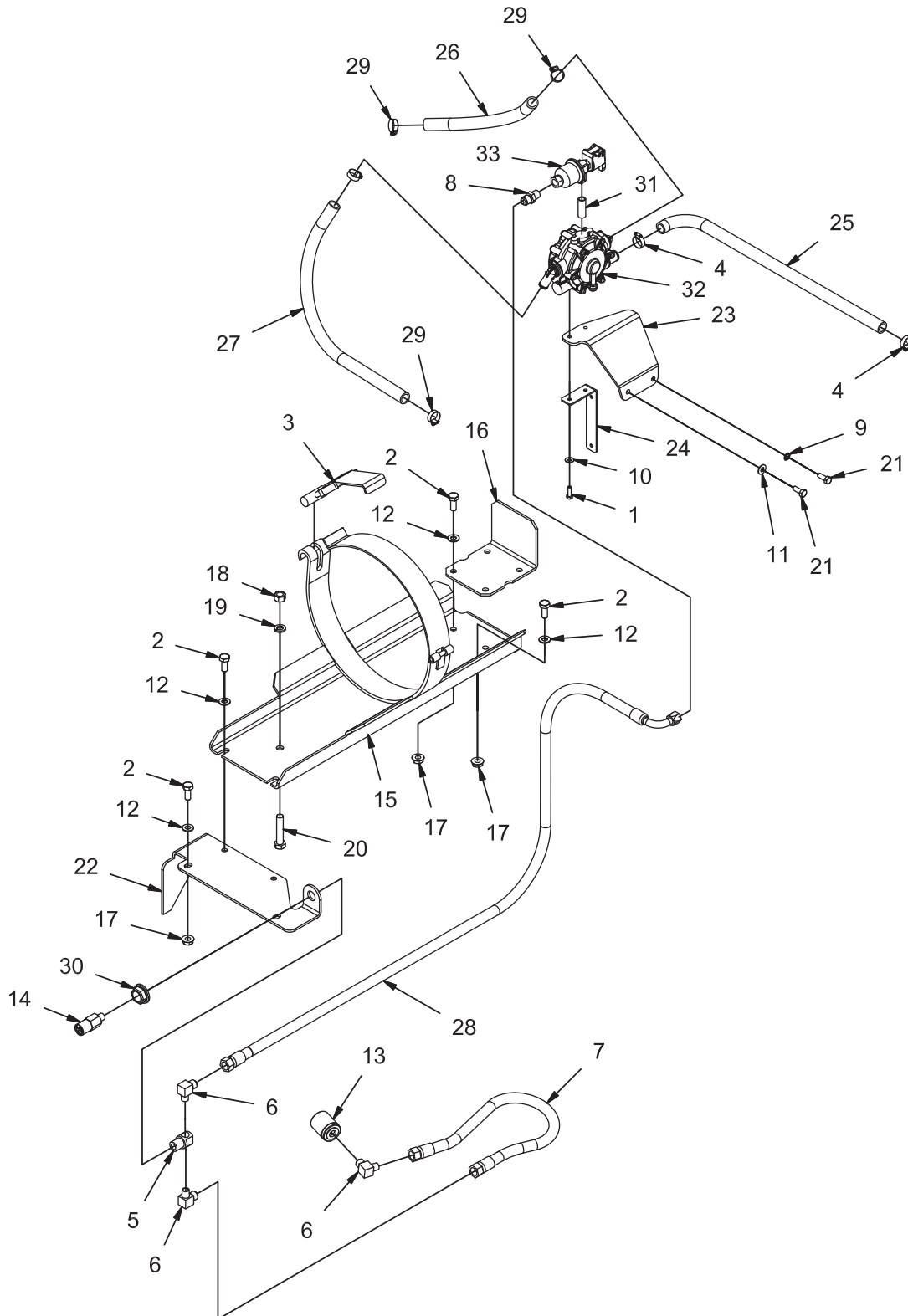
REV D



**FUEL TANK MOUNT GROUP - GAS (730139)**

<b>Parts List - 730139</b>			
<b>ITEM</b>	<b>PART NO.</b>	<b>QTY</b>	<b>DESCRIPTION</b>
1	11038346	4	BOLT, M10-1.50 X 25 HH
2	3337019	1	SEAL, #10
3	3343413	1	CAP, FUEL TANK
4	3400256	1	PLUG, 1/4 NPT
5	3400385	4	WASHER, 3/8, BELLEVILLE
6	3401445	1	FITTING, 90, 1/4 NPT X 5/16 BARB
7	3401579	1	SCREW, HEX, STANDOFF, 2X #10-32 X .50
8	3401636	4	SCR-PHMS 10-32 X .50 SS W/O-RING
9	600936	4	NUT, M10-1.50 FLNG
10	600965	1	FASTENER, PRESS-IN
11	730313	1	TANK, FUEL
12	731217-1	1	SENDING UNIT, FUEL LEVEL
13	731387	1	FITTING, 3/8 NPT - 5/16 HOSE BARB
14	748990-1	1	HARNESS, FUEL PUMP
15	PART OF 731217-1	1	GASKET

## CYLINDRICAL LPG TANK MOUNT GROUP (730138)

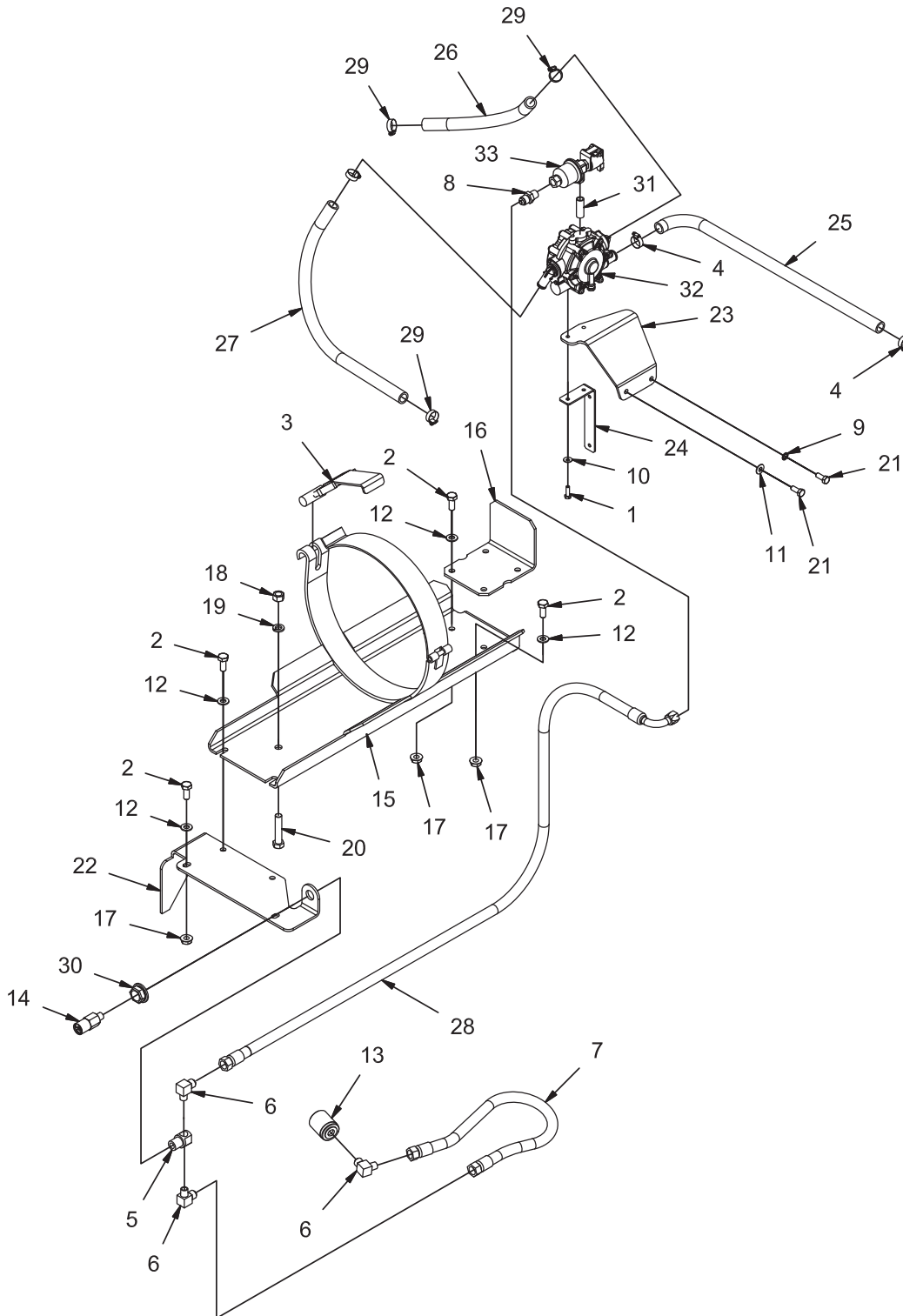


REV G

**CYLINDRICAL LPG TANK MOUNT GROUP (730138)**

<b>Parts List - 730138</b>			
<b>ITEM</b>	<b>PART NO.</b>	<b>QTY</b>	<b>DESCRIPTION</b>
1	11038098	2	BOLT, M6-100 X 20 HH
2	11038346	8	BOLT, M10-1.50 X 25 HH
3	220131	1	BUCKLE
4	3300535	2	CLAMP, HOSE, .50
5	3316511	1	BODY, VALVE MOUNT
6	3334037	3	FITTING, 90, BRASS, LPG
7	3335375	1	HOSE, LPG, TO TANK
8	3342097	1	FTG SAE 5/8-18 45 DEGREE FLARE
9	3400273	1	WASHER, STAR, .31, INT. ZP
10	3400383	2	WASHER, 1/4 BELLEVILLE
11	3400384	1	WASHER, 5/16 BELLEVILLE
12	3400385	8	WASHER, 3/8, BELLEVILLE
13	3400860	1	FTG-LP TANK CONNECT
14	3400862	1	LPG RELIEF VALVE
15	600459-1	1	WELDMENT, LPG MNT
16	600461-1	1	ANGLE, LPG STOP
17	600936	8	NUT, M10-1.50 FLNG
18	600949	1	NUT, M12-1.75
19	600961	1	LOCK WASHER, M12
20	620036	1	BOLT, M12-1.75 X 60 HH FULL THREAD
21	717024	2	BOLT, M8-1.25 X 20 HH
22	730533	1	MOUNT, LPG VALVE
23	730890	1	BRACKET, VAPORIZER
24	731164	1	MOUNT, FUSE BOX
25	731167	1	HOSE, VAPORIZER TO CARB
26	731173	1	HOSE, COOLANT, 5/8" ID X 15.0" LG
27	731174	1	HOSE, COOLANT, 5/8" ID X 43.0" LG
28	731186	1	HOSE, LPG TANK TO VAPORIZER
29	829129	4	CLAMP, HOSE
30	PART OF 3316511	1	NUT, VALVE MOUNT
31	PART OF ENGINE	1	FITTING, NIPPLE
32	PART OF ENGINE	1	VAPORIZER (13098-62401)
33	PART OF ENGINE	1	SOLENOID AND LOCK OFF (EG523-46951)

## CE CYLINDRICAL LPG TANK MOUNT GROUP (730138-CE)

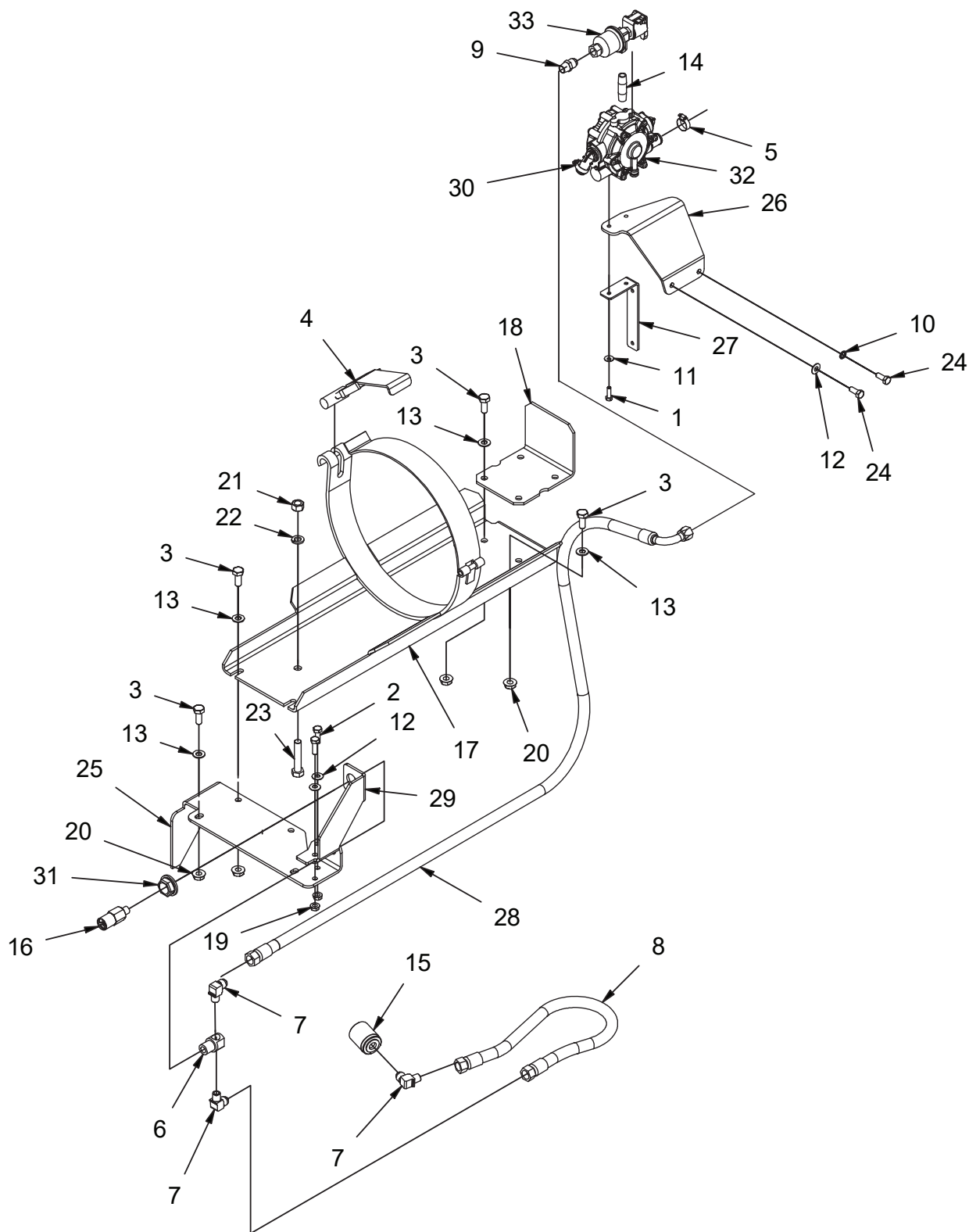


REV B

**CE CYLINDRICAL LPG TANK MOUNT GROUP (730138-CE)**

<b>Parts List - 730138-CE</b>			
<b>ITEM</b>	<b>PART NO.</b>	<b>QTY</b>	<b>DESCRIPTION</b>
1	11038098	2	SCR-HH M6-1.0 X 20 ZP CLASS 8.8 DIN
2	11038346	8	SCR-HH M10-1.5 X 25 ZD CLASS 8.8
3	220131	1	BUCKLE
4	3300535	2	CLAMP-HOSE 1.00 NOM
5	3316511	1	FITTING, BULKHEAD ASSEMBLY
6	3334037	3	FTG-MALE ELBOW 49 X 6
7	3335375-CE	1	FTG-LP TANK CONNECT
8	3342097	1	3/8 MALE SAE FLARE X 1/4 NPT
9	3400273	1	WASHER-INT LOCK 5/16 ZP
10	3400383	2	WASHER-CONICAL SPRING 1/4
11	3400384	1	WASHER-CONICAL SPRING 5/16
12	3400385	8	WASHER-CONICAL SPRING 3/8
13	3400860	1	FTG-LP TANK CONNECT
14	3400862	1	VALVE-LP RELIEF
15	600459-1	1	WELDMENT, LPG MOUNT
16	600461-1	1	LPG MNT, STOP
17	600936	8	NUT-FLANGE WIZZ M10-1.50 ZP GR 8
18	600949	1	NUT-HEX M12-1.75 ZP CLASS 8
19	600961	1	WASHER-LOCK M12 STL ZP CLEAR
20	620036	1	SCR-HH M12-1.75 X 60 ZP CLASS 8.8
21	717024	2	SCR-HH M8-1.25 X 20 ZP GRADE 8.8
22	730533	1	MOUNT, LPG VALVE DG
23	730890	1	BRACKET, VAPORIZER DG
24	731164	1	MOUNT, FUSE BOX
25	731167-CE	1	FTG-LP TANK CONNECT
26	731173	1	HOSE, COOLANT, 5/8 IN ID X 15.0 IN LG
27	731174	1	HOSE, COOLANT, 5/8 IN ID X 43.0 IN LG
28	731186-CE	1	FTG-LP TANK CONNECT
29	829129	4	CLAMP-HOSE WORM-DRV8
30	PART OF 3316511	1	NUT, VALVE MOUNT
31	PART OF ENGINE	1	FITTING, NIPPLE
32	PART OF ENGINE	1	VAPORIZER (13098-62401)
33	PART OF ENGINE	1	SOLENOID AND LOCK OFF (EG523-46951)

## DISC LPG TANK MOUNT GROUP (730138-D)

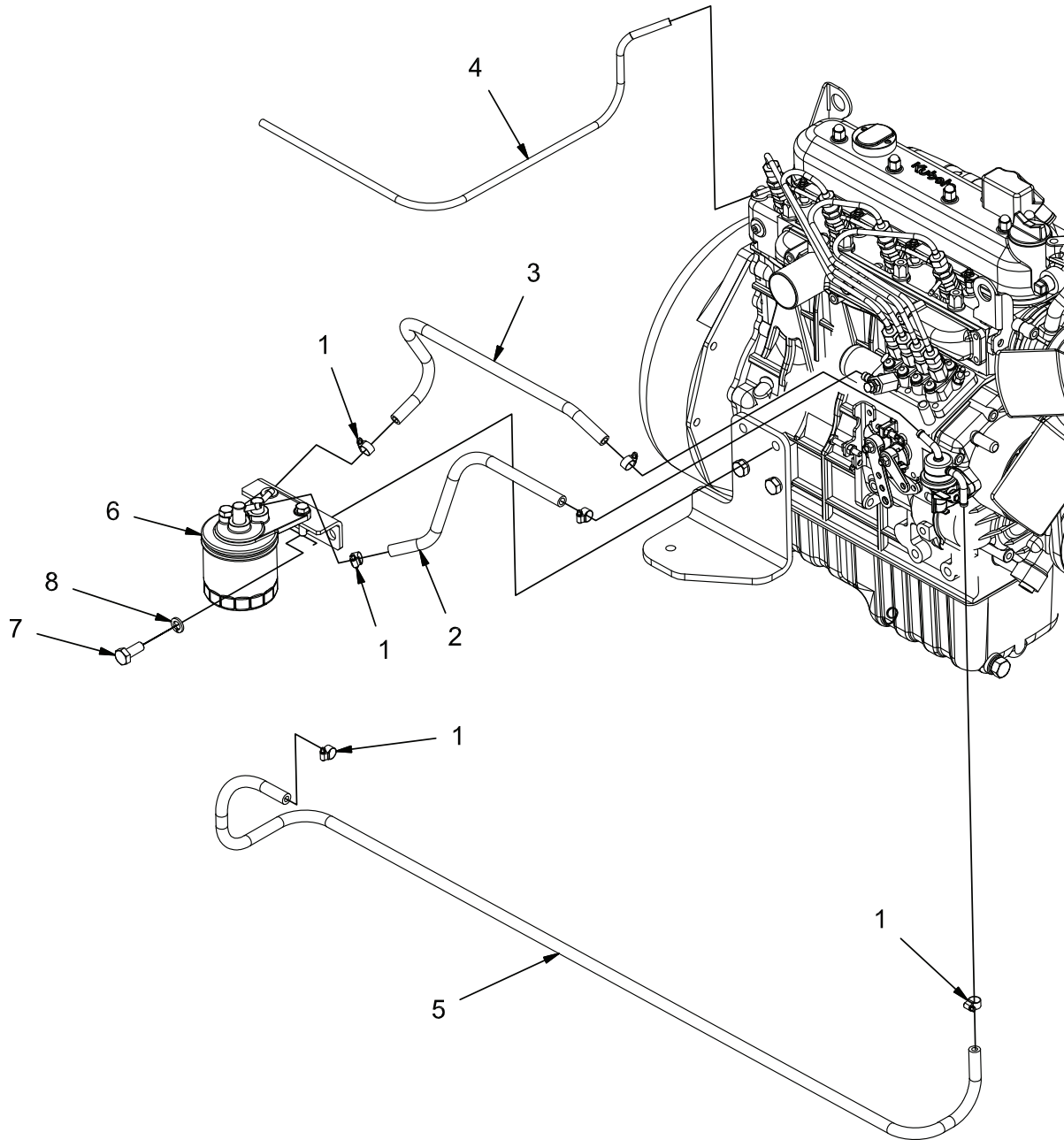


REV A

**DISC LPG TANK MOUNT GROUP (730138-D)**

<b>Parts List - 730138-D</b>			
<b>ITEM</b>	<b>PART NO.</b>	<b>QTY</b>	<b>DESCRIPTION</b>
1	11038098	2	SCR-HH M6-1.0 X 20 ZP CLASS 8.8 DIN
2	11038247	2	SCR-HH M8-1.25 X 25 ZP CLASS 8.8
3	11038346	8	SCR-HH M10-1.5 X 25 ZD CLASS 8.8
4	220131	1	BUCKLE
5	3300535	1	CLAMP - SCREW .5" to 1.25" DIA 201SS
6	3316511	1	FITTING, BULKHEAD ASSEMBLY
7	3334037	3	FTG-MALE ELBOW 49 X 6
8	3335375	1	HOSE - 5/16 LP 28.5 SAE 45 ST#6 ST#6
9	3342097	1	3/8 MALE SAE FLARE X 1/4 NPT
10	3400273	1	WASHER-INT LOCK 5/16 ZP
11	3400383	2	WASHER-CONICAL SPRING 1/4
12	3400384	3	WASHER-CONICAL SPRING 5/16
13	3400385	8	WASHER-CONICAL SPRING 3/8
14	3400498	1	FTG-NIPPLE 1/4 NPT X 2.00 LG BRASS
15	3400860	1	FTG-LP TANK CONNECT
16	3400862	1	VALVE-LP RELIEF
17	600459-1	1	WELDMENT, LPG MOUNT
18	600461-1	1	LPG MNT, STOP
19	600934	2	NUT-FLANGE WIZZ M8-1.25 ZP
20	600936	8	NUT-FLANGE WIZZ M10-1.50 ZP CLASS 8
21	600949	1	NUT-HEX M12-1.75 ZP CLASS 8
22	600961	1	WASHER-LOCK M12 STL ZP CLEAR
23	620036	1	SCR-HH M12-1.75 X 60 ZP CLASS 8.8
24	717024	2	SCR-HH M8-1.25 X 20 ZP GRADE 8.8
25	730533	1	MOUNT, LPG VALVE DG
26	730890	1	BRACKET, VAPORIZER DG
27	731164	1	MOUNT, FUSE BOX
28	731186	1	HOSE, LPG, 6 SAE STR - 6 SAE 90
29	731966	1	BRKT, DUAL TANK CHECK VALVE SUPPORT
30	829129	4	CLAMP - SCREW .313" to .875" DIA 301SS
31	PART OF 3316511	1	NUT, VALVE MOUNT
32	PART OF ENGINE	1	VAPORIZER (13098-62401)
33	PART OF ENGINE	1	SOLENOID AND LOCK OFF (EG523-46951)

## FUEL LINE GROUP - DIESEL (730153)



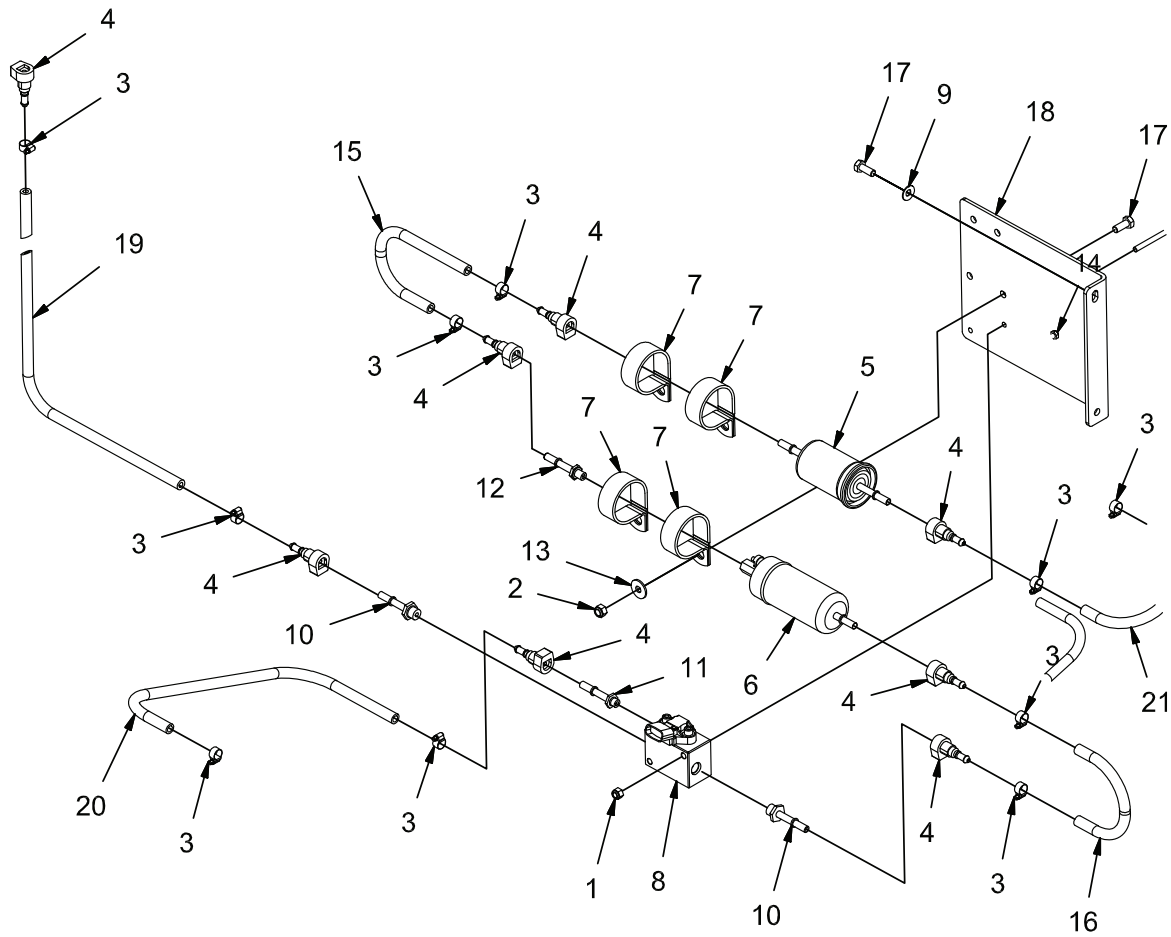
REV \*



**FUEL LINE GROUP - DIESEL (730153)**

<b>Parts List - 730153</b>			
<b>ITEM</b>	<b>PART NO.</b>	<b>QTY</b>	<b>DESCRIPTION</b>
1	3302338	6	CLAMP, HOSE, .50
2	620001	1	HOSE.FUEL, 5/16 ID 12.00 LG, SAE30R7
3	620061	1	HOSE.FUEL, 5/16 ID 18.00 LG, SAE30R7
4	PART OF ENGINE		HOSE, FUEL, 1/8 ID SAE30R7
5	PART OF ENGINE		HOSE - FUEL 5/16 ID 18.00 LG SAE30R7
6	PART OF ENGINE		FUEL FILTER ASSEMBLY
7	REFERENCE		BOLT, M10-1.50 X 25 HH
8	REFERENCE		LOCKWASHER, M10
9	REFERENCE		ENGINE

## FUEL COMPONENT GROUP - GAS (730141)

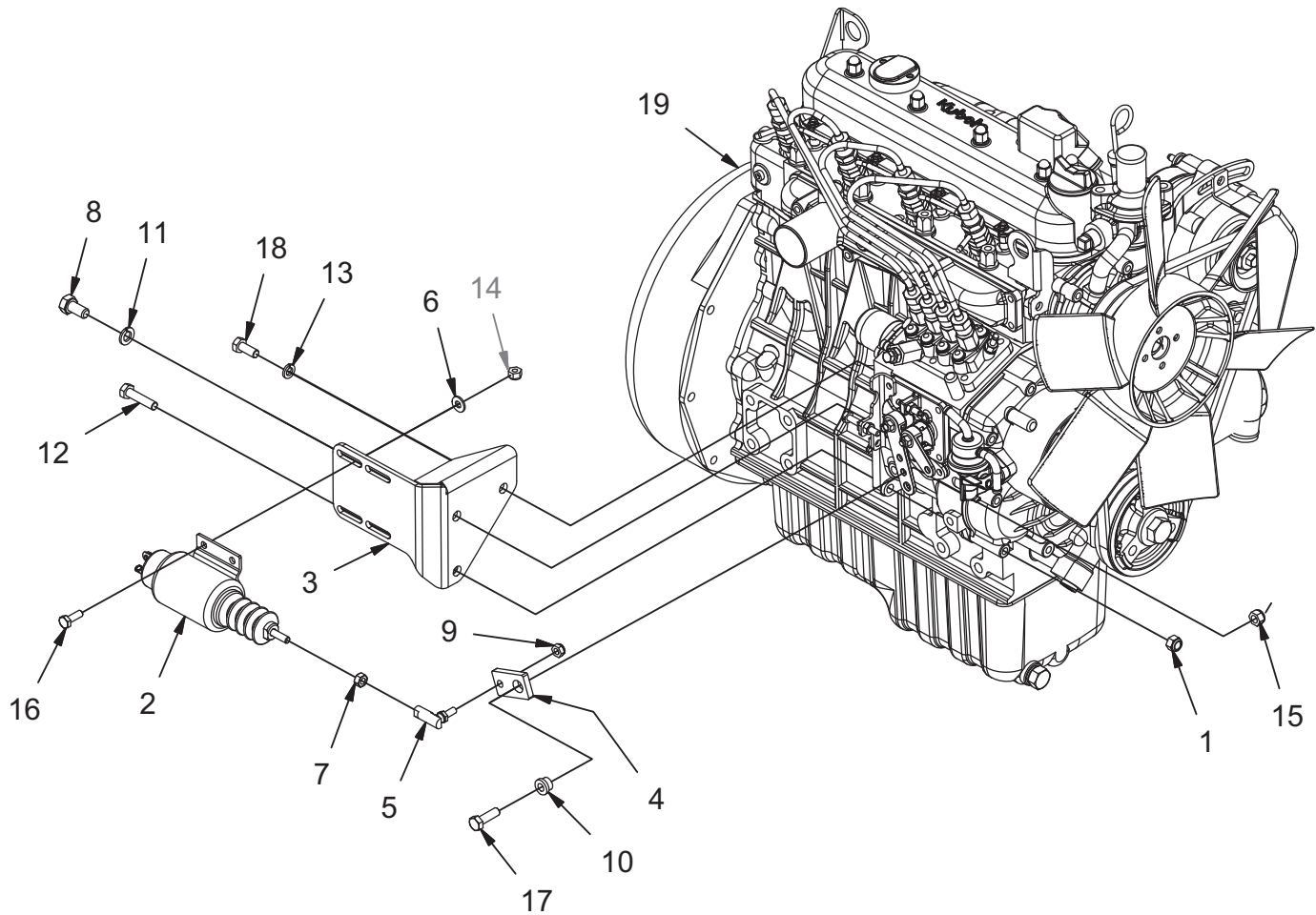


REV \*

**FUEL COMPONENT GROUP - GAS (730141)**

<b>Parts List - 730141</b>			
<b>ITEM</b>	<b>PART NO.</b>	<b>QTY</b>	<b>DESCRIPTION</b>
1	12040044	2	NUT, M6-1.00 ESN
2	12040051	4	NUT, M8-1.25 ESN
3	3302338	10	CLAMP, HOSE, .50
4	3342207	8	FITTING, ADAPTER, FUEL
5	3342209	1	FILTER, FUEL
6	3343536	1	PUMP, FUEL
7	3343539	4	CLAMP' 2"
8	3343617	1	MANIFOLD, FUEL PRESSfTEMP
9	3400384	2	WASHER, 5/16 BELLEVILLE
10	3401088	2	FTG-ADAPTER, FUEL 1/2-20 W/0-RING
11	3401089	1	FTG-ADAPTER, FUEL 3/8-24 W/0-RING
12	3401090	1	FITTING & GASKET FOR FUEL PUMP
13	600940	4	WASHER, M8 FENDER
14	600953	2	BOLT, M6-1.00 X 50 HH
15	731158	1	HOSE.FUEL, 5/16 ID X 3.00 LG, SAE30R7
16	620002	1	HOSE,FUEL, 5/16 ID X 10.00 LG, SAE30R7
17	717024	6	BOLT, M8-1.25 X 20 HH
18	730311	1	MOUNT, FUEL FILTER
19	620249	1	HOSE - FUEL 5/16 ID 40.00 LG, EVAP RATED
20	620250	1	HOSE - FUEL 5/16 ID 20.00 LG, EVAP RATED
21	620251	1	HOSE - FUEL 5/16 ID 32.00 LG, EVAP RATED

## THROTTLE SOLENOID GROUP - DIESEL (730151)

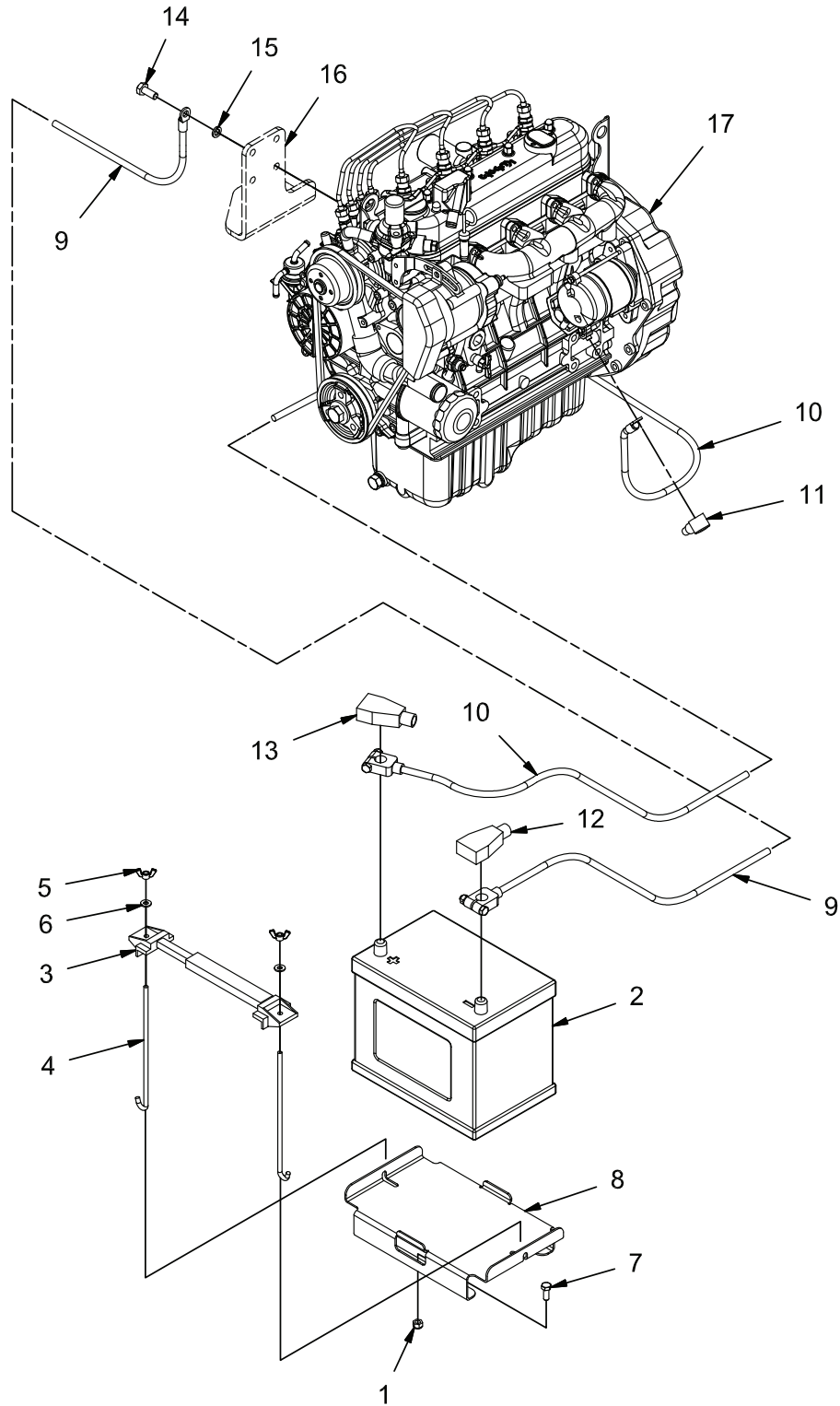


REV B

**THROTTLE SOLENOID GROUP - DIESEL (730151)**

<b>Parts List - 730151</b>			
<b>ITEM</b>	<b>PART NO.</b>	<b>QTY</b>	<b>DESCRIPTION</b>
1	12040051	1	NUT-NYLOC M8 X 1.25 ZP CLASS 8
2	3335303	1	SOLENOID-THROTTLE SOLENOID KIT V1505
3	3335358	1	BRKT-THROTTLE SOLENOID MOUNT
4	3335364	1	PLATE- KBA V1505 DSL SOLENOID THRTTLE
5	3342225	1	BALL JOINT 1/4-28 STD LG
6	711505	4	WASHER-FLAT 1/4 ZP
7	3400180	1	NUT-HEX 1/4-28 ZP GR 5
8	3400293	1	SCR-HH M10-1.25PX20 ZP CLASS 8.8
9	3400373	1	NUT-JAM 1/4-28 ZP NYLOC
10	3401071	1	BUSHING-FLING .312 ID X .50 OD X .375L
11	600945	1	WASHER-LOCK 10MM SPLIT ZP
12	600918	1	SCR-HH M8-1.25 X 35 ZP CLASS 8.8
13	600959	2	WASHER-LOCK M8 ZINC SPLIT
14	711373	4	NUT-NYLOC 1/4-20 ZP
15	711374	1	NUT-NYLOC 5/16-18 ZP
16	713002	4	SCR-HH 1/4-20 X .75 ZP 5
17	3400035	1	SCR-HH 5/16-18 X 1 ZP GR 5
18	717024	1	SCR-HH M8-1.25 X 20 ZP GRADE 8.8
19	REFERENCE	1	ENGINE

## BATTERY GROUP (730142)

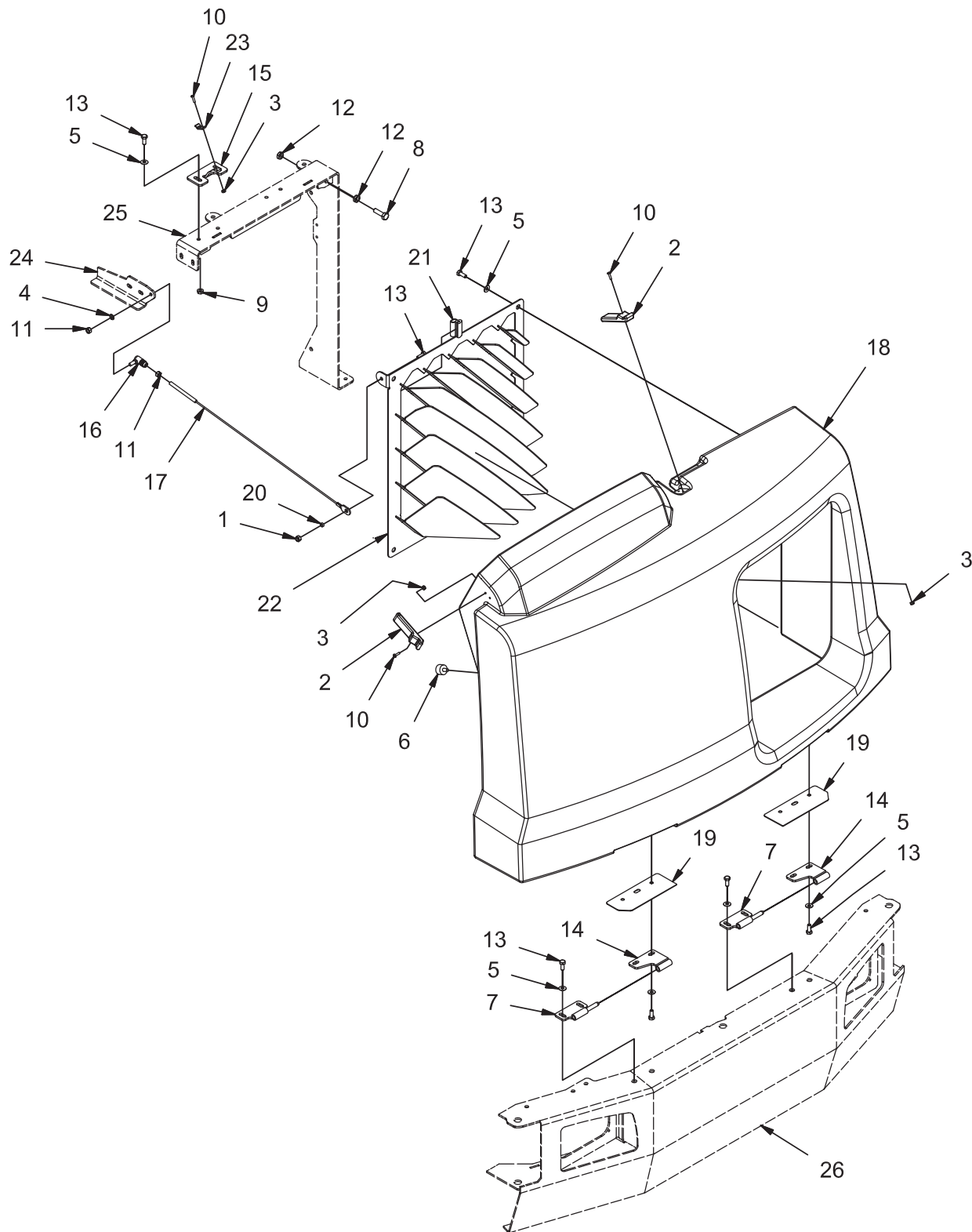


REV A

**BATTERY GROUP (730142)**

<b>Parts List - 730142</b>			
<b>ITEM</b>	<b>PART NO.</b>	<b>QTY</b>	<b>DESCRIPTION</b>
1	12040051	2	NUT, M8-1.25 ESN
2	3300440	1	BATTERY, 12V
3	3301076	1	HOLD DOWN, BATTERY
4	3301079	2	ROD, BATTERY TIE DOWN
5	3400085	2	WING NUT, 1/4-20 ZP
6	711505	2	WASHER, 1/4 .625 X .281 X .063
7	717024	2	BOLT, M8-1.25 X 20 HH
8	730390	1	TRAY, BATTERY
9	748993	1	CABLE, BATTERY, POS
10	748994	1	CABLE, BATTERY, NEG
11	742740	1	BOOT, TERM, RED
12	PART OF CABLE	1	BOOT, BATTERY, BLACK
13	PART OF CABLE	1	BOOT, BATTERY, RED
14	REFERENCE	1	BOLT, M10 -1.25 X 25 HH ZP
15	REFERENCE	1	LOCKWASHER, M10
16	REFERENCE	1	ENGINE MOUNT
17	REFERENCE	1	ENGINE

## FRONT COVER GROUP (730143)



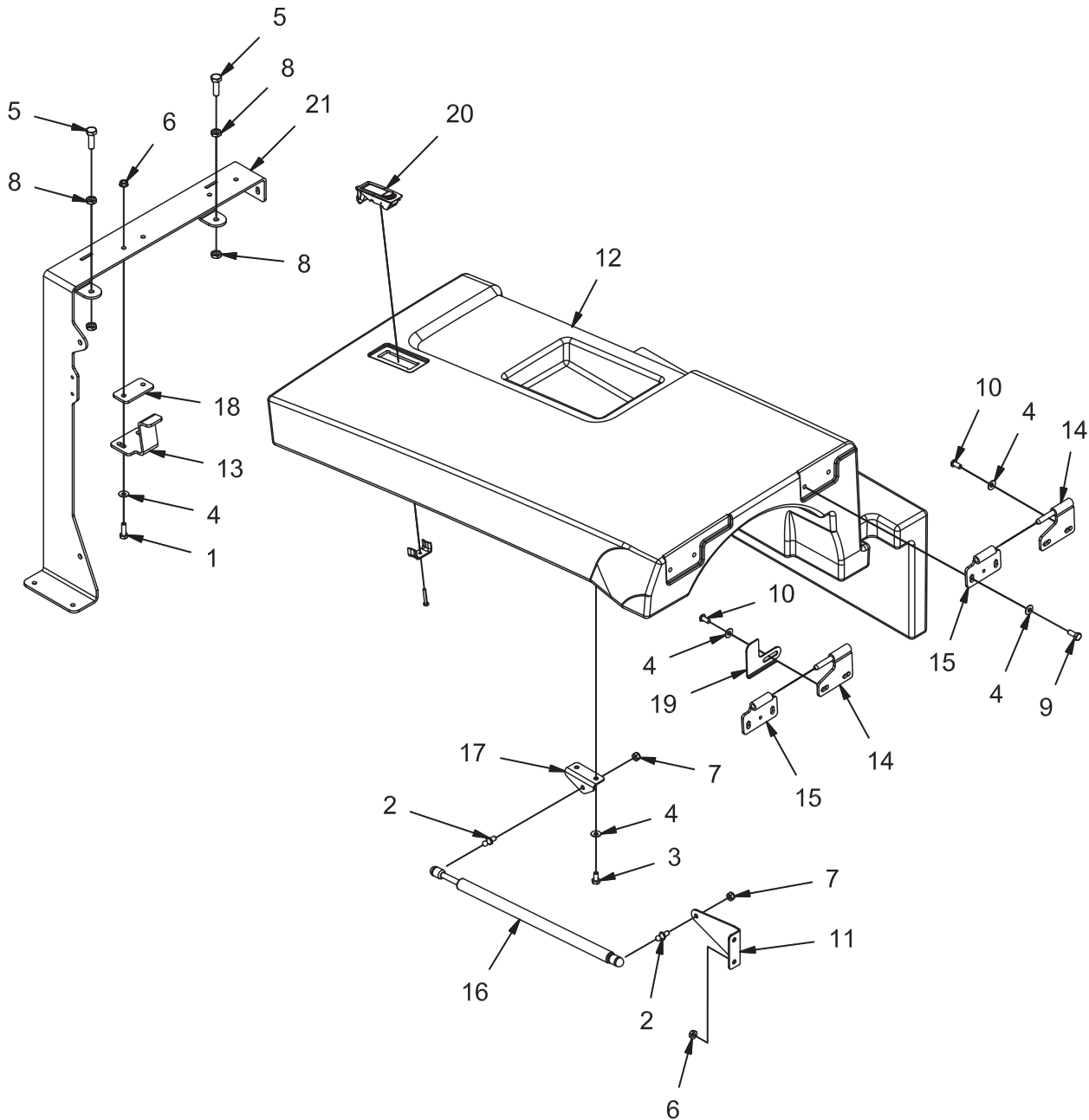
REV E



**FRONT COVER GROUP (730143)**

<b>Parts List - 730143</b>			
<b>ITEM</b>	<b>PART NO.</b>	<b>QTY</b>	<b>DESCRIPTION</b>
1	12040051	1	NUT, M8-1.25 ESN
2	3307719	1	DRAW LATCH
3	711372	4	NUT, FIBER INSERT #8-32
4	711545	1	LOCK WASHER, 5/16 HS MED
5	3400384	14	WASHER, 5/16 BELLEVILLE
6	600220	1	BUMPER, 1.00 X .625 T
7	600383	2	WELDMENT, HINGE, MALE, LG
8	600924	1	BOLT, M10-1.50 X 35 HH FULL THRO
9	600934	2	NUT, M8-1.25 FLNG
10	710230	4	SCREW, #8-32 X .62 PAN HD
11	711322	2	NUT, HEX 5/16-24 ZP
12	717014	2	NUT, M10-1.50 JAM
13	717024	15	BOLT, M8-1.25 X 20 HH
14	730407	2	WELDMENT, HINGE, FEM
15	730429	1	MOUNT, STRIKER
16	730430	1	BALL JOINT, .312, QUICK RELEASE
17	730431	1	CABLE ASSEMBLY
18	730446	1	FRONT COVER
19	730447	2	COVER, HINGE
20	730448	1	SPACER, .328 B .375 OD .188 T
21	731265	1	EDGING, GRILL
22	731861	1	WELDMENT, GRILLE
23	PART OF 3307719	1	KEEPER
24	REFERENCE	1	CONSOLE MTG ANGLE
25	REFERENCE	1	COVER FRAME
26	REFERENCE		FRAME

## TOP COVER GROUP (730144)

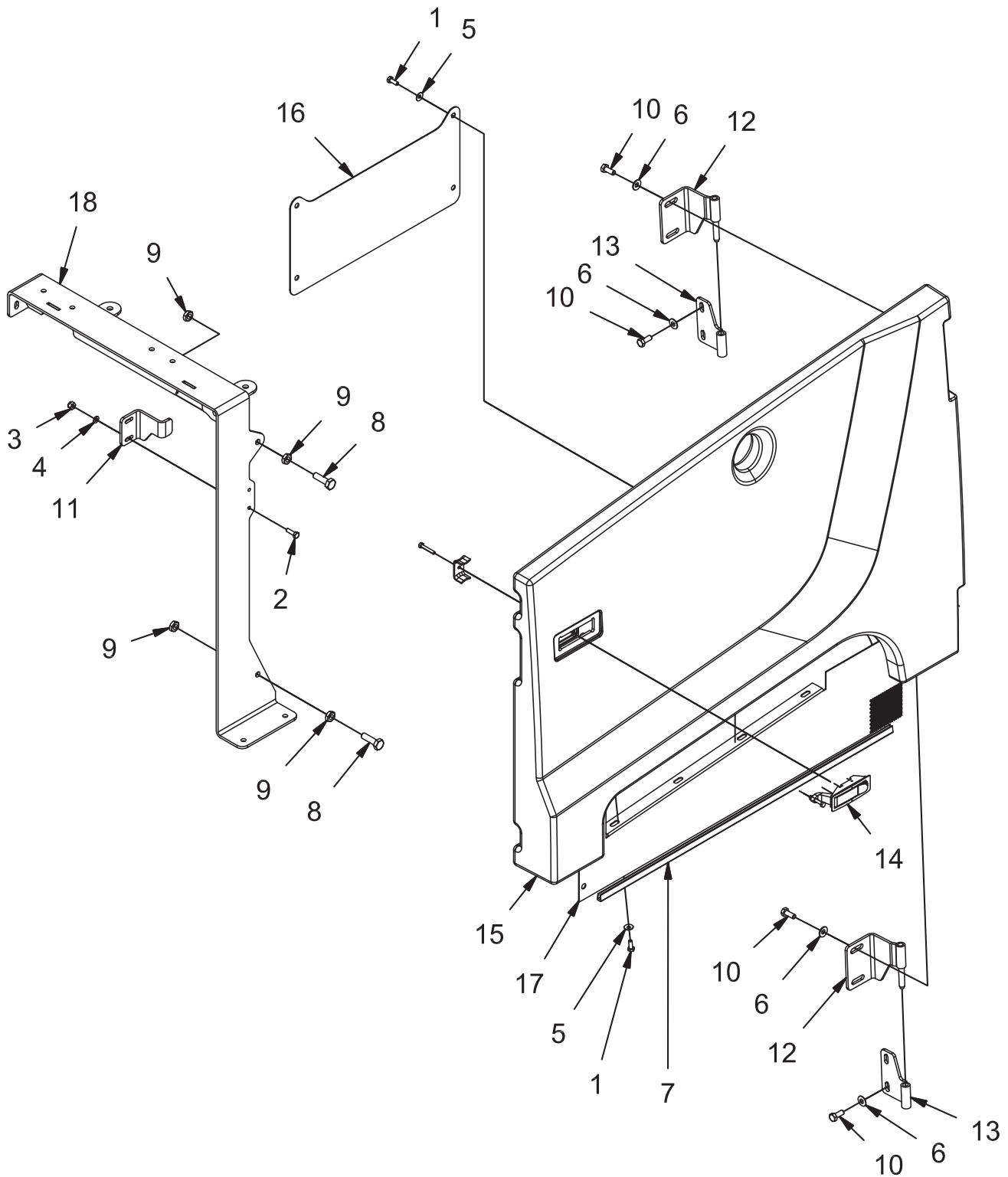


REV F

**TOP COVER GROUP (730144)**

<b>Parts List - 730144</b>			
<b>ITEM</b>	<b>PART NO.</b>	<b>QTY</b>	<b>DESCRIPTION</b>
1	11038247	2	SCR-HH M8-1.25 X 25 ZP CLASS 8.8
2	3300376	2	STUD-BALL GAS SPR 5/16-18 THRD .391DIA.
3	3400291	2	SCR-HH M8-1.25 X 16 ZP CLASS 8.8
4	3400384	12	WASHER-CONICAL SPRING 5/16
5	600924	2	SCR-HH M10-1.5 X 35 ZP CLASS 8.8
6	600934	4	NUT-FLANGE WIZZ M8-1.25 ZP
7	711374	2	NUT-NYLOC 5/16-18 ZP
8	717014	4	NUT-HEX M10 X 1.5 ZP
9	717024	3	SCR-HH M8-1.25 X 20 ZP GRADE 8.8
10	730399	4	SCR-BHSCS M8-1.25 X 16 ZP
11	730433	1	MOUNT, GAS STRUT ZP
12	730450	1	TOP COVER
	730450BR		TOP COVER, BURGUNDY
13	730452	1	STRIKER, TOP COVER ZP
14	730454	2	WELDMENT, HINGE, MALE ZP
15	730456	2	WELDMENT, HINGE, FEM ZP
16	730457L	1	GAS STRUT, 26.498 EXT X 13.8 STK W/LOCK
17	730459	1	ANGLE, GAS STRUT MNT ZP
18	730461	1	BAR, SPACER ZP
19	731132	1	RETAINER, COVER
20	731433	1	LATCH-LARGE-NAUTILUS
	731370		LATCH - FOR CE AND UK MODELS
21	REFERENCE	1	COVER FRAME

## SIDE DOOR GROUP (731914)

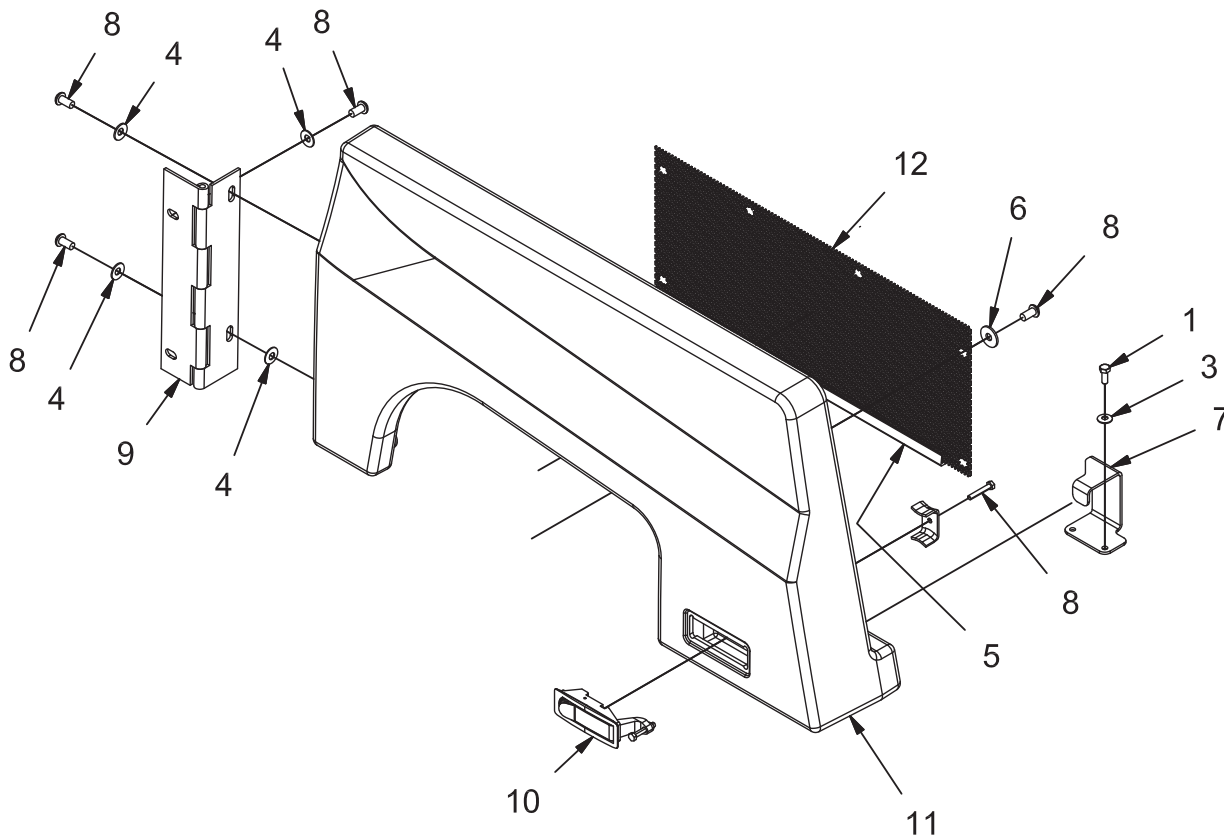


REV B

**SIDE DOOR GROUP (731914)**

<b>Parts List - 731914</b>			
<b>ITEM</b>	<b>PART NO.</b>	<b>QTY</b>	<b>DESCRIPTION</b>
1	11038072	4	SCR-HH M6-1.0 X 16 ZP CLASS 8.8
2	11038098	2	SCR-HH M6-1.0 X 20 ZP CLASS 8.8 DIN
3	12040044	2	NUT-NYLOC M6 X 1.0 ZP CLASS 6
4	12310033	2	WASHER-FLAT M6.4 X 12 X 1.6 ZP
5	3400383	4	WASHER-CONICAL SPRING 1/4
6	3400384	8	WASHER-CONICAL SPRING 5/16
7	3500118	28 IN	EDGING-VINYL TRIM 1/8" X 250'
8	600924	2	SCR-HH M10-1.5 X 35 ZP CLASS 8.8
9	717014	4	NUT-HEX M10 X 1.5 ZP
10	717024	8	SCR-HH M8-1.25 X 20 ZP GRADE 8.8
11	730403	1	STRIKER, DOOR ZP
12	730405	2	WELDMENT, HINGE, MALE ZP
13	730407	2	WELDMENT, HINGE, FEMALE ZP
14	731433	1	LATCH-LARGE-NAUTILUS
15	731904	1	DOOR, LEFT SIDE
	731904BR		DOOR, LEFT SIDE, BURGUNDY
16	731915	1	SHIELD, HEAT ZP
17	731916	1	GRILL, LH SIDE
18	REFERENCE	1	COVER FRAME

## SEAT DOOR GROUP (731913)

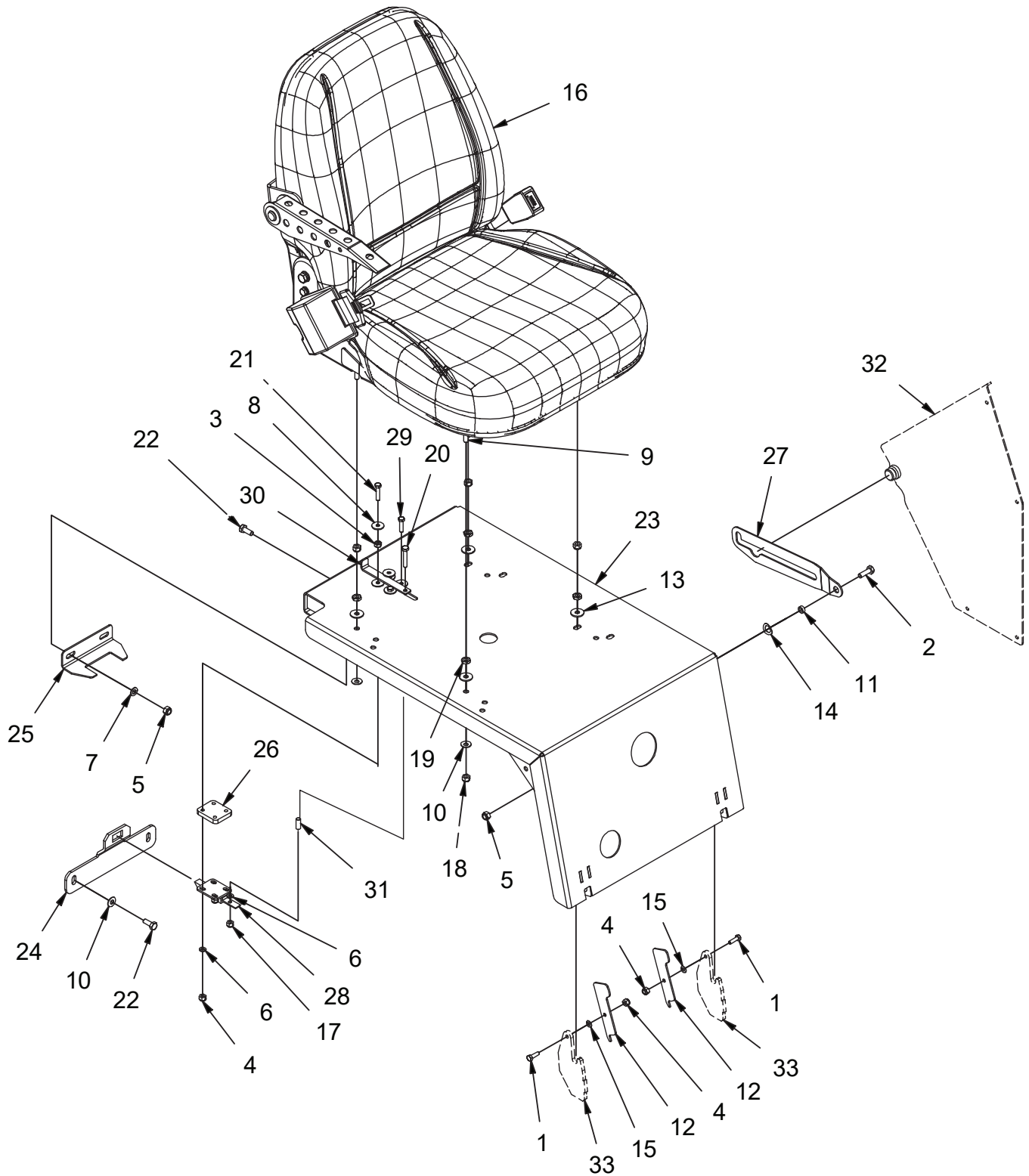


REV A

**SEAT DOOR GROUP (731913)**

<b>Parts List - 731913</b>			
<b>ITEM</b>	<b>PART NO.</b>	<b>QTY</b>	<b>DESCRIPTION</b>
1	11038072	2	SCR-HH M6-1.0 X 16 ZP CLASS 8.8
2	3400044	1	SCR-HH 10-32 X .75 ZP SERR FLANGE
3	3400383	2	WASHER-CONICAL SPRING 1/4
4	3400384	5	WASHER-CONICAL SPRING 5/16
5	3500118	16 IN	EDGING-VINYL TRIM 1/8" X 250'
6	600940	6	WASHER-FENDER M8 X 24 ZP
7	730398	1	STRIKER, SEAT DOOR ZP
8	730399	10	SCR-BHSCS M8-1.25 X 16 ZP
9	730400	1	HINGE, CONTINUOUS, 4 IN
10	731433	1	LATCH-LARGE-NAUTILUS
11	731905	1	DOOR, SEAT
	731905BR		DOOR, SEAT, BURGUNDY
12	731917	1	GRILL, RH SIDE

## SEAT MOUNT GROUP (730147)



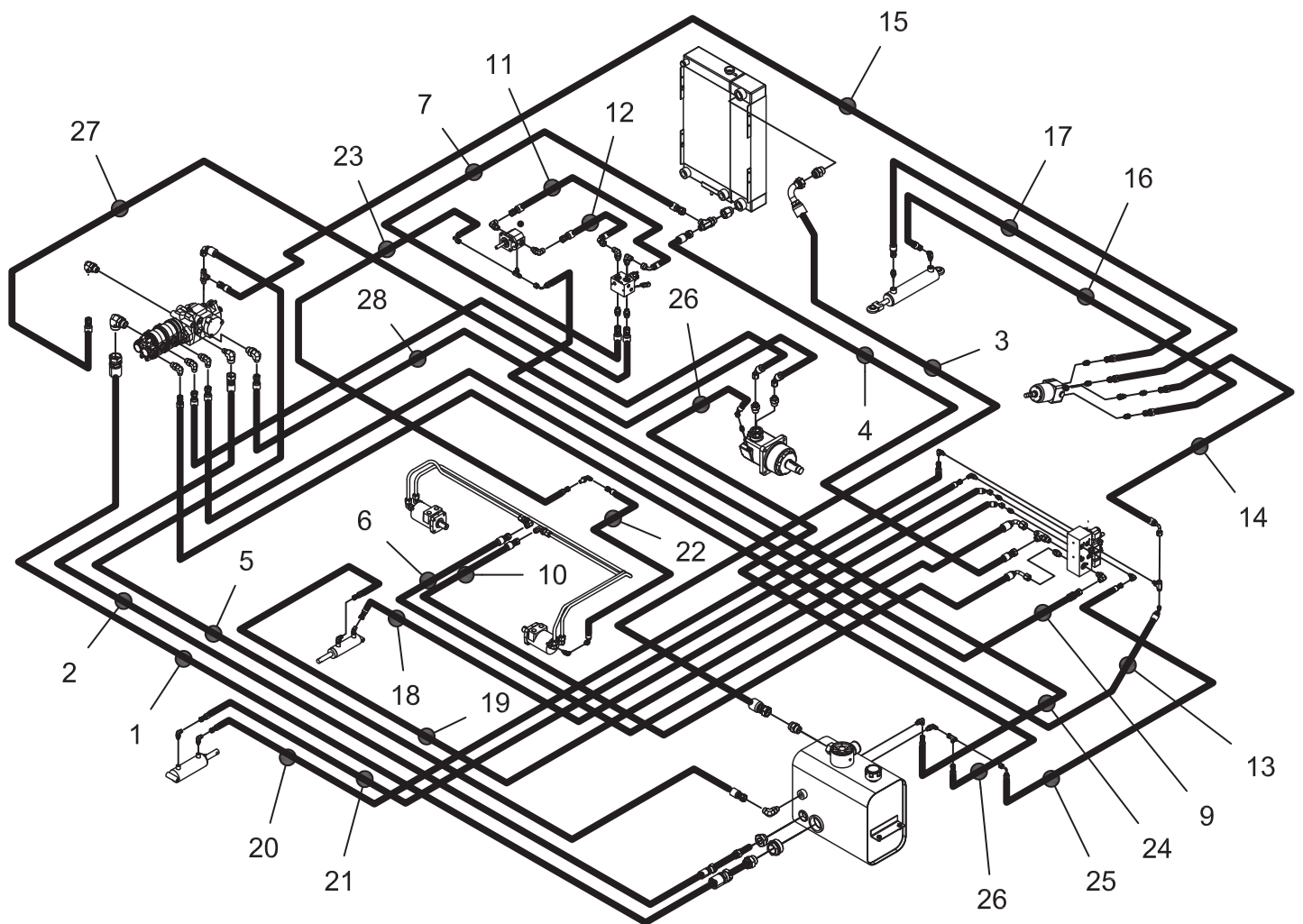
REV G



**SEAT MOUNT GROUP (730147)**

<b>Parts List - 730147</b>			
<b>ITEM</b>	<b>PART NO.</b>	<b>QTY</b>	<b>DESCRIPTION</b>
1	11038098	2	SCR-HH M6-1.0 X 20 ZP CLASS 8.8 DIN
2	11038247	1	SCR-HH M8-1.25 X 25 ZP CLASS 8.8
3	12022042	2	NUT-HEX M6 X 1.0 STL ZD CL8 DIN 934
4	12040044	6	NUT-NYLOC M6 X 1.0 ZP CLASS 6
5	12040051	3	NUT-NYLOC M8 X 1.25 ZP CLASS 8
6	12310033	5	WASHER-FLAT M6.4 X 12 X 1.6 ZP
7	12310041	2	WASHER-FLAT M8.4 X 16 X 1.6 ZP
8	173080	6	WASHER-FLAT .266 X .875 X .07 SS
9	3400035	4	SCR-HH 5/16-18 X 1.00 ZP GR 5
10	3400384	6	WASHER-CONICAL SPRING 5/16
11	600138	1	SPACER, .328 B .500 OD .188T, SS
12	600194	2	LATCH COVER, ZP CLEAR
13	600940	4	WASHER-FENDER M8 X 24 ZP
14	600948	1	WASHER-WAVE .500 ID X 1.00 OD X .040 THI
15	600963	2	WASHER-WAVE M6 DIN 137
16	623000	1	SEAT, STANDARD W/SEAT BELT, RH
17	711373	1	NUT-NYLOC 1/4-20 ZP
18	711374	4	NUT-NYLOC 5/16-18 ZP
19	711420	4	NUT-JAM 5/16-18 ZP
20	713005	1	SCR-HH 1/4-20 X 1.50 ZP GR 5 PART THRD
21	717021	2	SCR-HH M6-1.0 X 30 ZP CLASS 8.8
22	717024	4	SCR-HH M8-1.25 X 20 ZP GRADE 8.8
23	730320	1	WELDMENT, SEAT MOUNT
24	730482	1	BRACKET, SEAT STRIKER ZP
25	730484	1	PLATE, SEAT LOCK
26	730486	1	PLATE, SPACER ZP
27	730487	1	SUPPORT, SEAT MOUNT ZP CLR
28	730488	1	SLIDE LATCH
29	731006	2	SCR-HH M6-1.00 X 25 ZP CLASS 8.8
30	731262	1	RELEASE, LATCH
31	731263	1	SPACER, .257 B .313 OD .813 T
32	REFERENCE	1	COVER PLATE
33	REFERENCE	1	CONSOLE

## CYLINDRICAL HYDRAULIC HOSE GROUP (730148)

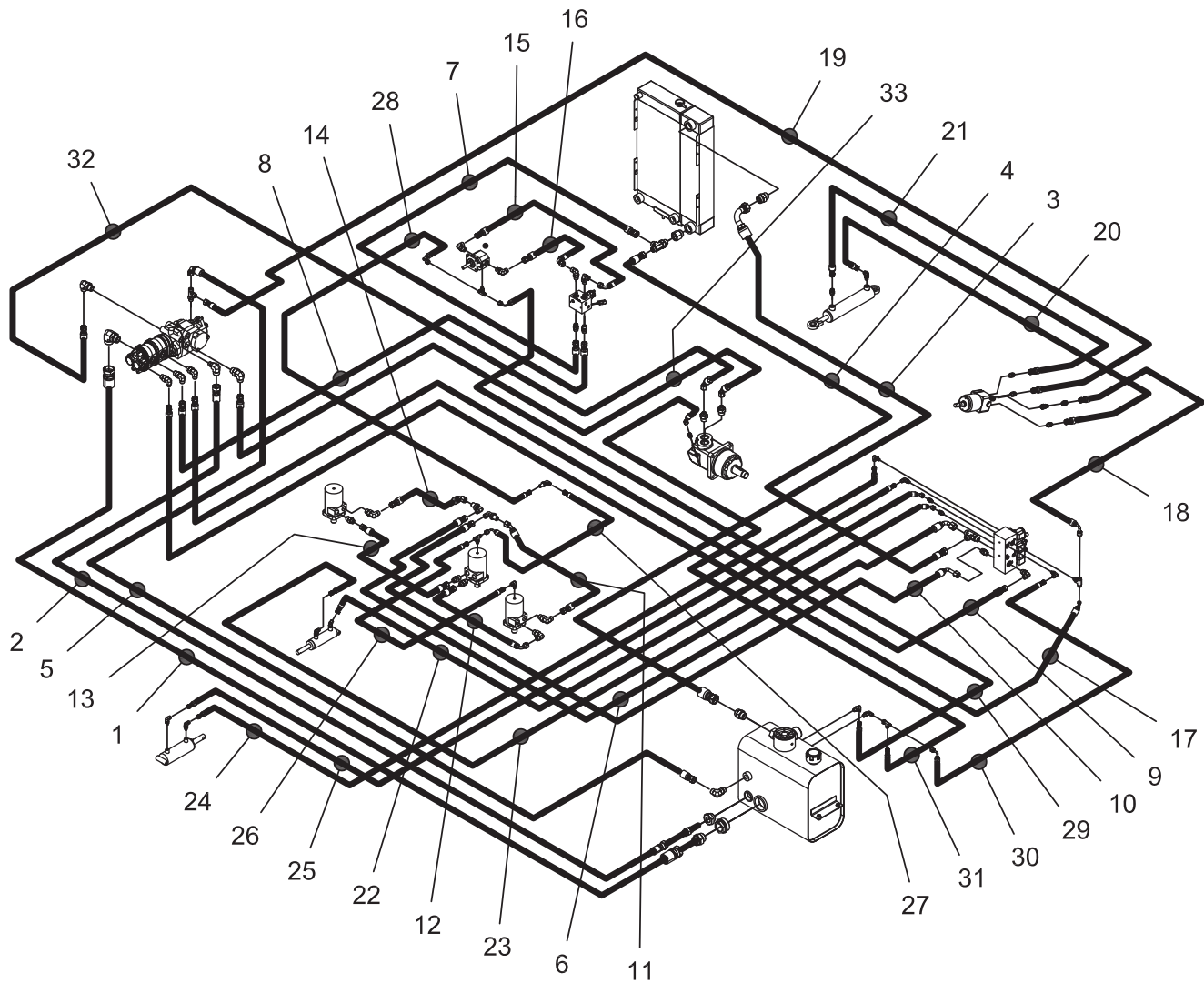


REV C

**CYLINDRICAL HYDRAULIC HOSE GROUP (730148)**

Parts List - 730148			
ITEM	PART NO.	QTY	DESCRIPTION
1	731051	1	HOSE, 20 STR - 20 STR sue (RES TO AUX PUMP IN)
2	731052	1	HOSE, 12 STR - 12 STR sue (RES TO VDP CASE)
3	731053	1	HOSE, 16 STR - 16 90 RET (COOLER UPPER TO RES)
4	731054	1	HOSE, 10 STR - 10 STR RET (VALVE T2 TO COOLER)
5	731055	1	HOSE, 10 STR - 8 90 RET (VDP CASE TO RES)
6	731056	1	HOSE, 8 STR - 10 90 MED (MB LEFT TO VALVE T2)
7	731057	1	HOSE, 8 STR - 10 STR MED (IMP SOL T TO COOLER)
8	731058	1	HOSE, 8 STR - 8 STR MED (AUX PUMP 2 TO IMP SOL P)
9	731059	1	HOSE, 8 STR - 8 STR MED (AUX PUMP 1 TO VALVE P2)
10	731060	1	HOSE, 8 STR - 8 90 MED (VALVE MB OUT TO MB RIGHT)
11	731061	1	HOSE, 8 STR - 8 90 MED (IMP SOL VF OUT TO IMP LEFT)
12	731062	1	HOSE, 8 STR - 8 90 MED (IMP RIGHT TO IMP SOL VF IN)
13	731063	1	HOSE, 6 STR - 6 45 MED (AUX PUMP 3 TO VALVE P1)
14	731064	1	HOSE, 6 STR - 6 90 MED (VALVE P1 TO STR PRESS)
15	731065	1	HOSE, 6 STR - 8 STR RET (STR TANK TO VDP CASE)
16	731066	1	HOSE, 6 STR - 6 STR MED (STR LEFT TO CYL F)
17	731067	1	HOSE, 6 STR - 6 STR MED (STR RIGHT TO CYL R)
18	731068	1	HOSE, 4 STR - 4 45 MED (VALVE BL A TO SH CYL F)
19	731069	1	HOSE, 4 STR - 4 45 MED (VALVE BL B TO SH CYL R)
20	731070	1	HOSE, 4 STR - 4 STR MED (VALVE SG B TO SQU CYL F)
21	731071	1	HOSE, 4 STR - 4 STR MED (VALVE SG A TO SQU CYL R)
22	731072	1	HOSE, 4 STR - 4 45 MED (MB CASE TO MB MOTOR)
23	731073	1	HOSE, 4 STR - 4 90 MED (MB CASE TO IMP CASE)
24	731074	1	HOSE, 4 STR - 4 90 MED (IMP CASE TO RES)
25	731075	1	HOSE, 4 STR - 4 90 MED (VALVE T1 TO RES)
26	731076	1	HOSE, 4 STR - 4 45 MED (WHEEL DRIVE CASE TO RES)
27	731077	1	HOSE, 8 STR - 8 45 SPCL (VDP L TO WHEEL DRIVE R)
28	731078	1	HOSE, 8 STR - 8 45 SPCL (VDP R TO WHEEL DRIVE F)

## DISC HYDRAULIC HOSE GROUP (730195)

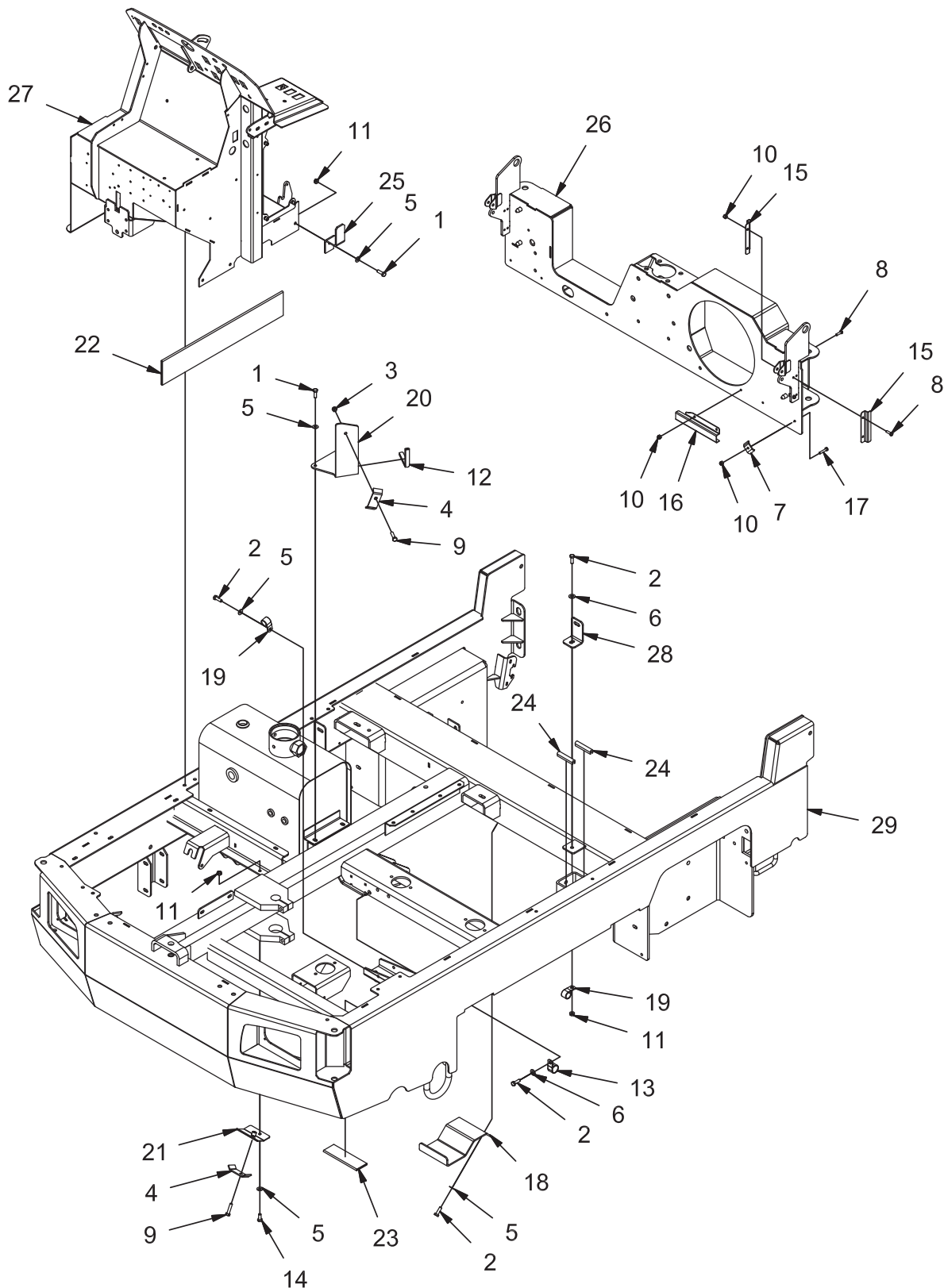


REV B

**DISC HYDRAULIC HOSE GROUP (730195)**

Parts List - 730195			
ITEM	PART NO.	QTY	DESCRIPTION
1	731051	1	HOSE, 20 STR - 20 STR SUC (RES TO AUX)
2	731052	1	HOSE, 12 STR - 12 STR SUC (RES TO CASE)
3	731053	1	HOSE, 16 STR - 16 90 RET (COOLER TO RES)
4	731054	1	HOSE, 10 STR - 10 STR RET (VALVE T2 TO CLR)
5	731055	1	HOSE, 10 STR - 8 90 RET (CASE TO RES)
6	731056	1	HOSE, 8 STR - 10 90 MED (MB TO VALVE T2)
7	731057	1	HOSE, 8 STR - 10 STR MED (IMP SOL T TO COOL
8	731058	1	HOSE, 8 STR - 8 STR MED (AUX 1 TO IMP SOL P
9	731059	1	HOSE, 8 STR - 8 STR MED (AUX 2 TO VALVE P2)
10	731060	1	HOSE, 8 STR - 8 90 MED (VALVE MB OUT TO MB
11	731083	3	HOSE, 8 STR - 8 STR MED (SSB VALVE SB IN TO
12	731082	1	HOSE, 8 STR - 8 90 MED (SSB VALVE SB OUT T
13	731083	1	HOSE, 8 STR - 8 STR MED (SSB VALVE SB IN TO
14	731083		HOSE, 8 STR - 8 STR MED (SSB VALVE SB IN TO
15	731061	1	HOSE, 8 STR - 8 90 MED (IMP SOL VF OUT TO
16	731062	1	HOSE, 8 STR - 8 90 MED (IMP TO IMP SOL VF
17	731063	1	HOSE, 6 STR - 6 45 MED (AUX 3 TO VALVE P
18	731064	1	HOSE, 6 STR - 6 90 MED (VALVE P1 TO STR)
19	731065	1	HOSE, 6 STR - 8 STR RET (STR TO VDP CASE
20	731066	1	HOSE, 6 STR - 6 STR MED (STR TO CYL)
21	731067	1	HOSE, 6 STR - 6 STR MED (STR R TO CYL R
22	731068	1	HOSE, 4 STR - 4 45 STR MED (VALVE TO CYL
23	731069	1	HOSE, 4 STR - 4 45 MED (VALVE TO CYL)
24	731070	1	HOSE, 4 STR - 4 STR MED (VALVE TO CYL)
25	731071	1	HOSE, 4 STR - 4 STR MED (VALVE SG A TO SQU
26	731087	1	HOSE, 4 STR - 4 STR MED (SSB VALVE SBE B TO
27	731085	1	HOSE, 4 STR - 4 90 MED (VALVE T1 TO SSB VAL
28	731073	1	HOSE, 4 STR - 4 90 MED (MB CASE TO IMP CASE
29	731074	1	HOSE, 4 STR - 4 90 MED (IMP CAS TO RES)
30	731075	1	HOSE, 4 STR - 4 90 MED (VALVE T1 TO RES)
31	731076	1	HOSE, 4 STR - 4 45 MED (WHEEL DRIVE CASE TO
32	731077	1	HOSE, 8 STR - 8 45 SPCL (VDP L TO WHEEL DRI
33	731078	1	HOSE, 8 STR - 8 45 SPCL (VDP R TO WHEEL DRI

## HOSE CLAMP GROUP (730149)



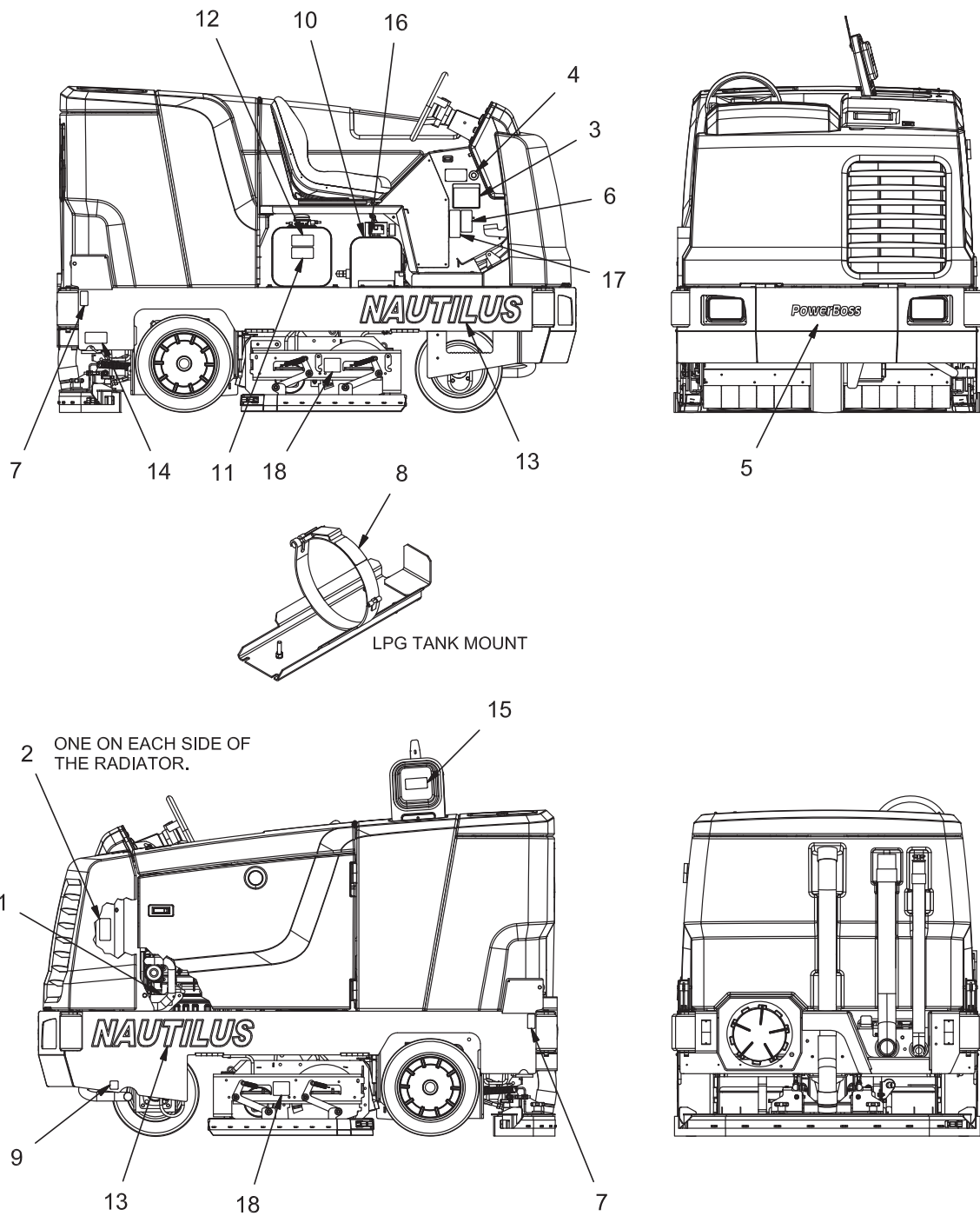
REV C

**HOSE CLAMP GROUP (730149)**

<b>Parts List - 730149</b>			
<b>ITEM</b>	<b>PART NO.</b>	<b>QTY</b>	<b>DESCRIPTION</b>
1	11038247	3	BLT-HH M8-1.25 X 25 STL ZINC
2	11039567	4	BOLT, M8-1.25 X 25 HH SS
3	12040259	1	NUT, M8-1.25 ESN SS
4	3305398	2	RETAINER, HOSE, OFFSET, 8
5	3400384	7	WASHER, 5/16 BELLEVILLE
6	3400385	1	WASHER, 3/8, BELLEVILLE
7	600822	1	RETAINER, HOSE, SYM, 6
8	600913	4	BOLT, M6-1.00 X 20 HH SS
9	600918	2	BOLT, M8-1.25 X 35 HH
10	600933	5	NUT, M6-1.00 ESN SS
11	600934	5	NUT, M8-1.25 FLNG
12	620039	1	EDGING, 3/16 X 5.75"
13	690011	1	CLAMP, P TYPE, 1.00 DIA.
14	717030	1	BOLT, M8-1.25 X 20 HH SS
15	730880	2	HOSE RETAINER, SINGLE
16	730881	1	HOSE RETAINER, DOUBLE
17	731050	1	BOLT, M6-1.00 X 30 HH SS
18	731145	1	BRACKET, HOSE TRAY
19	731146	2	CLAMP, HOSE, .88
20	731147	1	TRAY, REAR HOSE
21	731148-1	1	ASSEMBLY, HOSE CLAMP BRACKET
22	731150	1	SLEEVE, AS-B-37 X 30.0"
23	731151	1	SLEEVE, AS-B-17 X 6.0"
24	731152	2	EDGING, .31 X 2.75"
25	731153	1	BRACKET, CENTER HOSE
26	REFERENCE	1	BUMPER
27	REFERENCE	1	CONSOLE
28	REFERENCE	1	BRACKET, TANK MNT
29	REFERENCE	1	FRAME



## DECAL GROUP (730150)



REV A



**DECAL GROUP (730150)**

<b>Parts List - 730150</b>			
<b>ITEM</b>	<b>PART NO.</b>	<b>QTY</b>	<b>DESCRIPTION</b>
1	3301730	1	DECAL, WARNING FAN BELT (ENG)
2	3301733	2	DECAL, WARNING FAN (RAD SHROUD)
3	3301854	1	DECAL, CAUTION
4	715084	1	DECAL, MADE IN USA
5	651001	1	DECAL, POWERBOSS
6	3342264	1	DECAL, READ MANUAL
7	3342650	2	DECAL, PINCH POINT
8	3342971	1	DECAL, LPG FUEL TANK (LPG ONLY)
9	3342978	1	DECAL, HOT SURFACE
10	715023	1	DECAL, HYDRAULIC FLUID INFORMATION
11	715949	1	DECAL, GAS FUEL WARNING (GAS ONLY)
12	715953	1	DECAL, DIESEL FUEL WARNING (DIESEL ONLY)
13	715043	2	DECAL, NAUTILUS
14	715963	1	DECAL, BUMPER LATCH
15	715965	1	DECAL, FLAMMABLE MATERIAL WARNING
16	715966	1	DECAL, WARNING, NO FUEL IN RES.
17	715967	1	DECAL, WARNING, DO NOT PICK UP
18	715968	2	DECAL, WARNING, ROTATING BRUSHES

ELECTRICAL GROUP (730116)

**NOTE:**

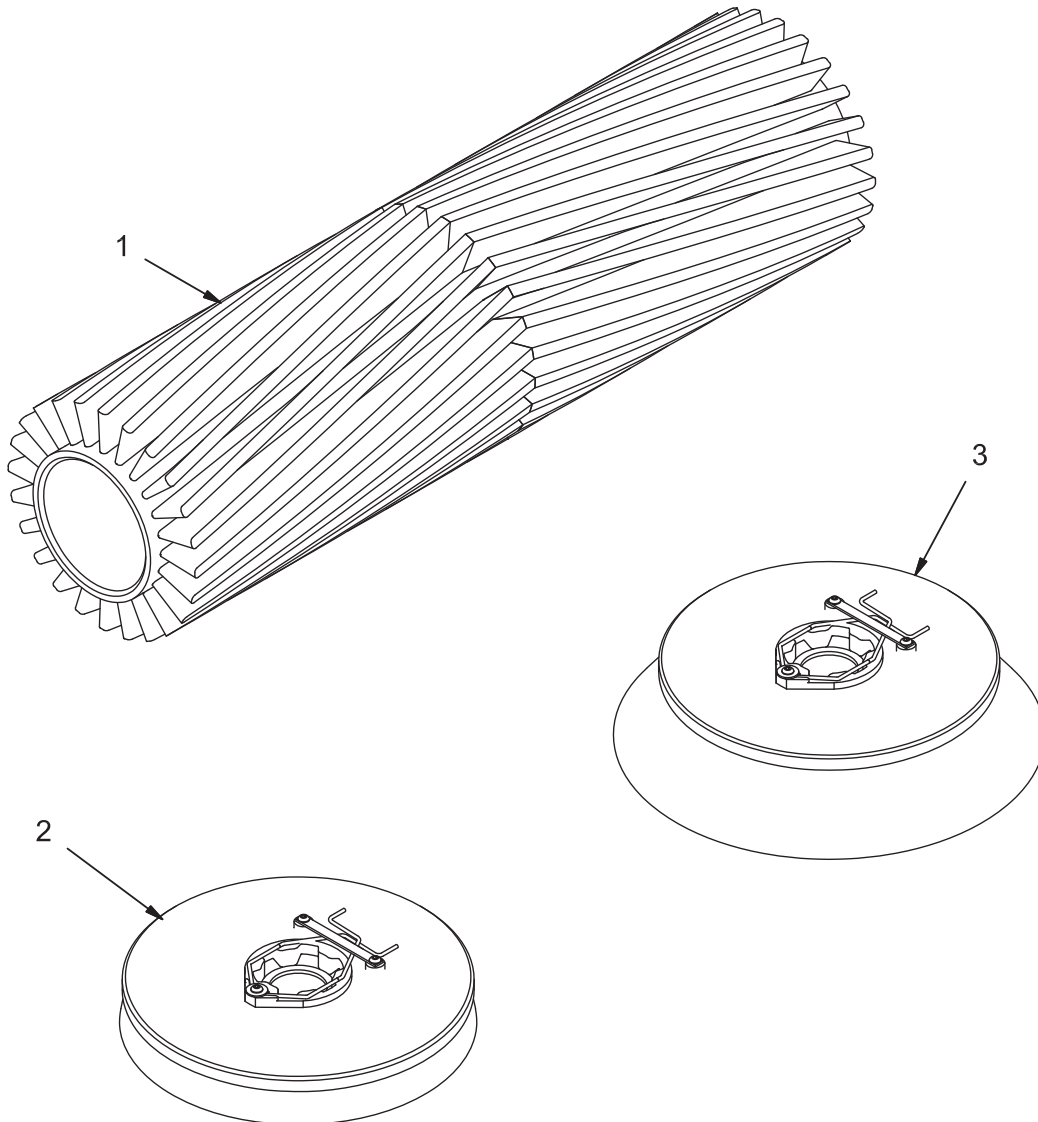
**THERE IS NO PICTURE AVAILABLE FOR THIS GROUP**

**REV C**

**ELECTRICAL GROUP (730116)**

<b>Parts List - 730116</b>			
<b>ITEM</b>	<b>PART NO.</b>	<b>QTY</b>	<b>DESCRIPTION</b>
1	748990	1	HARNESS, ENGINE
2	749035	1	HARNESS ASSY, HEADLIGHTS NAUTILUS
3	748992	1	NAUTILUS PT TO PT DIAGRAM
4	748799	1	HARNESS, MAIN, NAUTILUS
5	731146	2	CLAMP - WIRE & TUBE .875/.406 DIA STEEL
6	730482	2	BRACKET, SEAT STRIKER ZP
7	746050	2	INSULATOR CAP, TERMINAL RED
8	749135	1	HARNESS ASSY, HEADLIGHTS NAUTILUS

BRUSH/BROOM GROUP (730175)



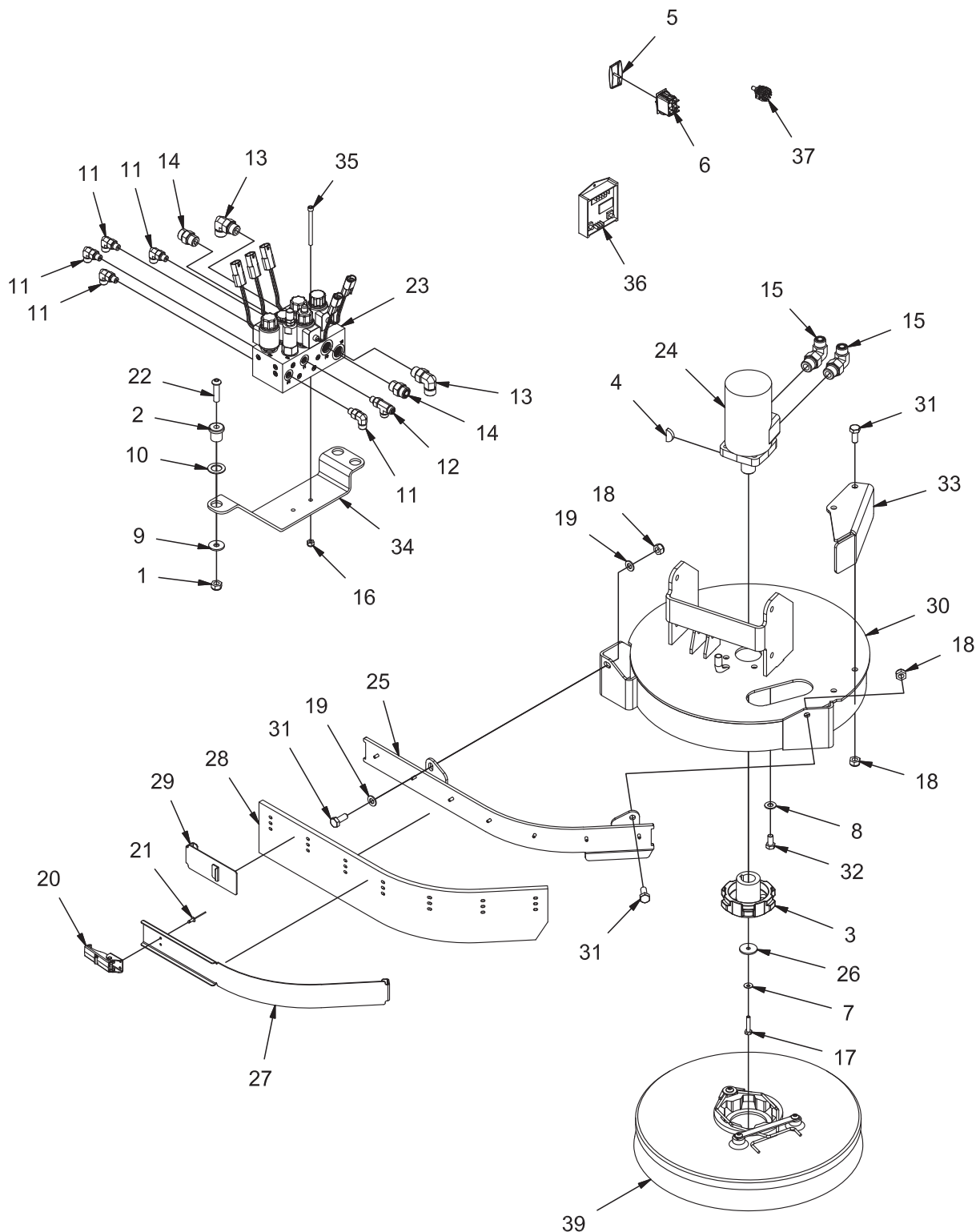
REV E

**BRUSH/BROOM GROUP (730175)**

<b>Parts List - 730175</b>			
<b>ITEM</b>	<b>PART NO.</b>	<b>QTY</b>	<b>DESCRIPTION</b>
1	731090-PH	2	BROOM, 45" NYLON, PH
1	731295-PH	2	BROOM, 45" BLACK POLY, PH
1	731296-PH	2	BROOM, 45" 50/80 GRIT BLACK, PH
1	731297-PH	2	BROOM, 45" 70/46 GRIT ABRASIVE, PH
1	731308-PH	2	BROOM, 45" BLACK POLY, SOFT, PH
1	731588-PH	2	BROOM, 45" 180 GRIT ABRASIVE, PH
2	3313128	1	BRUSH, DISC, 16", PURPLE
2	3313126	1	BRUSH, DISC, 16", BLACK
2	3332545	1	BRUSH, DISC, 16", BLUE
2	3315385	1	BRUSH, DISC, 16", RED
2	3313136	1	BRUSH, DISC, 16", NYLON
3	731259	1	SIDE BROOM, 20", POLY

## OPTIONS - PARTS BREAKDOWN

### OPTION - SIDE BRUSH GROUP (730000)



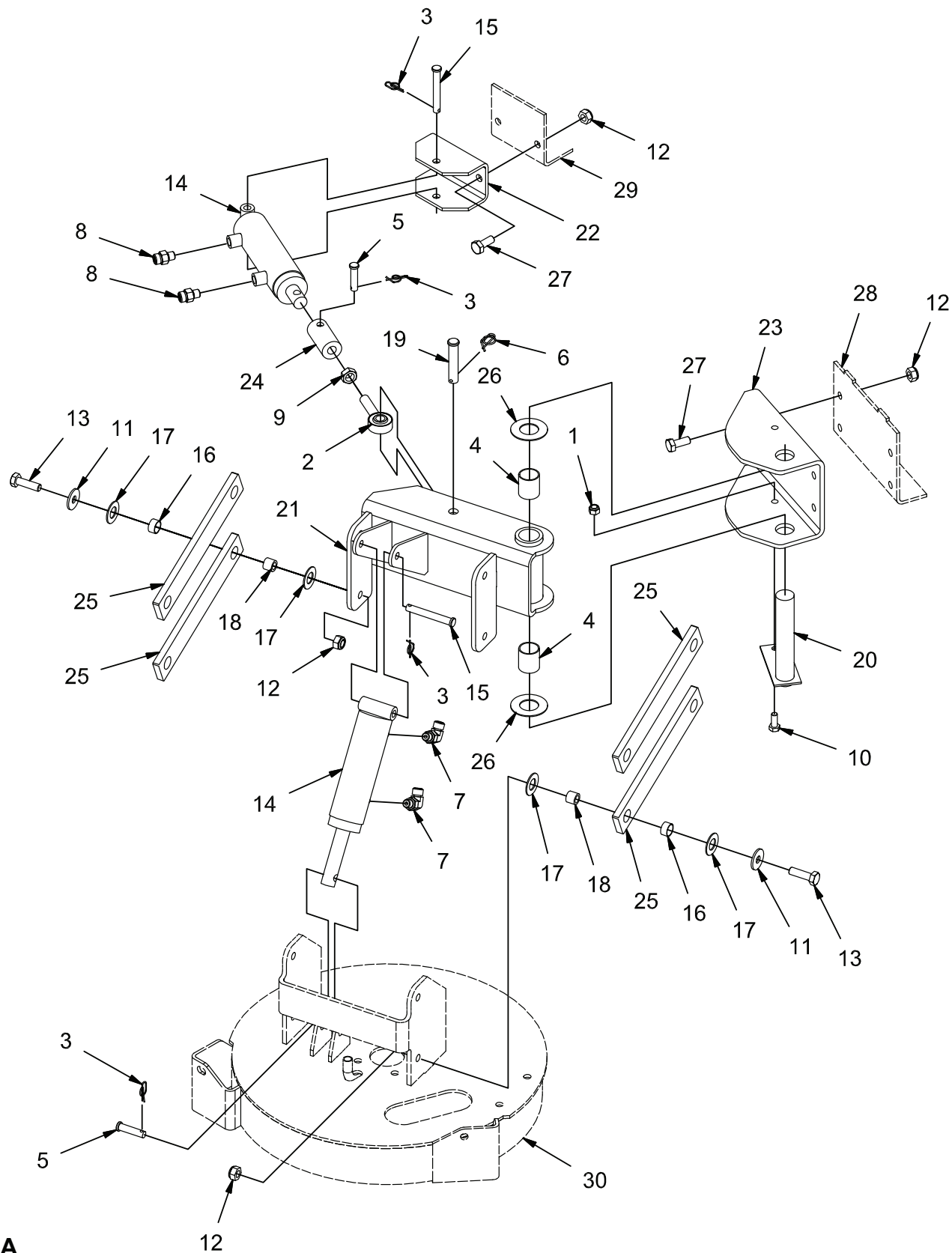
REV D

**OPTION - SIDE BRUSH GROUP (730000)**

Parts List -			
ITEM	PART NO.	QTY	DESCRIPTION
1	12040069	3	NUT, M10-1.50 ESN
2	3300465	3	ISOLATOR, VIB
3	3324451	1	HUB, DRIVE
4	3330338	1	KEY, WOODRUFF .25 X .50
5	3344038	1	COVER-SWITCH ROCKER BLACK NO LENS
6	3342705	1	SWITCH, DPST
7	3400383	1	WASHER, 1/4 BELLEVILLE
8	3400385	4	WASHER, 3/8, BELLEVILLE
9	600363	3	WASHER, ISOLATOR
10	66-431-A	3	WASHER, .77 B 1.25 OD .075 T
11	675507	5	FITTING, 90, -4 ORFS - 4 SAE
12	675509	1	FITTING, RUN TEE -4 ORFS TO -4 SAE
13	675523	2	FITTING, 90, -8 ORFS - 8 SAE
14	675524	2	FITTING, STR, -8 ORFS - 8 SAE
15	675528	2	FITTING, 90, -8 ORFS - 10 SAE
16	711373	2	NUT, FIBER INSERT 1/4-20
17	712566	1	SCREW, 1/4-20 X 1.25 HH SS
18	730339	4	NUT, M10-1.50 ESN SS
19	730344	2	WASHER, M10 SS
20	730652	1	LATCH, UNDER CENTER
21	730654	2	RIVET.BLIND, .156 D X .062 - .125 GRIP SS
22	730698	3	BOLT, M10-1.50 X 40 BUTTON HD CAP
23	730795-1	1	MANIFOLD ASSY, SSB
24	730892	1	MOTOR, 9.7 DISP
25	730927	1	WELDMENT, SSB SQU MNT
26	730933	1	WASHER, .28 B, 1.25 OD, .105 T SS
27	730938	1	SSB SOU RETAINER
28	730939	1	SSB SQUEEGEE
29	730940	1	WELDMENT, SSB REAR RET
30	730942	1	WELDMENT, SSB MOUNT
31	730958	4	BOLT, M10-1.50 X 25 HH SS
32	730959	4	SCREW, 3/8-16 X .750 HHC SS
33	730963	1	WELDMENT, SSB GUARD
34	730964	1	MOUNT, SSB MANIFOLD
35	730965	2	BOLT, 1/4-20 X 3.00 SOC HD CAP
36	731126	1	PROPORTIONAL VALVE DRIVER - DOUBLE
37	748796	1	DUAL BRUSH PRESSURE SELECTOR
38	748798	1	HARNESS, SIDE BRUSH
39	REFERENCE	1	SCRUB BRUSH

**GROUP (730036) - OPTION SIDE SCRUB BRUSH, INCLUDES SUB-GROUPS:  
730000, 730001, 730002, 730011, 730028, 730029**

## OPTION - SIDE BRUSH LIFT GROUP (730001)



REV A

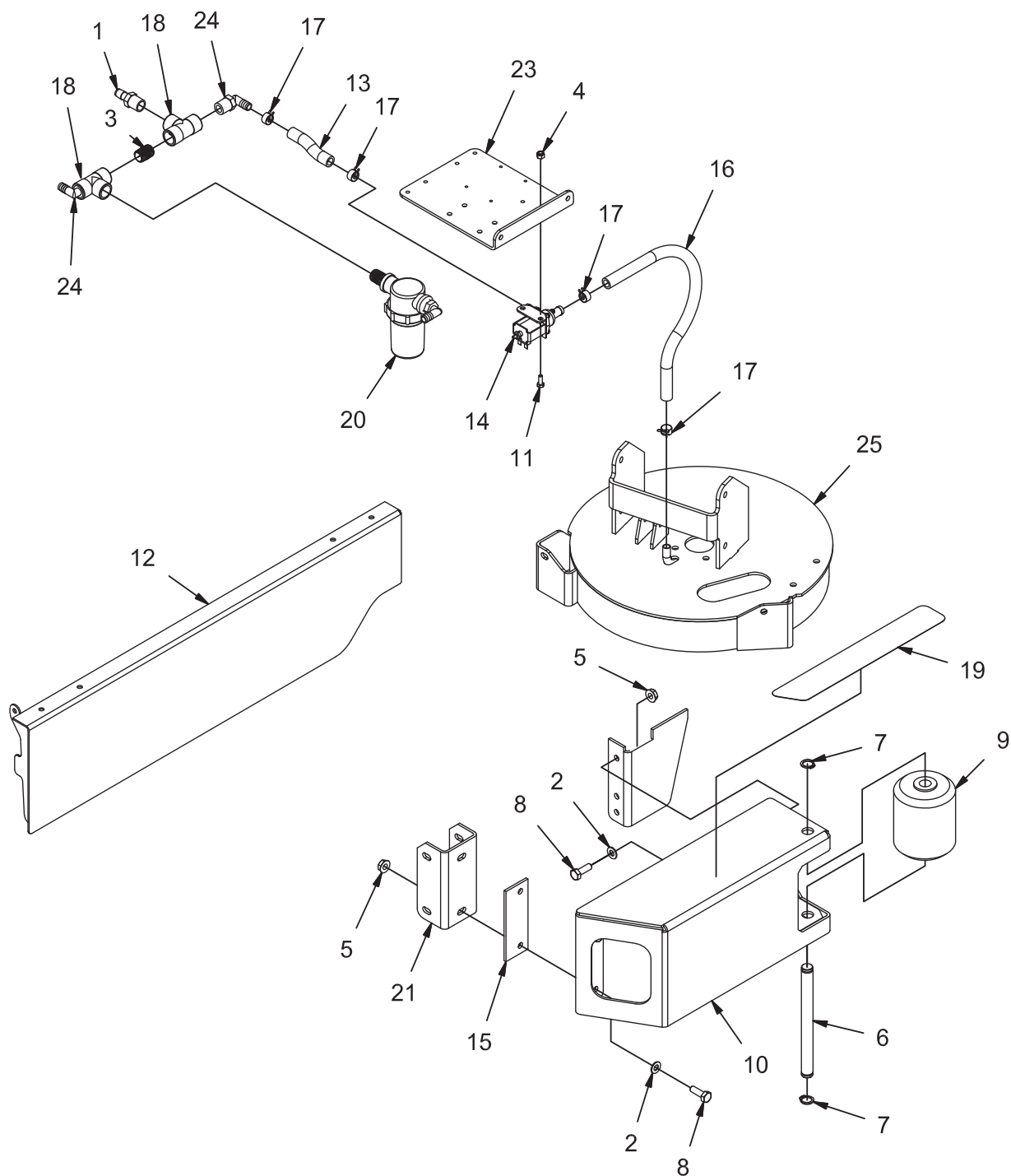


**OPTION - SIDE BRUSH LIFT GROUP (730001)**

<b>Parts List - 730001</b>			
<b>ITEM</b>	<b>PART NO.</b>	<b>QTY</b>	<b>DESCRIPTION</b>
1	12040259	1	NUT, M8-1.25 ESN SS
2	3311977	1	ROD END, MALE, 1/2-20
3	3400125	4	RUE-RING, .375
4	600174	2	BEARING, FIBERGLIDE 1.00 ID 1.25 T
5	600573	2	PIN, CLEVIS, 3/8 X 1.50
6	600578	1	RUE-RING, .50
7	675507	2	FITTING, 90, -4 ORFS - 4 SAE
8	675508	2	FITTING, STR, 4 ORFS - 4-SAE
9	711337	1	NUT, HEX JAM 1/2-20
10	717030	1	BOLT, M8-1.25 X 20 HH SS
11	717040	8	WASHER, FENDER, .413 B 1.18 OD .098 T SS
12	730339	14	NUT, M10-1.50 ESN SS
13	730345	8	BOLT, M10-1.50 X 35 HH SS
14	730548	2	CYLINDER, HYD, 1.50 B X 2.88 STK
15	730602	2	PIN, CLEVIS, .375 X 2.75
16	730646	8	BEARING, DU, .63 B .72 OD .38 T
17	730647	16	WASHER, THRUST, .66 B 1.25 OD .06 T
18	730648	8	SPACER, .406 B .624 OD .515 T SS
19	730875	1	PIN, CLEVIS 1/2 X 2.50 ZP
20	730907	1	WELDMENT, PIN
21	730910	1	WELDMENT, SSB ARM
22	730923	1	SSB CYL MNT
23	730924	1	SSB MNT
24	730925	1	SSB ADJ TUBE
25	730926-1	4	SSB LINK
26	730957	2	WASHER, THRUST, 1.03 B 2.00 OD .063 T
27	730958	6	BOLT, M10-1.50 X 25 HH SS
28	REFERENCE	1	FRAME
29	REFERENCE	1	FRAME
30	REFERENCE	1	SSB MOUNT

**GROUP (730036) - OPTION SIDE SCRUB BRUSH, INCLUDES SUB-GROUPS:  
730000, 730001, 730002, 730011, 730028, 730029**

## OPTION - SIDE BRUSH SOLUTION CONTROL GROUP (730002)



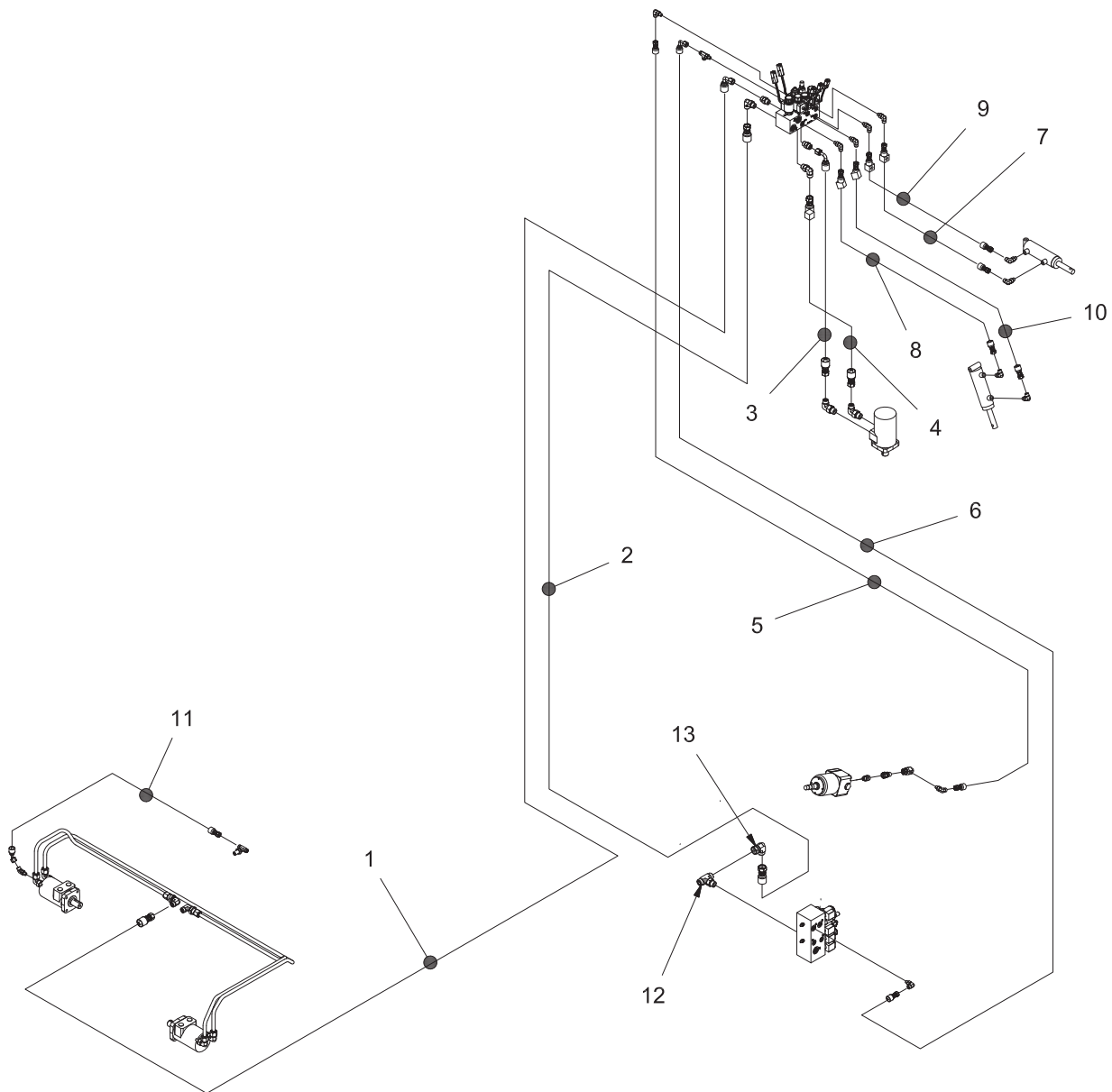
REV A

**OPTION - SIDE BRUSH SOLUTION CONTROL GROUP (730002)**

<b>Parts List - 730002</b>			
<b>ITEM</b>	<b>PART NO.</b>	<b>QTY</b>	<b>DESCRIPTION</b>
1	3315534	1	FTG-ADAPTER 1/2 MPT X 1/2 HB PP
2	3400385	4	WASHER-CONICAL SPRING 3/8
3	383465	1	FTG-NIPPLE 1/2 MPT X 1-1/8 LG BRASS
4	600933	2	NUT-NYLOC M6-1.00 SS
5	600936	4	NUT-FLANGE WIZZ M10-1.50 ZP GR 8
6	730876	1	PIN, ROLLER
7	730877	2	RET RING-EXT .750
8	730878	4	SCR-HH M10-1.50 X 30 SS
9	730915	1	ROLLER, SUB
10	730916	1	WELDMENT, SSB GUARD
11	730934	2	SCR-HH M6-1.00 X 16 SS FULL THREAD
12	730952	1	WELDMENT, SSB DOOR
13	730954	1	TUBING, .50 ID X .13 WALL BRD VINYL 4 IN
14	730956	1	VALVE, SOLENOID, 12V, ADJ
15	730960	1	SPACER PLT
16	730961	1	TUBING, .50 ID X .13 WAL BRA VINYL 16 IN
17	730962	4	CLAMP, WIRE HOSE
18	730966	1	FTG-TEE FEMALE 1/2 NPT X 1/2 X 1/2 PVC
19	3335609	1	PAD, STEP
20	REFERENCE	1	FILTER AND STANDARD FITTING COMPONENTS
21	REFERENCE	1	FRAME
22	REFERENCE	1	FRAME
23	REFERENCE	1	BRACKET, FILTER MOUNT
24	3315535	2	FTG-ELEMENT 90 1/2 MPT X 1/2 HB PP
25	REFERENCE	1	SSB MOUNT

**GROUP (730036) - OPTION SIDE SCRUB BRUSH, INCLUDES SUB-GROUPS:  
730000, 730001, 730002, 730011, 730028, 730029**

## OPTION - SIDE BRUSH HYDRAULIC HOSE GROUP (730011)



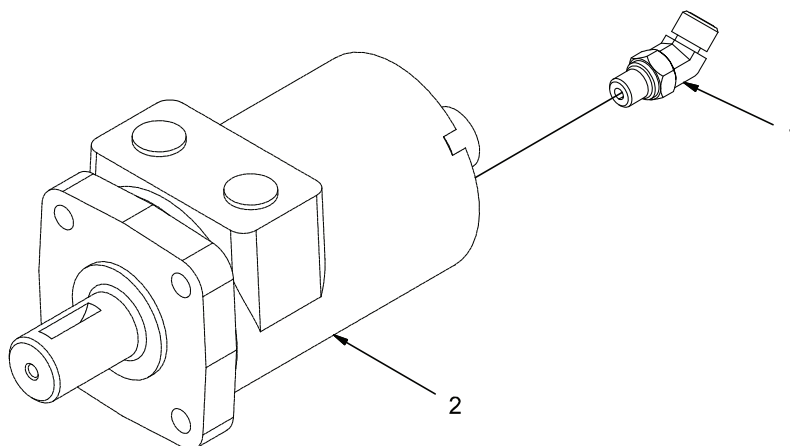
REV E

**OPTION - SIDE BRUSH HYDRAULIC HOSE GROUP (730011)**

Parts List - 730011			
ITEM	PART NO.	QTY	DESCRIPTION
1	731079	1	HOSE, 8 STR - 8 90 MED (LH MB TO SSB VALVE P2)
2	731081	1	HOSE, 10 STR - 8 45 MED (VALVE T2 TO SSB VALVE T2)
3	731082	1	HOSE, 8 STR - 8 90 MED (SSB VALVE SB OUT TO SB R)
4	731083	1	HOSE, 8-STR - 8 STR MED (SSB VALVE SB IN TO SB F)
5	731084	1	HOSE, 4-STR - 4 STR MED (STR TEE TO SSB VALVE P1)
6	731085	1	HOSE, 4 STR - 4 90 MED (VALVE T1 TO SSB VALVE T1)
7	731087	1	HOSE, 4 STR - 4 STR MED (SSB VALVE SBE B TO EXT CYL R)
8	731088	1	HOSE, 4 STR - 4 STR MED (SSB VALVE SBL A TO LIFT CYL U)
9	731089	1	HOSE, 4 STR - 4 STR MED (SSB VALVE SBE A TO EXT CYL L)
10	731089	1	HOSE, 4 STR - 4 STR MED (SSB VALVE SBL B TO LIFT CYL L)
11	731168	1	HOSE, 4 STR - 4 45 MED (LH MB CASE TO SCRUB HEAD TEE)
12	675623	1	FTG - BRANCH TEE -10 ORFS TO -10 ORFS TO -10 SAE
13	675624	1	FTG - SWIVEL NUT ELBOW -10 ORFS TO -10 ORFS

**GROUP (730036) - OPTION SIDE SCRUB BRUSH, INCLUDES SUB-GROUPS:  
730000, 730001, 730002, 730011, 730028, 730029**

**OPTION - SIDE BRUSH SCRUB HEAD GROUP (730028)**

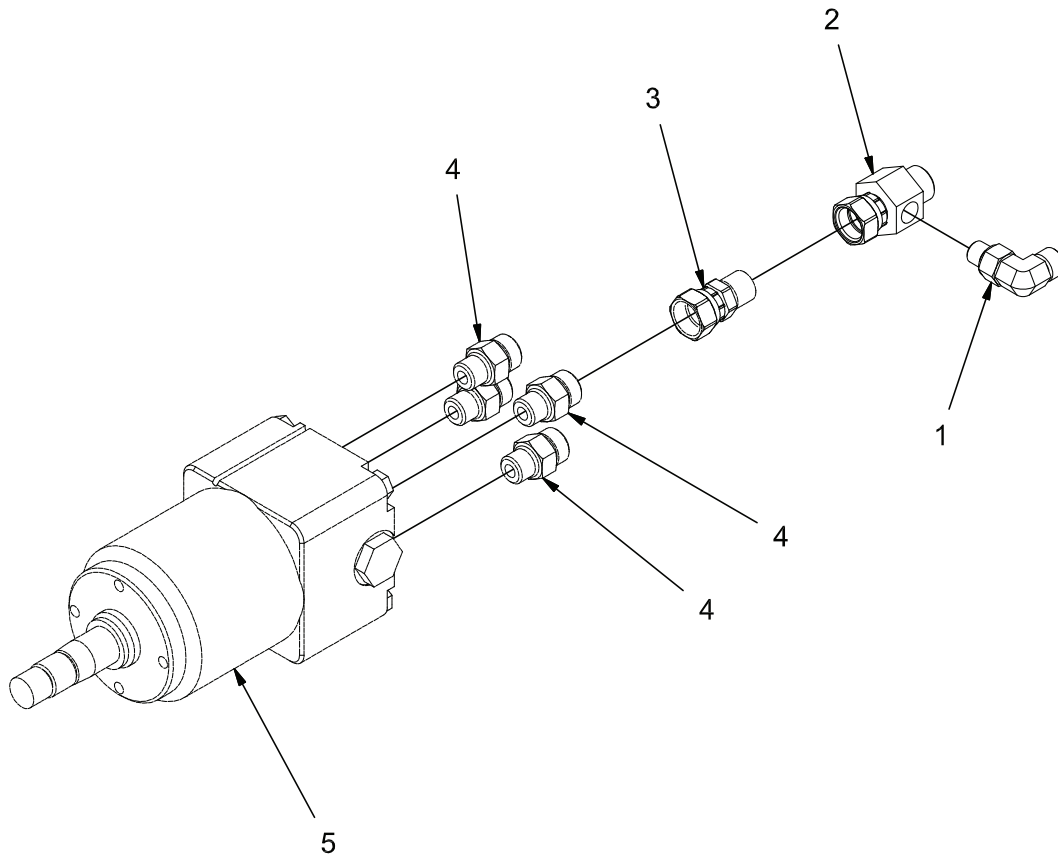


Parts List - 730028			
ITEM	PART NO.	QTY	DESCRIPTION
1	675541	1	FTG - 45, 4 ORFS - 4 SAE
2	REFERENCE	1	LEFT SCRUB BRUSH MOTOR

**GROUP (730036) - OPTION SIDE SCRUB BRUSH, INCLUDES SUB-GROUPS:  
730000, 730001, 730002, 730011, 730028, 730029**

**REV \***

**OPTION - SIDE BRUSH STEERING COLUMN GROUP (730029)**

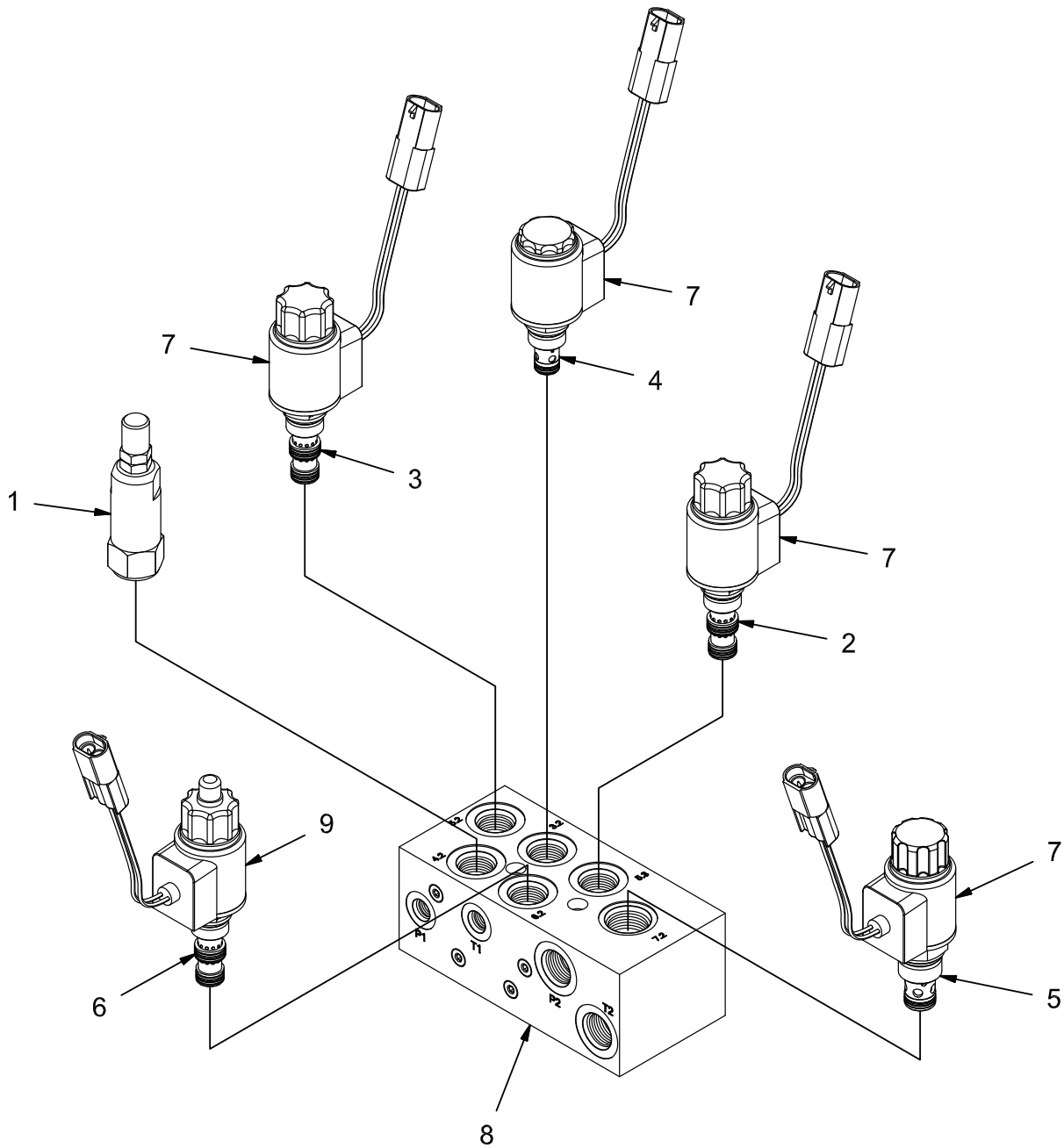


Parts List - 730029			
ITEM	PART NO.	QTY	DESCRIPTION
1	675507	1	FTG - 90, -4 ORFS - 4 SAE
2	675604	1	FTG - TEE -6 ORFS TO -6 ORFS TO -4 SAE
3	REFERENCE	1	FTG - .094 ORIFICE ADAPTER -6 ORFS TO -6 ORFS
4	REFERENCE	1	FTG - STR, 6 ORFS -G SAE
5	REFERENCE	1	STEERING UNIT

**GROUP (730036) - OPTION SIDE SCRUB BRUSH, INCLUDES SUB-GROUPS:  
730000, 730001, 730002, 730011, 730028, 730029**

**REV \***

## OPTION - SSB HYDRAULIC MANIFOLD GROUP (730171)



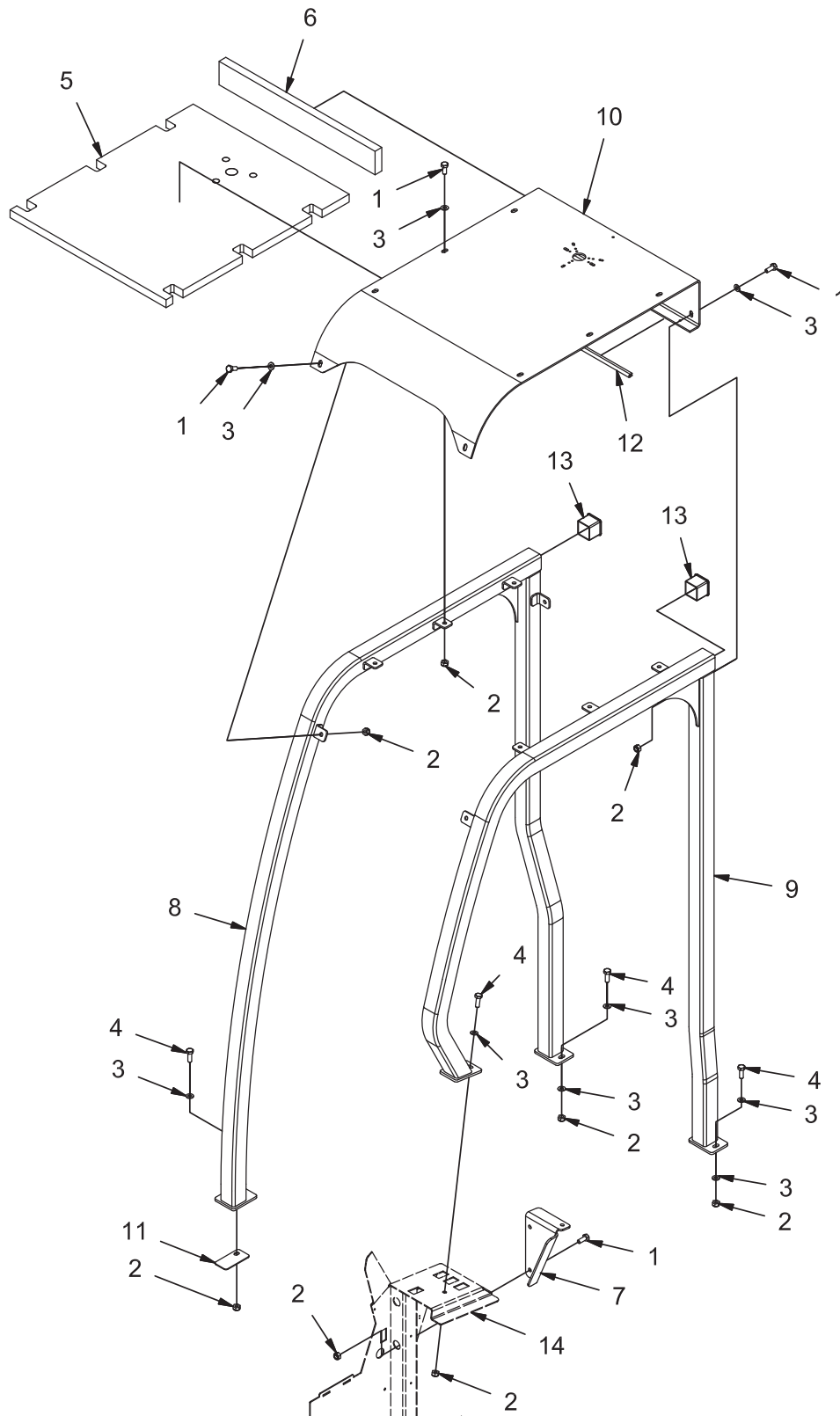
REV C



**OPTION - SSB HYDRAULIC MANIFOLD GROUP (730171)**

<b>Parts List - 730171</b>			
<b>ITEM</b>	<b>PART NO.</b>	<b>QTY</b>	<b>DESCRIPTION</b>
1	730065	1	"PORT 4.2 - RV4 - PRESSURE REDUCTION VALVE SOL. RED. VALVE, DROB-01-C-N-050-V-45"
2	730705	1	"PORT 5.3 - SV10 - SIDE BRUSH DOWN SOL. VALVE, WKOBL-01-C-N-O"
3	730705	1	"PORT 5.2 - SV12 - SIDE BRUSH EXTEND SOL. VALVE, WKOBL-01-C-N-O"
4	730707	1	"PORT 3.2 - SV11 - SIDE BRUSH UP - LOCK SOL. VALVE, WSOBZR-01-C-N-O"
5	730709	1	"PORT 7.2 - SV8 - SIDE BRUSH ON SOL. VALVE, WS10Y-01-C-N-O"
6	730710	1	"PORT 6.2 - SV9 - SIDE BRUSH FORCE PROP. RED. VALVE, PDR08-01-M-C-N-070"
7	731122	4	COIL, 12V, 3003124
8	730700-1	1	MANIFOLD BLOCK ASSY, SSB
9	731226	1	COIL, PROPORTIONAL, 12PL-2.2-40-1836

## OPTION - OVERHEAD GUARD GROUP (730003)

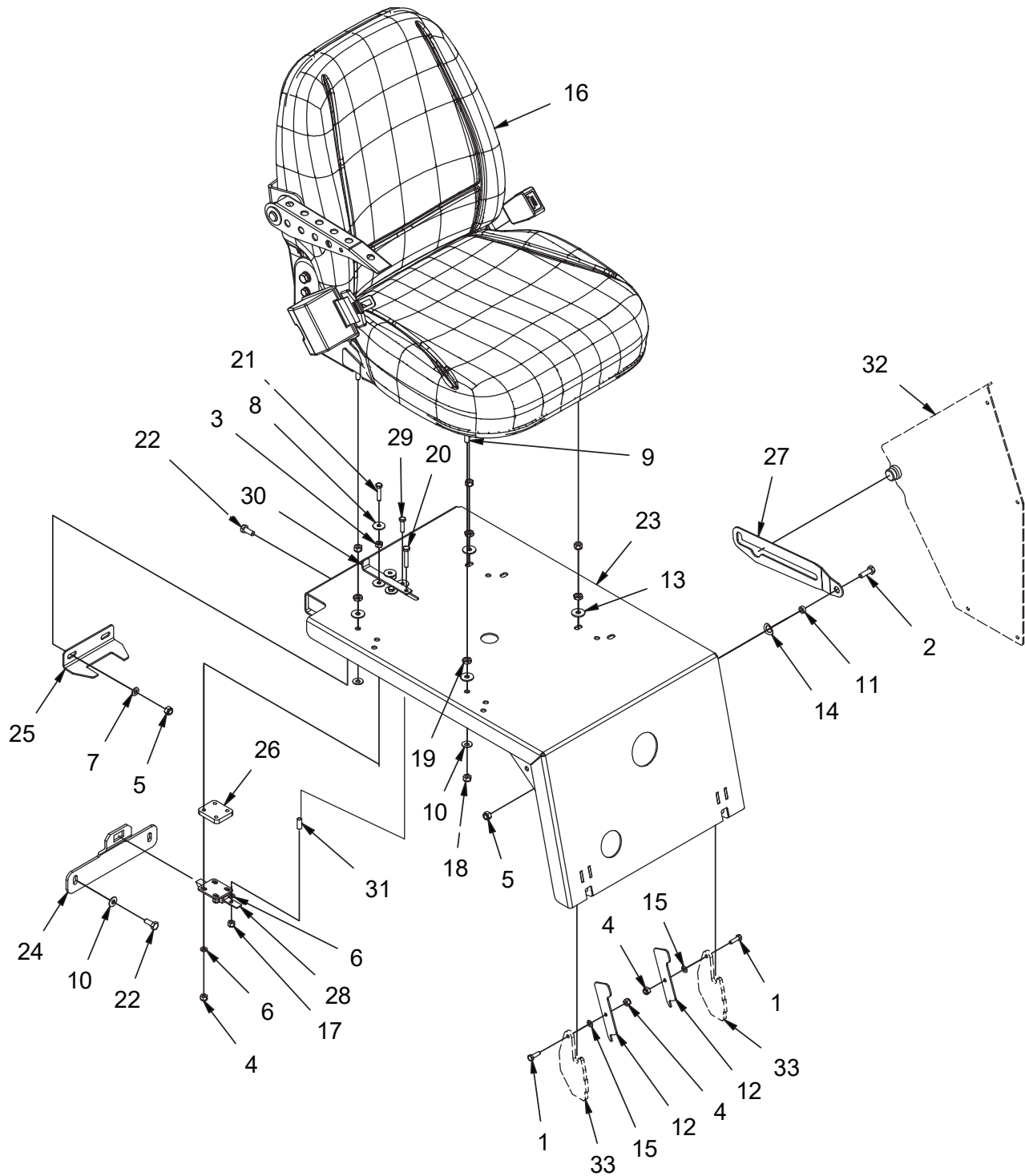


REV B

**OPTION - OVERHEAD GUARD GROUP (730003)**

<b>Parts List - 730003</b>			
<b>ITEM</b>	<b>PART NO.</b>	<b>QTY</b>	<b>DESCRIPTION</b>
1	11038346	12	BOLT, M10-1.50 X 25 HH
2	12040069	16	NUT, M10-1.50 ESN
3	12310058	14	WASHER, M10
4	730878	4	SCR-HH M10-1.5 X 30 SS
5	730388	1	INSULATION, SOUND, OHG TOP
6	730389	1	INSULATION, SOUND, OHG BACK
7	730697	1	BRACKET, OHG
8	731012	1	WELDMENT, OHG, RH SIDE
9	731020	1	WELDMENT, OHG, LH SIDE
10	731024	1	OHG, TOP PLT
11	731026	1	PLATE, SPACER
12	731027	1	EDGING, 3/16 X 23.62 IN
13	731028	2	PLUG, TUBING
14	REFERENCE	1	CONSOLE

## OPTION - SUSPENSION SEAT GROUP (730007)

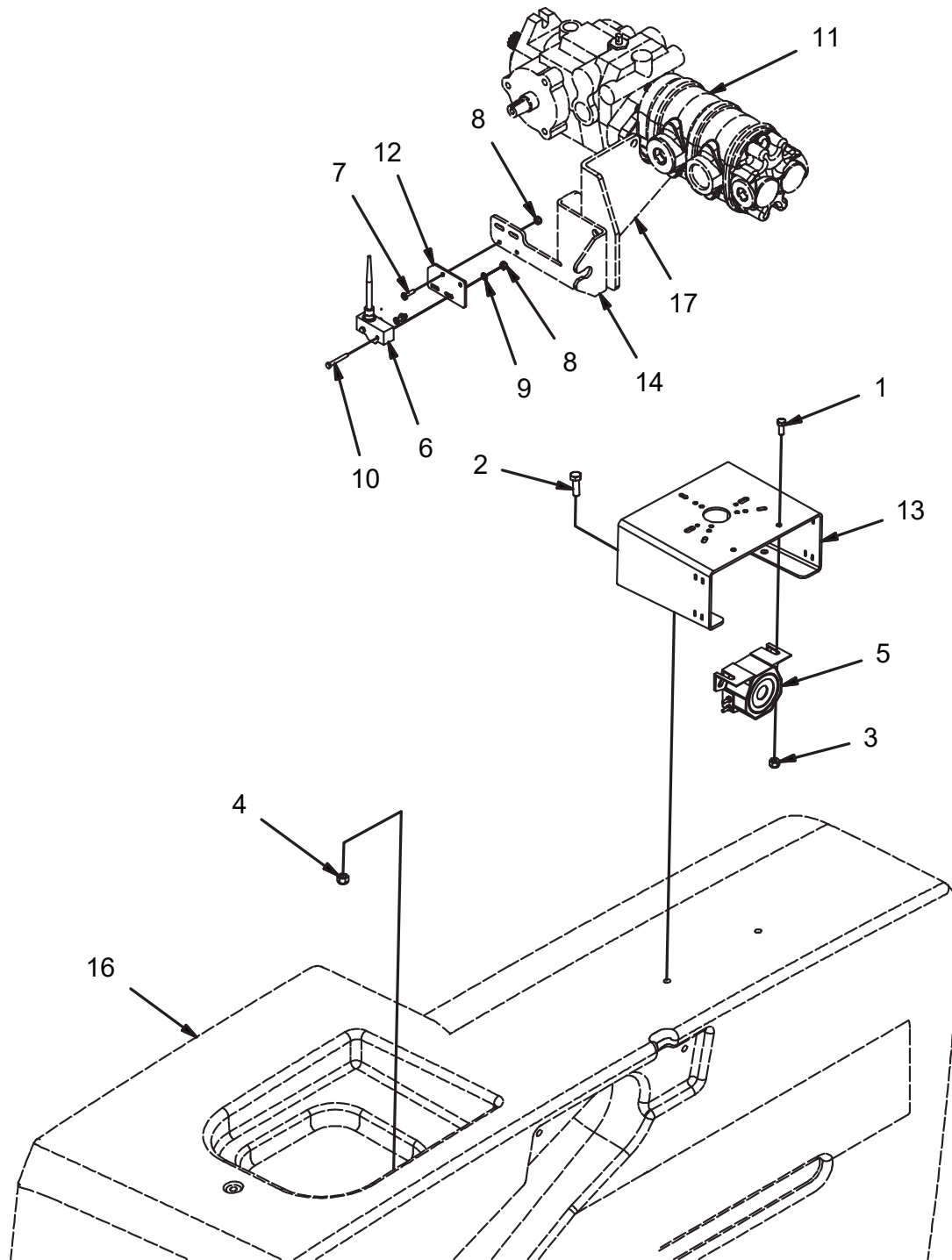


REV E

**OPTION - SUSPENSION SEAT GROUP (730007)**

<b>Parts List - 730007</b>			
<b>ITEM</b>	<b>PART NO.</b>	<b>QTY</b>	<b>DESCRIPTION</b>
1	11038098	2	SCR-HH M6-1.0 X 20 ZP CLASS 8.8 DIN
2	11038247	1	SCR-HH M8-1.25 X 25 ZP CLASS 8.8
3	12022042	2	NUT-HEX M6 X 1.0 STL ZD CL8 DIN 934
4	12040044	6	NUT-NYLOC M6 X 1.0 ZP CLASS 6
5	12040051	3	NUT-NYLOC M8 X 1.25 ZP CLASS 8
6	12310033	5	WASHER-FLAT M6.4 X 12 X 1.6 ZP
7	12310041	2	WASHER-FLAT M8.4 X 16 X 1.6 ZP
8	173080	6	WASHER-FLAT .266 X .875 X .07 SS
9	3400035	4	SCR-HH 5/16-18 X 1.00 ZP GR 5
10	3400384	6	WASHER-CONICAL SPRING 5/16
11	600138	1	SPACER, .328 B .500 OD .188T, SS
12	600194	2	LATCH COVER, ZP CLEAR
13	600940	4	WASHER-FENDER M8 X 24 ZP
14	600948	1	WASHER-WAVE .500 ID X 1.00 OD X .040 THI
15	600963	2	WASHER-WAVE M6 DIN 137
16	623001	1	SEAT, SUSPENSION W/SEAT BELT, RH
17	711373	1	NUT-NYLOC 1/4-20 ZP
18	711374	4	NUT-NYLOC 5/16-18 ZP
19	711420	4	NUT-JAM 5/16-18 ZP
20	713005	1	SCR-HH 1/4-20 X 1.50 ZP GR 5 PART THRD
21	717021	2	SCR-HH M6-1.0 X 30 ZP CLASS 8.8
22	717024	4	SCR-HH M8-1.25 X 20 ZP GRADE 8.8
23	730320	1	WELDMENT, SEAT MOUNT
24	730482	1	BRACKET, SEAT STRIKER ZP
25	730484	1	PLATE, SEAT LOCK
26	730486	1	PLATE, SPACER ZP
27	730487	1	SUPPORT, SEAT MOUNT ZP CLR
28	730488	1	SLIDE LATCH
29	731006	2	SCR-HH M6-1.00 X 25 ZP CLASS 8.8
30	731262	1	RELEASE, LATCH
31	731263	1	SPACER, .257 B .313 OD .813 T
32	REFERENCE	1	COVER PLATE
33	REFERENCE	1	CONSOLE

## OPTION - BACKUP ALARM GROUP (730008) STANDARD ON CE AND UK MODELS

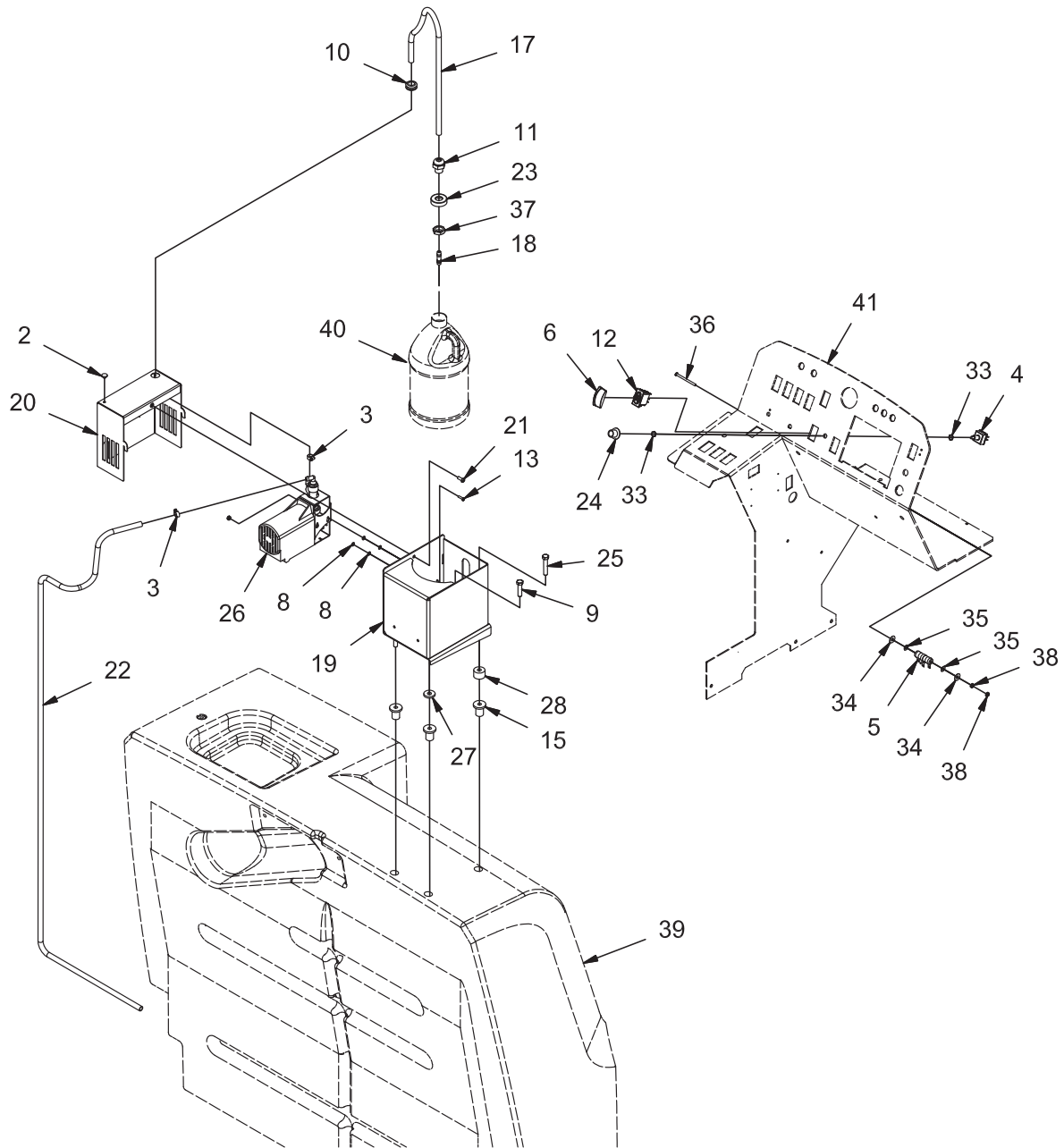


REV C

**OPTION - BACKUP ALARM GROUP (730008)**

<b>Parts List - 730008</b>			
<b>ITEM</b>	<b>PART NO.</b>	<b>QTY</b>	<b>DESCRIPTION</b>
1	11038072	2	BOLT, M6-1.00 X 16 HH
2	11039567	2	BOLT, M8-1.25 X 25 HH SS
3	12040044	2	NUT, M6-1.00 ESN
4	12040259	2	NUT, M8-1.25 ESN SS
5	3303002	1	ALARM, BACKUP
6	3342546-1	1	HARNESS, SWITCH, WHISKER
7	3400045	2	SCREW, #8-32 X .625 PAN HD ZP
8	711372	4	NUT, FIBER INSERT #8-32
9	711502	2	FLATWASHER, #8
10	620136	2	BOLT, #8-32 X 1.25 HH ZP
11	REFERENCE	1	PUMP, AUXILIARY
12	731002	1	MOUNT, REVERSE SWITCH
13	731030	1	MOUNT, SAFETY LIGHTS
14	REFERENCE	1	ADJUSTOR, HYDROBACK W/SW MOUNT
15	REFERENCE	1	PUMP ASSEMBLY
16	REFERENCE	1	SOLUTION TANK
17	REFERENCE	1	HYDROBACK MOUNT
	748980	1	HARNESS, SAFETY LT & BACKUP ALARM
	748719	1	HARNESS ASSEMBLY, BACK UP ALARM

## OPTION - CHEMICAL METERING GROUP (730015)



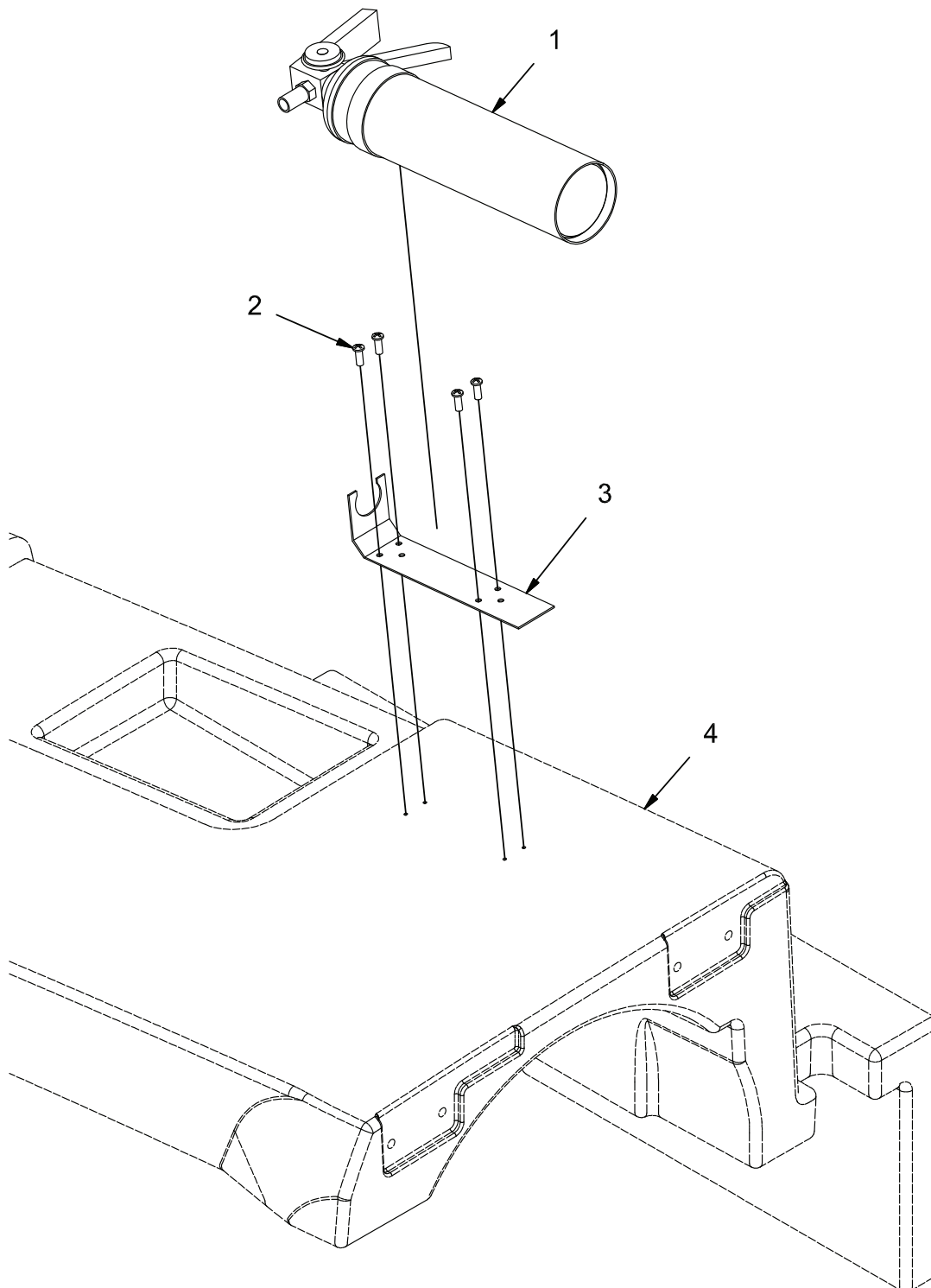
REV G



**OPTION - CHEMICAL METERING GROUP (730015)**

Parts List - 730015			
ITEM	PART NO.	QTY	DESCRIPTION
1	172400	1	FITTING, TEE, .38 X .50 X .50 POLY
2	3300526	1	BUMPER, .25 ID .125 T
3	3302338	2	CLAMP, HOSE, .50
4	3303072	1	SWITCH, ROTARY, 4-WAY
5	3323992	1	RESISTOR
6	3344038	1	SWITCH CAP
7	711372	2	NUT, FIBER INSERT #8-32
8	711502	4	FLATWASHER, #8
9	3400455	2	SCREW, 3/8-16 X 1.50 HH SS
10	600151	1	GROMMET, .63 ID .88 OD .25 T
11	600482	1	STRAIN RELIEF
12	620137	1	SWITCH BODY, DPST W/GREEN LAMP
13	710230	2	SCREW, #8-32 X .62 PAN HD
15	730991	3	NUT, RUBBER EXPANSION
17	731106	1	TUBING, .375 ID X .06 WALL VINYL 30 IN
18	731107	1	FTG-NIPPLE 3/8 HB X 3/8 HB NYLON
19	731111	1	WELDMENT, CHEMICAL PUMP MNT
20	731114-1	1	ASSEMBLY, PUMP COVER
21	731116	1	SCREW, M6-1.00 X 16 BUTTON HD CAP ZP
22	731117	1	TUBING, .375 ID X .06 WALL VINYL
23	PART OF 731120	1	CAP, CHEMICAL CONTAINER
24	731187	1	KNOB
25	731213	1	BOLT, 3/8-16 X 2.00 HH SS
26	731350	1	PUMP ASSY, METERING
27	731385	1	SPACER, .406 B 1.125 OD .188 T
28	731386	1	SPACER, .406 B 1.125 OD .750 T
29	748461	1	HARNESS ASSY, SPRAY PUMP
30	748462	1	HARNESS ASSY, SPRAY PUMP
31	748463	1	HARNESS ASSY, SPRAY PUMP
32	748464	1	WIRE ASSY, ORANGE, 16 AWG
33	PART OF 3303072	2	NUT
34	PART OF 3323983	2	FLAT WASHER, .31
35	PART OF 3323893	2	WASHER, RIDGE
36	PART OF 3323983	1	SCREW, #10-32 X 2.63
37	PART OF 600482	1	NUT, PLASTIC
38	PART OF 3323983	2	NUT, #19-32
39	REFERENCE	1	SOLUTION TANK
40	731120	1	CHEMICAL CONTAINER
41	REFERENCE	1	CONSOLE

OPTION - FIRE EXTINGUISHER GROUP (730016)



REV \*

**OPTION - FIRE EXTINGUISHER GROUP (730016)**

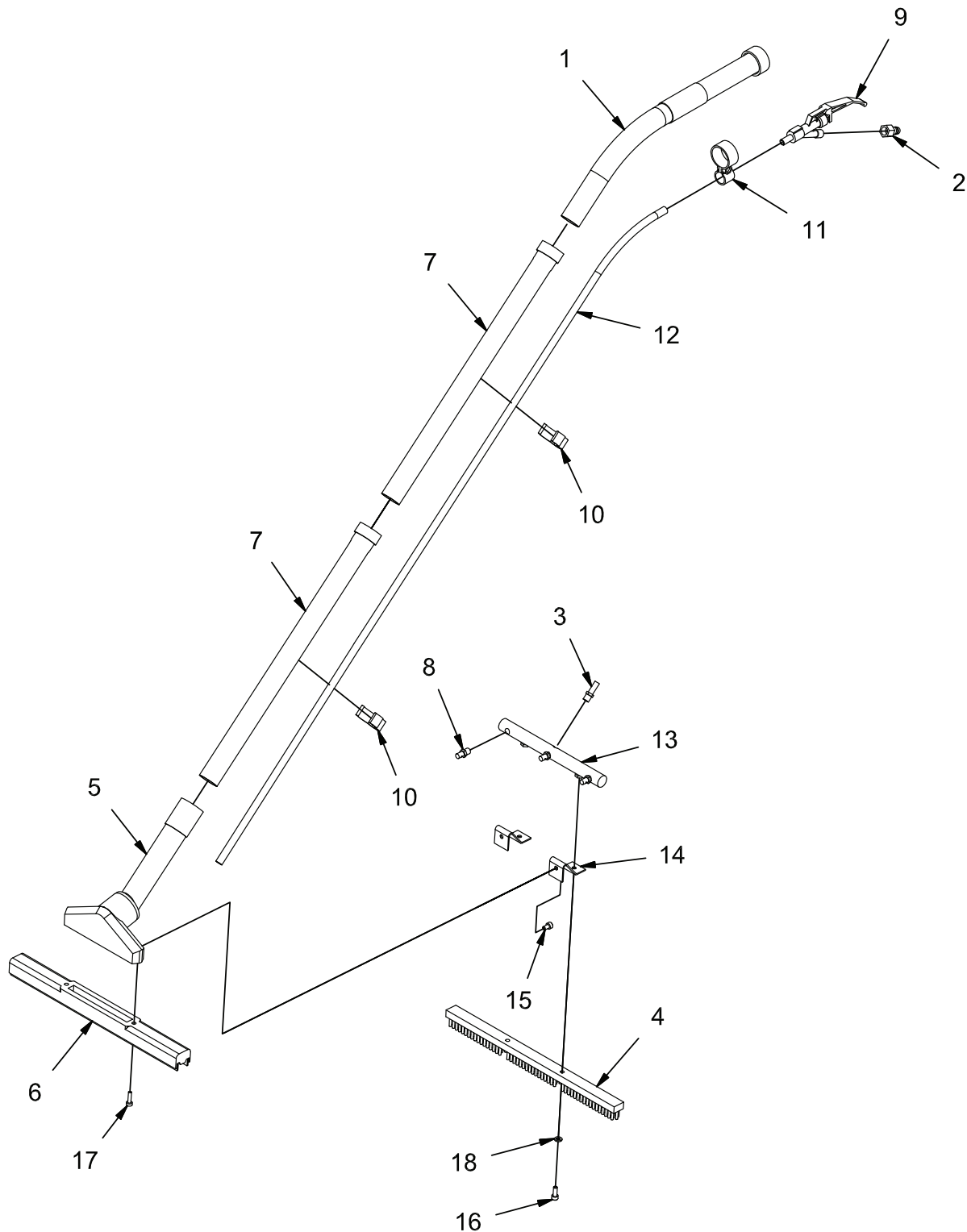
<b>Parts List - 730016</b>			
<b>ITEM</b>	<b>PART NO.</b>	<b>QTY</b>	<b>DESCRIPTION</b>
1	3302769	1	FIRE EXTINGUISHER
2	731099	4	SCREW, M6 X 16 PAN HD ZP FOR PLASTIC
3	PART OF 3302769	1	MOUNT, EXTINGUISHER
4	REFERENCE	1	TOP COVER



**OPTION - AUTO FILL GROUP (730017)**

<b>Parts List - 730017</b>			
<b>ITEM</b>	<b>PART NO.</b>	<b>QTY</b>	<b>DESCRIPTION</b>
1	101020	1	INDICATOR-PLATE OFF/ON
2	121109	1	SWIVEL-3/4" FGH X 1/2" BRASS
3	3302737-1	1	WIRE ASSY, SWITCH-LEVEL LS7
4	3315535	2	FTG-ELBOW 90 1/2 MPT X 1/2 HB PP
5	3400340	1	NUT-NYLOC 3/8-16 SS
6	3400384	1	WASHER-CONICAL SPRING 5/16
7	3400385	4	WASHER-CONICAL SPRING 3/8
8	383465	1	FTG-NIPPLE 1/2 MPT X 1-1/8 LG BRASS
9	710985	3	SCR-BHSCS 3/8-16 X .625 ZP
10	730529	1	SCR-HH 3/8-16 X 1.00 SS
11	730959	1	SCR-HH 3/8-16 X .75 SS
12	730962	2	CLAMP - UNICLAMP .650 DIA MAGNI 565
13	731042	1	BRACKET, AUTO FILL
14	731043	1	FTG-QUICK DISCONNECT 1/2
15	731044	1	FTG- BULKHEAD 1/2 NPT
16	731045	1	VALVE, SOLENOID WATER
17	731046	1	TUBING, .50 ID X .13 WALL BRAID VINYL
18	731048	1	FTG-QUICK DISCONNECT NIPPLE 1/2 FPT
19	731049	1	FTG-ELBOW 90 1/2 MPT X 1/2 MPT BRASS
20	731383	1	HOSE - COIL .38 X 50 FT
21	731615	1	WELDMENT, HOSE CARRIER
22	747693-1	1	SWITCH ASY, TOGGLE ON-ON SPDT W/ 3P
23	748989	1	HARNESS, AUTO FILL
24	PART OF 731044	1	WASHER
25	PART OF 731044	1	NUT
26	REFERENCE	1	FRAME
27	REFERENCE	1	SOLUTION TANK

## OPTION - SPRAY AND VAC WAND TOOL GROUP (730021 - PART 1)



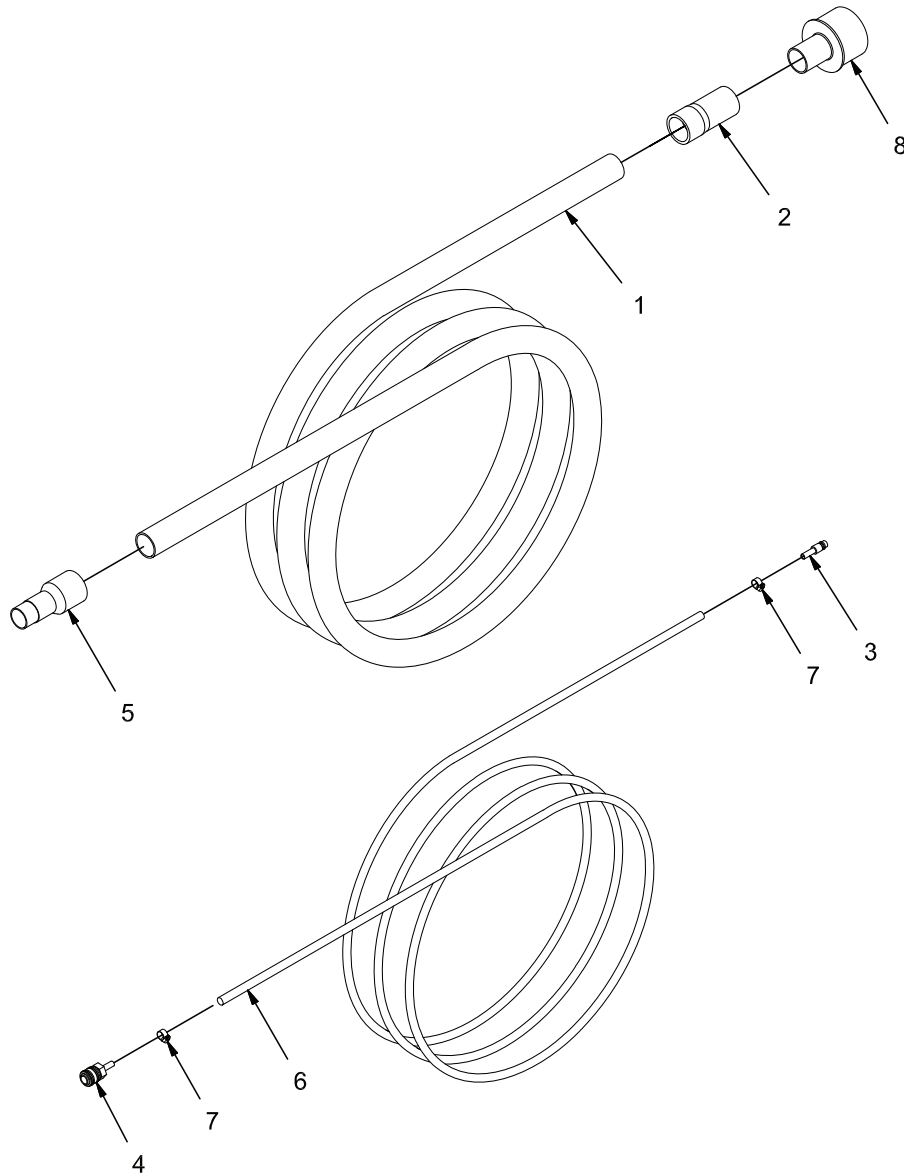
REV \*

**OPTION - SPRAY AND VAC WAND TOOL GROUP (730021 PART 1)**

<b>Parts List - 730021</b>			
<b>ITEM</b>	<b>PART NO.</b>	<b>QTY</b>	<b>DESCRIPTION</b>
1	***	1	UPPER TUBE - AVAILABLE ON REQUEST
2	00054440	1	FITTING, MALE QUICK DISCONNECT
3	00054450	1	FITTING, HOSE BARB
4	00112340	1	BRUSH STRIP
5	00112350	1	NOZZLE BODY
6	00112360	1	SQUEEGEE BLADE
7	00442330	2	TUBE
8	00501580	3	SPRAY NOZZLE
9	00552250	1	VALVE
10	00552410	2	CLIP, HOSE
11	00552440	1	BRACKET, PIPE
12	00704720	1	HOSE, SOLUTION
13	00704730	1	BLAST PIPE
14	03500300	2	BRACKET, RETAINER
15	11126018	2	BOLT, M6 X 10 AHCS
16	11126166	2	SCREW, CYL HD, M6 X 16
17	11405040	2	SCREW, SELF TAPPING 4,8 X 19
18	12310033	2	WASHER, M6
***	99700910B	1	COMPLETE WAND

**GROUP (730030) - OPTION SPRAY AND VAC WAND, INCLUDES SUB-GROUPS:  
730021, 730022, 730023.**

## OPTION - SPRAY AND VAC WAND HOSE GROUP (730021 PART 2)



REV \*

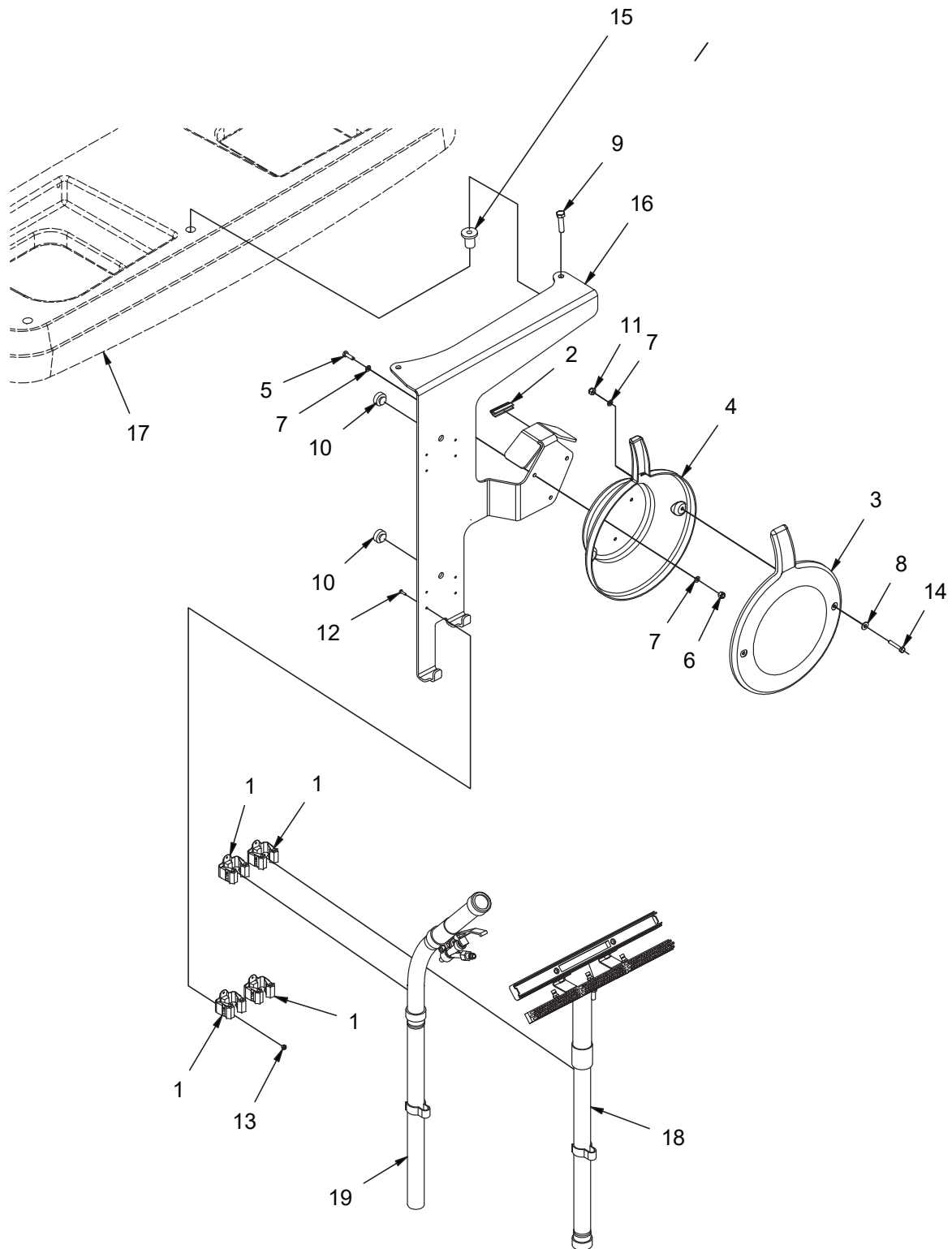


**OPTION - SPRAY AND VAC WAND HOSE GROUP (730021 PART 2)**

<b>Parts List - 730021</b>			
<b>ITEM</b>	<b>PART NO.</b>	<b>QTY</b>	<b>DESCRIPTION</b>
1	00010670	1	ASSEMBLY, VACUUM HOSE
2	00101280	1	HOSE CUFF, FEMALE
3	00552380	1	MALE QUICK DISCONNECT
4	00552400	1	FEMALE QUICK DISCONNECT
5	00782240	1	HOSE CUFF, MALE
6	01074690	1	ASSEMBLY, PRESSURE HOSE
7	17533100	2	CLAMP, HOSE
8	731098	1	ADAPTER, HOSE

**GROUP (730030) - OPTION SPRAY AND VAC WAND, INCLUDES SUB-GROUPS:  
730021, 730022, 730023.**

## OPTION - SPRAY AND VAC WAND MOUNT GROUP (730022)



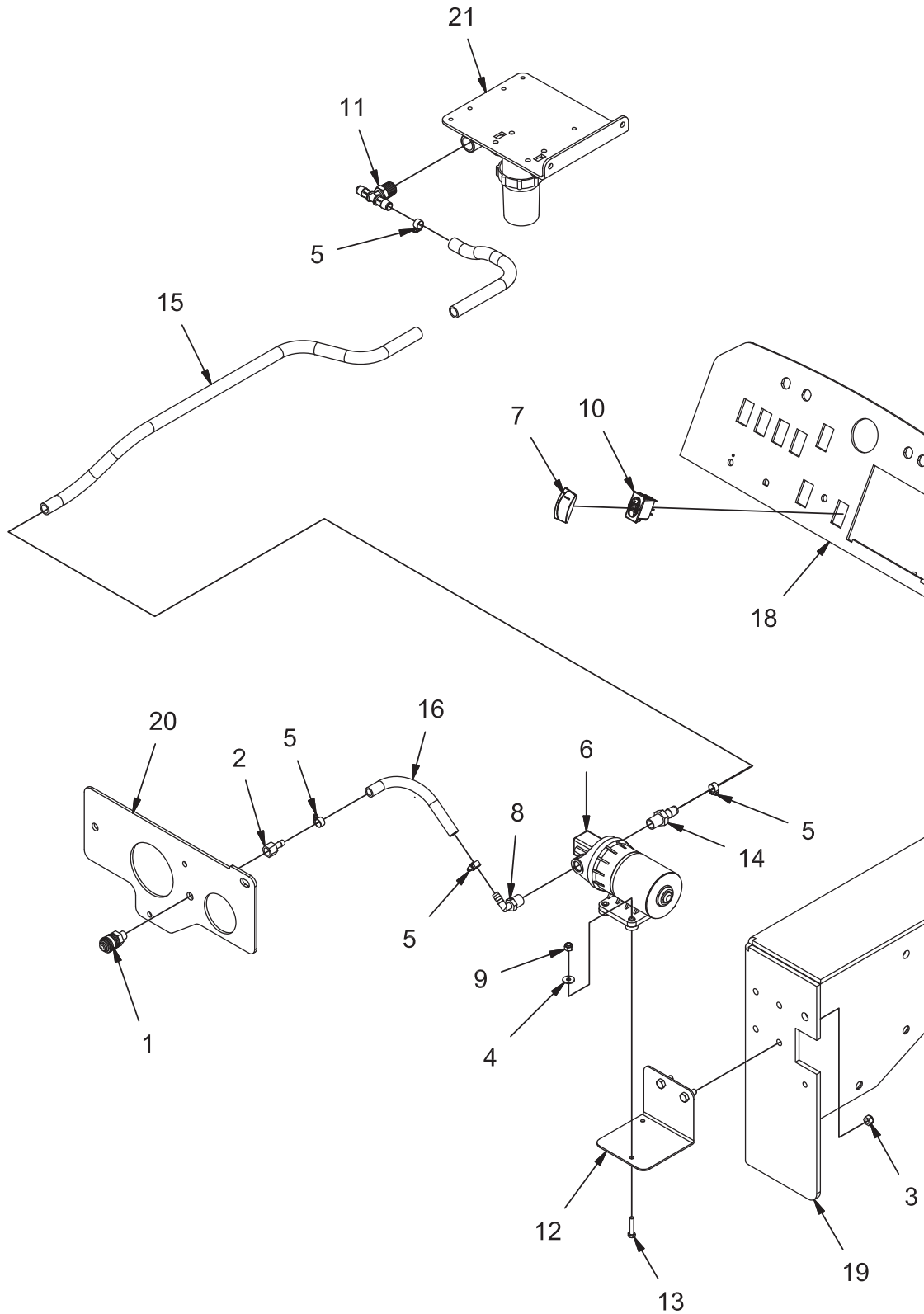
REV C

**OPTION - SPRAY AND VAC WAND MOUNT GROUP (730022)**

<b>Parts List - 730022</b>			
<b>ITEM</b>	<b>PART NO.</b>	<b>QTY</b>	<b>DESCRIPTION</b>
1	00560010	4	CLAMP
2	00800100	1	SEALING STRIP (EACH=METERS)
3	01090890	1	HOSE MOUNT, COVER
4	01090900	1	HOSE MOUNT, HALF SHELL
5	11038098	3	SCR-HH M6-1.0 X 20 ZP CLASS 8.8 DIN
6	12040044	3	NUT-NYLOC M6 X 1.0 ZP CLASS 6
7	12310033	8	WASHER-FLAT M6.4 X 12 X 1.6 ZP
8	0711505	2	WASHER-FLAT 1/4 ZP
9	03400455	2	SCR-HH 3/8-16 X 1.50 SS
10	600117	2	BUMPER, 1.0 OD, .50 GROMMET, RUBBER
11	600933	2	NUT-NYLOC M6-1.00 SS
12	710204	8	SCR-PHMS 6-32 X .50 ZP
13	711371	8	NUT-NYLOC 6-32 ZP
14	730508	2	SCR-HH M6-1.00 X 35 FULL THREAD SS
15	730991	2	NUT, RUBBER EXPANSION
16	731097	1	BRACKET, HOSE MOUNT
17	REFERENCE	1	DEMISTER
18	REFERENCE	1	LOWER VAC WAND ASSEMBLY
19	REFERENCE	1	UPPER VAC WAND ASSEMBLY

**GROUP (730030) - OPTION SPRAY AND VAC WAND, INCLUDES SUB-GROUPS:  
730021, 730022, 730023.**

## OPTION - SPRAY AND VAC WAND PUMP GROUP (730023)



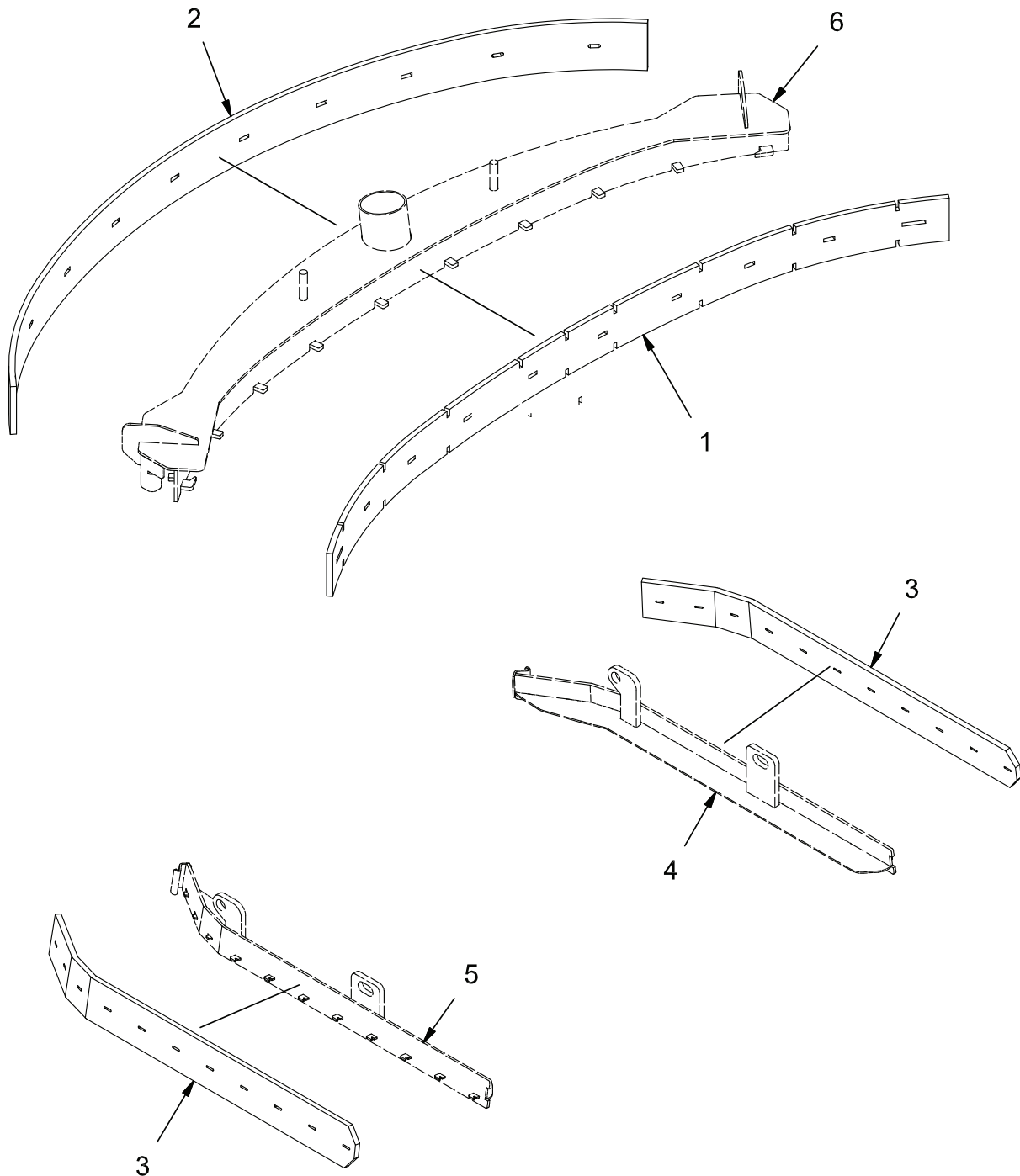
REV B

**OPTION - SPRAY AND VAC WAND PUMP GROUP (730023)**

<b>Parts List - 730023</b>			
<b>ITEM</b>	<b>PART NO.</b>	<b>QTY</b>	<b>DESCRIPTION</b>
1	00552590	1	FEMALE QUICK DISCONNECT
2	00552600	1	FITTING, BARB
3	12040259	2	NUT, M8-1.25 ESN SS
4	12332011	2	WASHER, FENDER, M6
5	3302338	4	CLAMP, HOSE, .50
6	3331278	1	PUMP, SOLUTION
7	3344038	1	SWITCH COVER - BLACK, NO LENS
8	3400985	1	FITTING, PLASTIC, 90, .375 NPT .375 BARB
9	600933	2	NUT, M6-1.00 ESN SS
10	620137	1	SWITCH BODY, DPST W/GREEN LAMP
11	730969	1	FITTING, TEE, .50 NPT - .50 BARB, NYLON
12	731038	1	WELDMENT, PUMP MNT
13	731050	2	BOLT, M6-100 X 30 HH SS
14	731094	1	FITTING, STR, 1/2 BARB X 3/8 MALE NPT
15	731095	1	TUBING, .50 ID VINYL
16	731096	1	TUBING, .375 ID VINYL
17	748797	1	HARNESS, OAW PUMP OPT
18	REFERENCE	1	INSTRUMENT PANEL
19	REFERENCE	1	FRAME
20	REFERENCE	1	VALVE MOUNT PLATE
21	REFERENCE	1	FILTER MOUNT BRACKET

**GROUP (730030) - OPTION SPRAY AND VAC WAND, INCLUDES SUB-GROUPS:  
730021, 730022, 730023.**

## OPTION - URETHANE SQUEEGEE BLADE GROUP (730024)

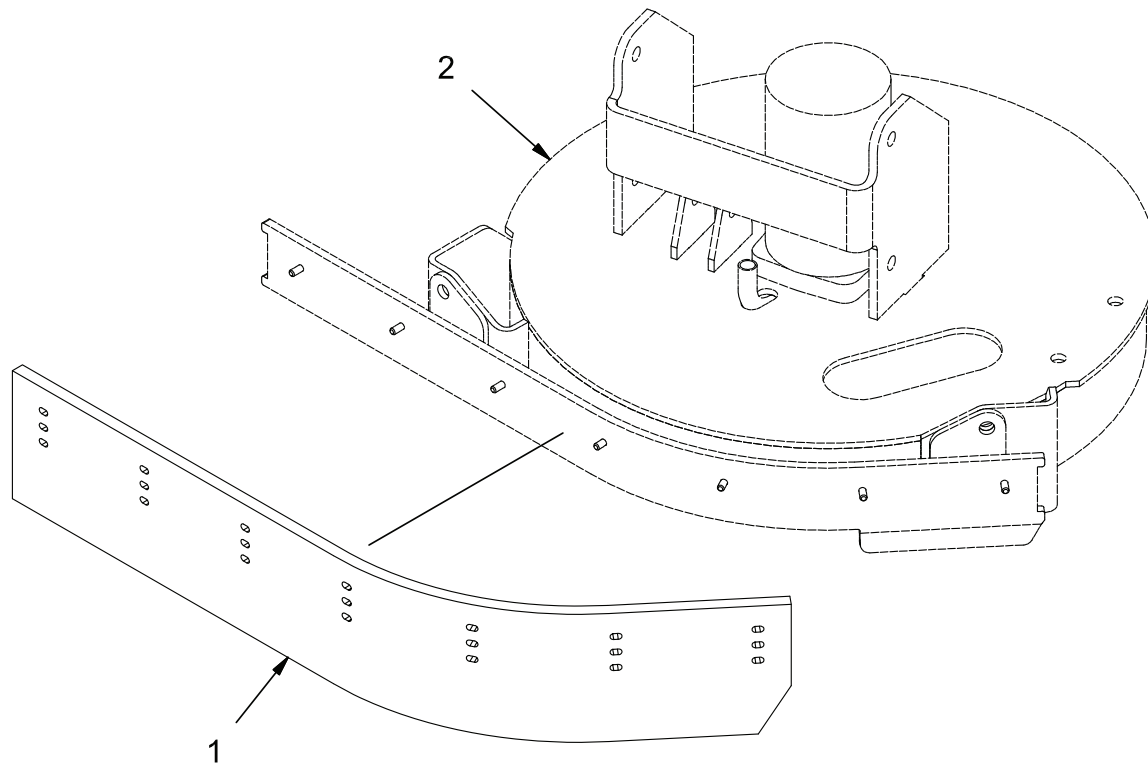


REV \*

**OPTION - URETHANE SQUEEGEE BLADE GROUP (730024)**

<b>Parts List - 730024</b>			
<b>ITEM</b>	<b>PART NO.</b>	<b>QTY</b>	<b>DESCRIPTION</b>
1	731101	1	SQUEEGEE BLADE, FRONT, URETHANE
2	731102	1	SQUEEGEE BLADE, REAR, URETHANE
3	731103	2	SQUEEGEE, SIDE, URETHANE
4	REFERENCE	1	LH SQUEEGEE MOUNT
5	REFERENCE	1	RH SQUEEGEE MOUNT
6	REFERENCE	1	SQUEEGEE WELDMENT

OPTION - URETHANE SIDE BRUSH SQUEEGEE GROUP (730025)



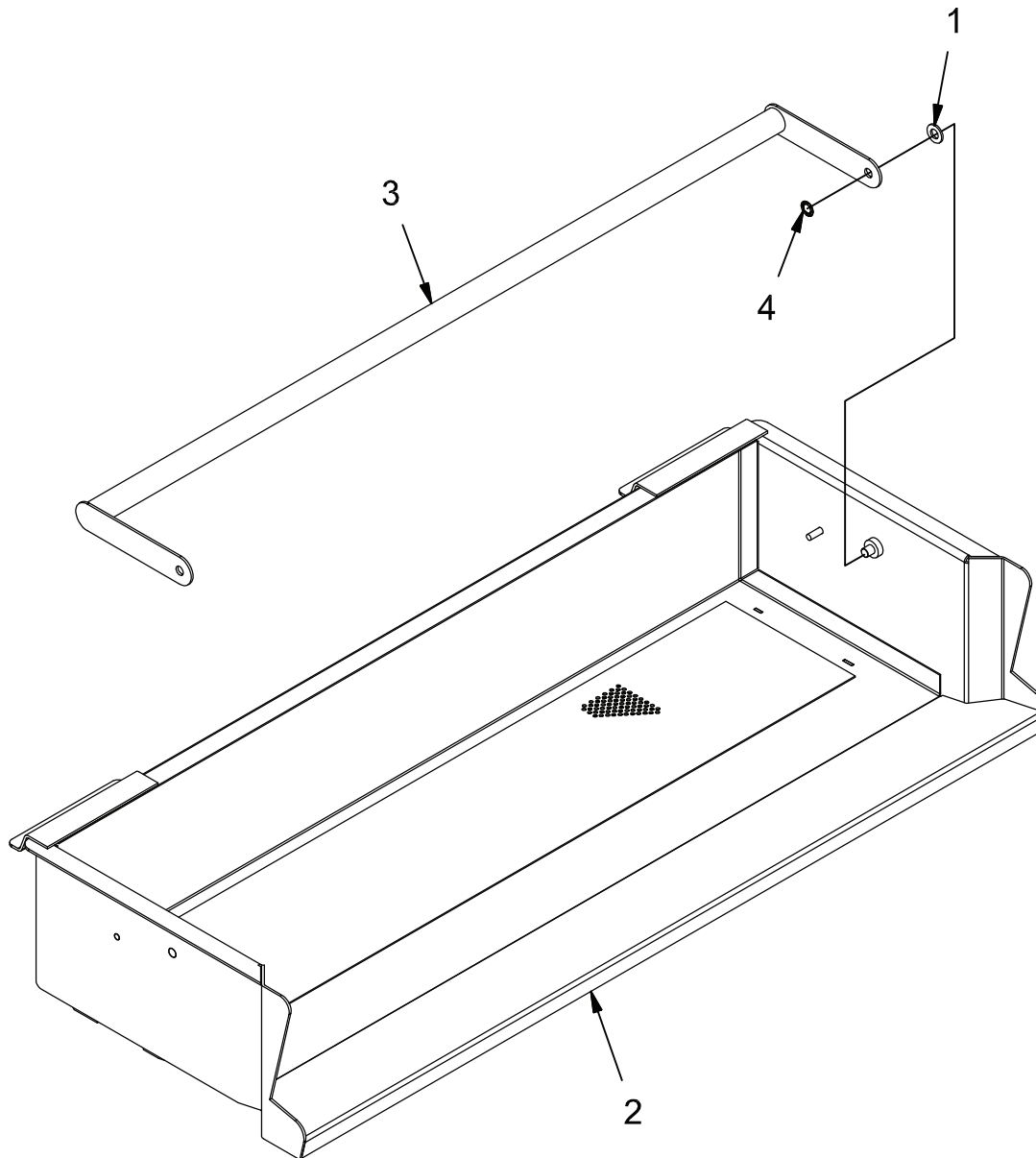
REV \*



**OPTION - URETHANE SIDE BRUSH SQUEEGEE GROUP (730025)**

<b>Parts List - 730025</b>			
<b>ITEM</b>	<b>PART NO.</b>	<b>QTY</b>	<b>DESCRIPTION</b>
1	731104	1	SSB SQUEEGEE BLADE, URETHANE
2	REFERENCE	1	SSB MOUNT

OPTION - STAINLESS STEEL HOPPER GROUP (730027)

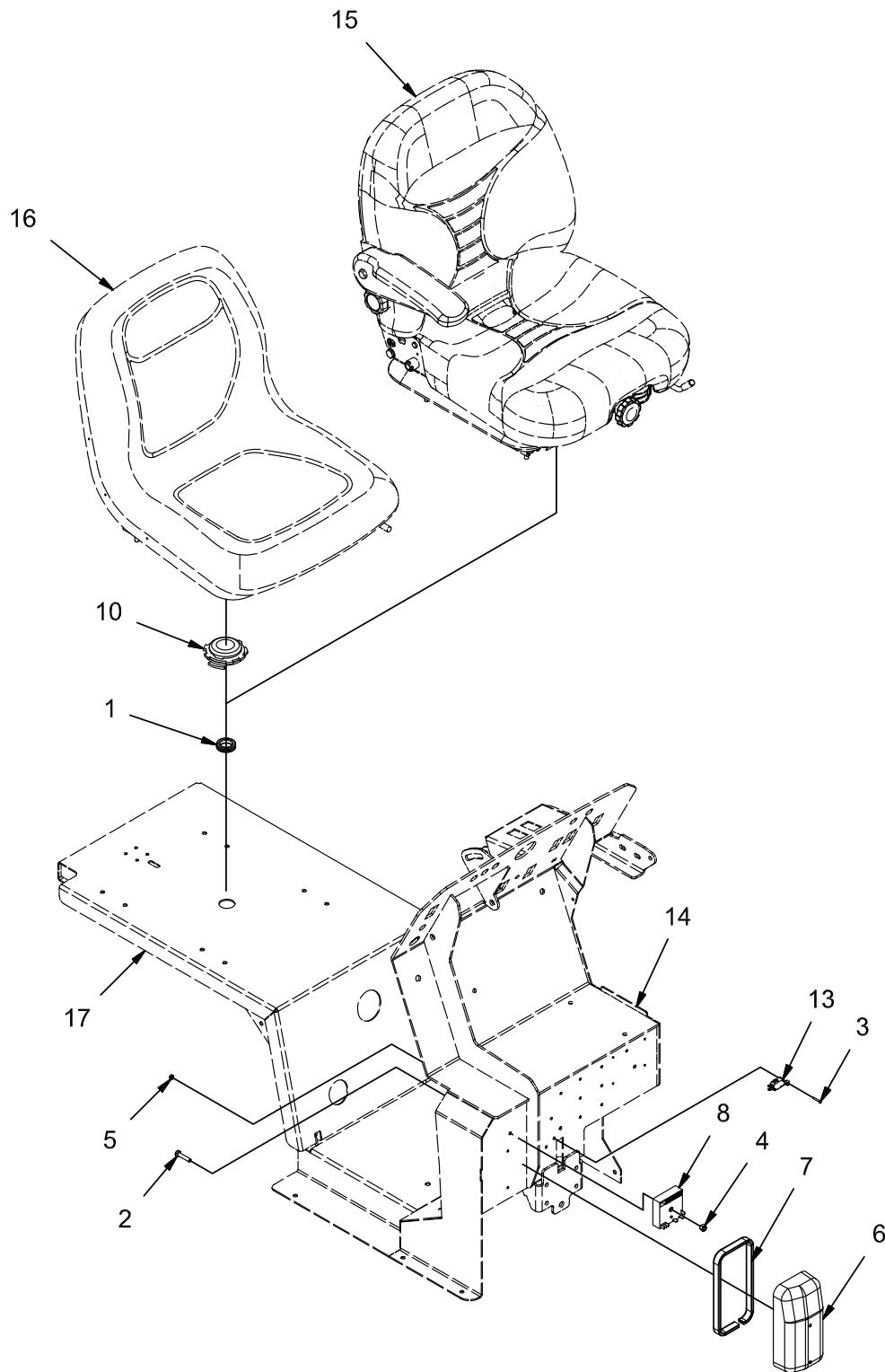


REV \*

**OPTION - STAINLESS STEEL HOPPER GROUP (730027)**

<b>Parts List - 730027</b>			
<b>ITEM</b>	<b>PART NO.</b>	<b>QTY</b>	<b>DESCRIPTION</b>
1	730344	2	WASHER, M10 SS
2	730815	1	WELDMENT, HOPPER
3	730835	1	WELDMENT, HANDLE
4	730844	2	RETAINING CLIP, .375 SS

## OPTION - SEAT SWITCH (730031) STANDARD ON CE AND UK MODELS

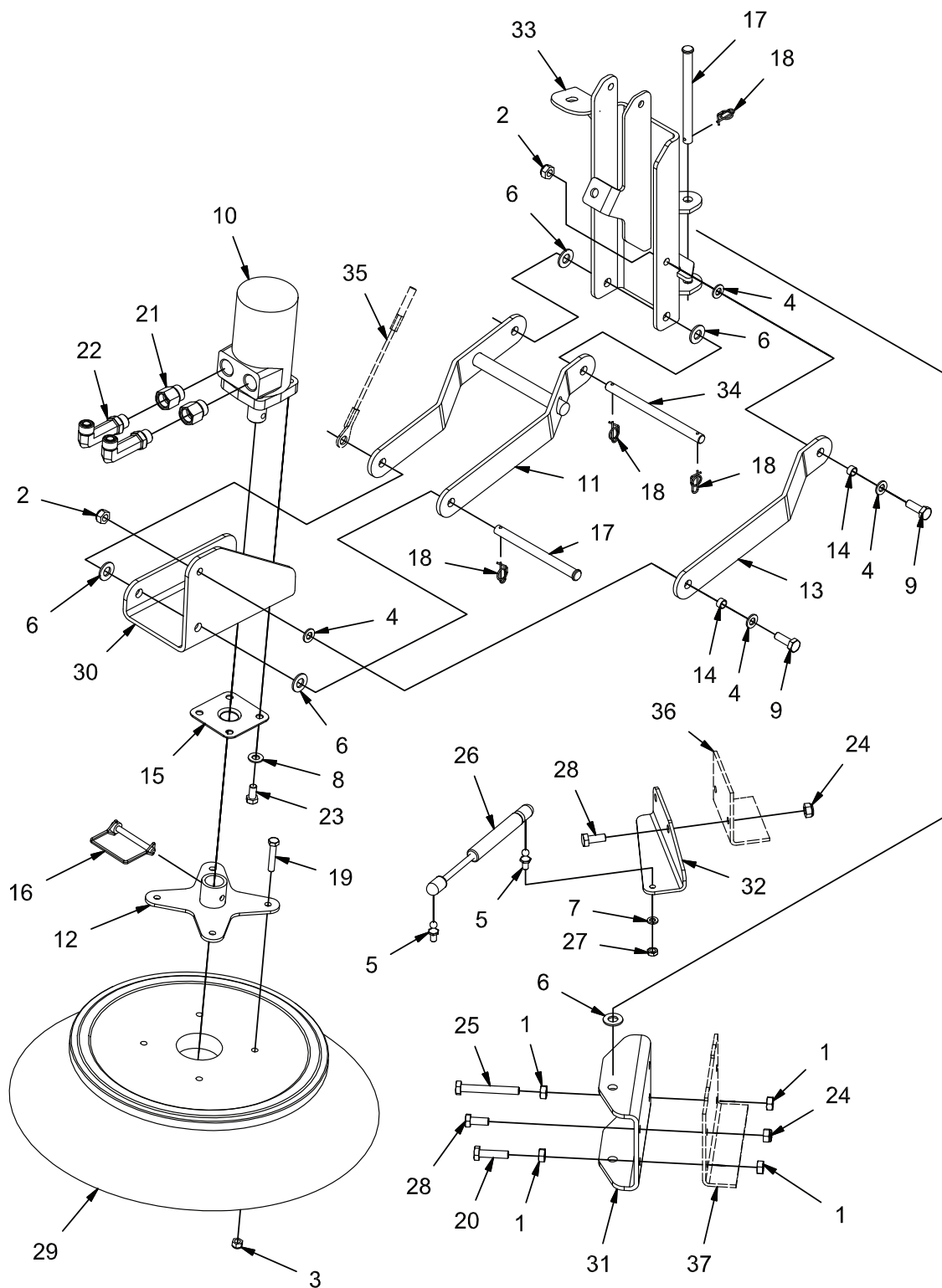


REV A

**OPTION - SEAT SWITCH (730031)**

<b>Parts List - 730031</b>			
<b>ITEM</b>	<b>PART NO.</b>	<b>QTY</b>	<b>DESCRIPTION</b>
***	748456	1	HARNESS, SWITCH BYPASS
***	748444	1	STD SEAT SWITCH HARNESS
1	220327	1	GROMMET. 1.25 X 1.00 X .125
2	3400227	1	SCREW, 1/4-20 X 1.25 HH ZP
3	710493	2	SCR-MC RND HD 4-40 X .75 ZP
4	711373	1	NUT, FIBER INSERT 1/4-20
5	712348	2	NUT, HEX 4-40 NYLON LOCK, ZP
6	731275	1	COVER, TIMER/CONTROLLER
7	731276	1	SEAL, CONTROLLER
8	748430	1	TIMER
10	748445	1	SWITCH - TWIST LOCK (USED WITH STANDARD SEAT ONLY)
12	748999	1	SEAT SWITCH HARNESS
13	90636234	1	MICRO-SWITCH
14	REFERENCE	1	CONSOLE
15	REFERENCE	1	OPTIONAL SUSPENSION SEAQT
16	REFERENCE	1	STANDARD SEAT
17	REFERENCE	1	SEAT MOUNT

## OPTION - SIDE BROOM GROUP (730032)



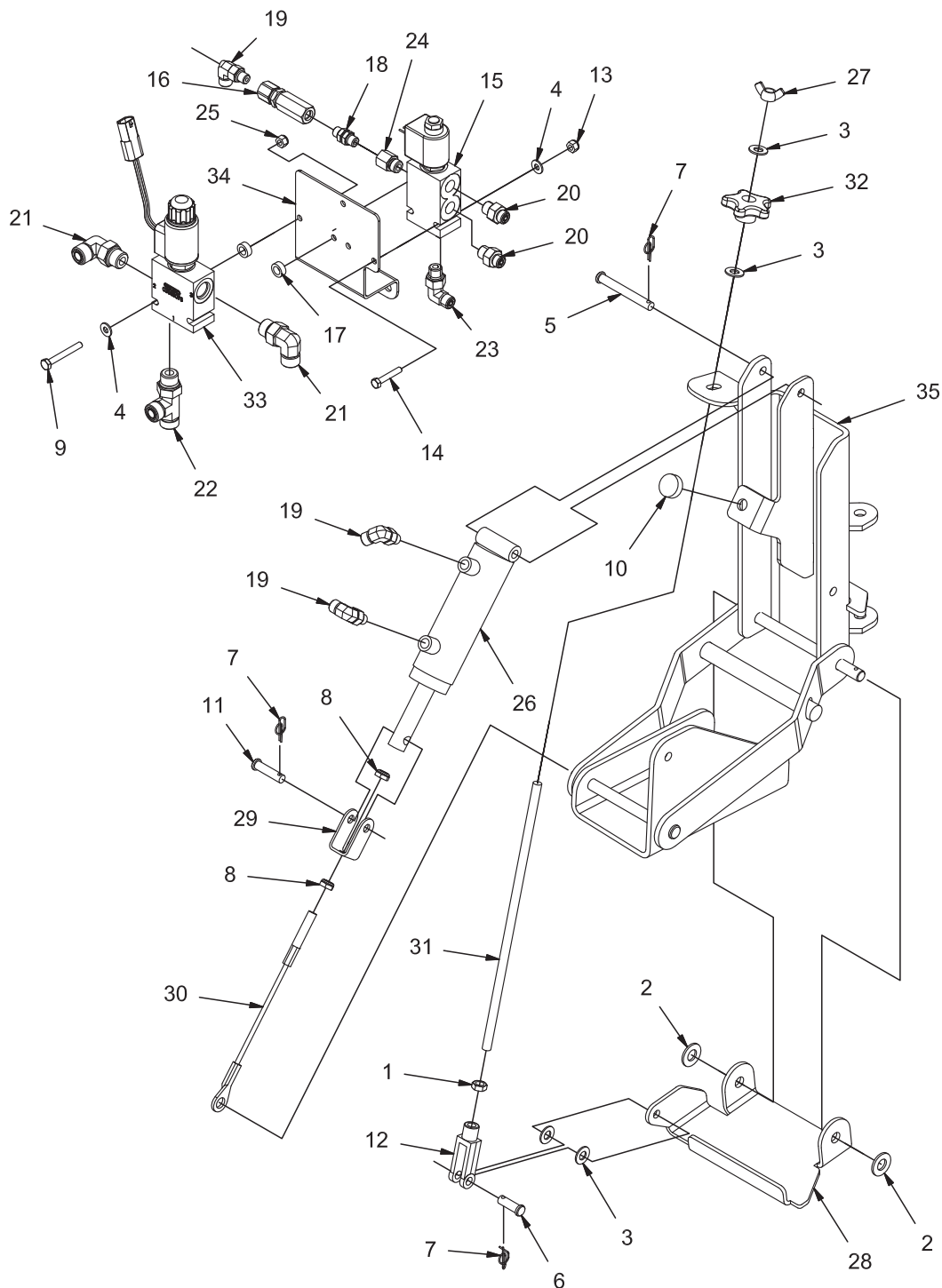
REV \*

**OPTION - SIDE BROOM GROUP (730032)**

<b>Parts List - 730032</b>			
<b>ITEM</b>	<b>PART NO.</b>	<b>QTY</b>	<b>DESCRIPTION</b>
1	12022067	4	NUT, M10-1.50 HEX
2	12040069	2	NUT, M10-1.50 ESN
3	12040259	4	NUT, M8-1.25 ESN SS
4	12310058	4	WASHER, M10
5	3300376	2	STUD, 10MM BALL
6	3400086	5	WASHER, 1/2, 1.063 X .531 X .094
7	711545	2	LOCK WASHER, 5/16 HS MED
8	3400385	4	WASHER, 3/8, BELLEVILLE
9	730878	2	BOLT, M10-1.50 X 30 HH
10	600217	1	MOTOR, 17.9 DISP
11	600303	1	WELDMENT, SB TRAILING ARM
12	600322	1	WELDMENT, SB FLANGE
13	600325	1	SB LINK
14	600327	2	SPACER, .406 B .50 OD .280 T
15	600330	1	STRING GUARD
16	600566	1	PIN, WIRE LOCK, .313
17	600571	2	PIN, CLEVIS 1/2 X 6.00
18	600578	4	RUE-RING, .50
19	600820	4	BOLT, M8-1.25 X 45 HH
20	600962	1	BOLT, M10-1.50 X 40 HH FULL THRO
21	3400166	2	FITTING, REDUCER -10 SAE -8 SAE
22	675606	2	FITTING, LONG ELBOW -8 ORFS -8 SAE
23	713041	4	SCREW, 3/8-16 X .750 HHC
24	730339	4	NUT, M10-1.50 ESN SS
25	730424	1	BOLT, M10-1.50 X 80 HH ALL-THRO
26	730902	1	GAS STRUT, 8.77 EXT, 3.00 STK, 200N
27	730904	2	NUT, 5/16-18 HEX JAM SS
28	730958	4	BOLT, M10-1.50 X 25 HH SS
29	731274	1	BROOM, SIDE, 20"
30	731278	1	MOUNT, SB MOTOR
31	731279	1	MOUNT, SB PIVOT
32	731280	1	MOUNT, SB GAS STRUT
33	731285	1	WELDMENT, SB PIVOT
34	731290	1	PIN, RETAINING
35	REFERENCE	1	SB CABLE
36	REFERENCE	1	FRAME
37	REFERENCE	1	FRAME

**GROUP (730037) - OPTION SIDE BROOM, INCLUDES SUB-GROUPS:  
730032, 730033, 730034, 730028, 730029**

## OPTION - SIDE BROOM LIFT AND ADJUSTMENT GROUP (730033)



REV E

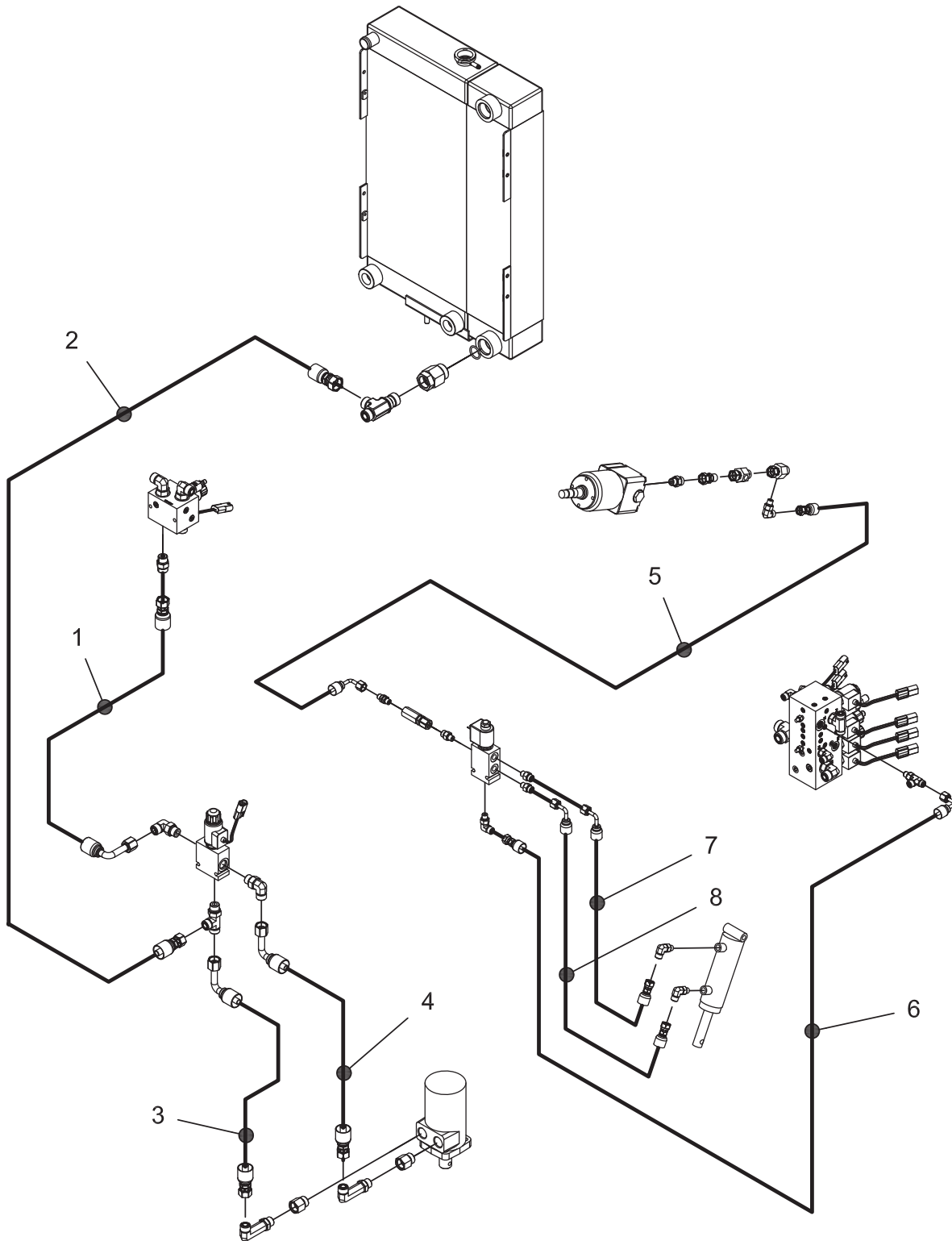


**OPTION - SIDE BROOM LIFT AND ADJUSTMENT GROUP (730033)**

Parts List -			
ITEM	PART NO.	QTY	DESCRIPTION
1	3400075	1	NUT-JAM 3/8-24 ZP
2	3400086	6	WASHER-FLAT 1/2 ZP
3	712301	4	WASHER-FLAT 3/8 ZP
4	711505	4	WASHER-FLAT 1/4 ZP
5	3400115	1	PIN-CLEVIS 3/8 X 3.00 ZP
6	3400117	1	PIN-CLEVIS 3/8 x 1.125 ZP
7	3400125	3	RING-RUE 3/8
8	711375	2	NUT-JAM 3/8-16 ZP NYLOC
9	3401063	2	SCR-HH 1/4-20 X 2.00 SS
10	600117	1	BUMPER, 1.0 OD, .50 GROMMET, RUBBER
11	600573	1	PIN-CLEVIS 3/8 X 1.50 ZP
12	600813	1	CLEVIS 3/8-24
13	600933	2	NUT-NYLOC M6-1.00 SS
14	600952	2	SCR-HH M6-1.00 X 35 SS
15	620005-1	1	ASSY, SOLENOID - 2 POS 4 WAY CROSSOVER
16	620008	1	CHECK VALVE
17	620009	2	SPACER .391 B .630 OD .250 T
18	620110	1	FTG-ORFS STR THD -4 -4 HIGH PRESS
19	675507	3	FTG-ORFS 90 ELBOW -4 -4 SAE
20	675511	2	FTG-ORFS STR THD -4 -6 SAE
21	675523	2	FTG-ORFS 90 ELBOW -8 -8 SAE
22	675525	1	FTG-ORFS TEE -8 -8 -8 SAE
23	675546	1	FTG-ORFS 90 ELBOW -4 -6 SAE
24	675745	1	FTG - PORT ADAPTER -6 ORMS -4 ORFS
25	712667	2	NUT-NYLOC 1/4-20 SS
26	730548	1	CYLINDER-1.5 BORE X 2.88 STROKE
27	731277	1	NUT-WING 3/8-24 NYLON
28	731281	1	CHANNEL, SB ADJUSTMENT
29	731282	1	CLEVIS, CABLE
30	731283	1	SB CABLE
31	731284	1	ROD, SB ADJUSTMENT
32	731291	1	KNOB, 3/8-24
33	731292	1	ASSEMBLY, SOLENOID VALVE 2-POS 3-WAY
34	770486	1	MOUNT, SOLENOID
35	REFERENCE	1	PIVOT ASSEMBLY

**GROUP (730037) - OPTION SIDE BROOM, INCLUDES SUB-GROUPS:  
730032, 730033, 730034, 730028, 730029**

## OPTION - SIDE BROOM HYDRAULIC HOSE GROUP (730034)



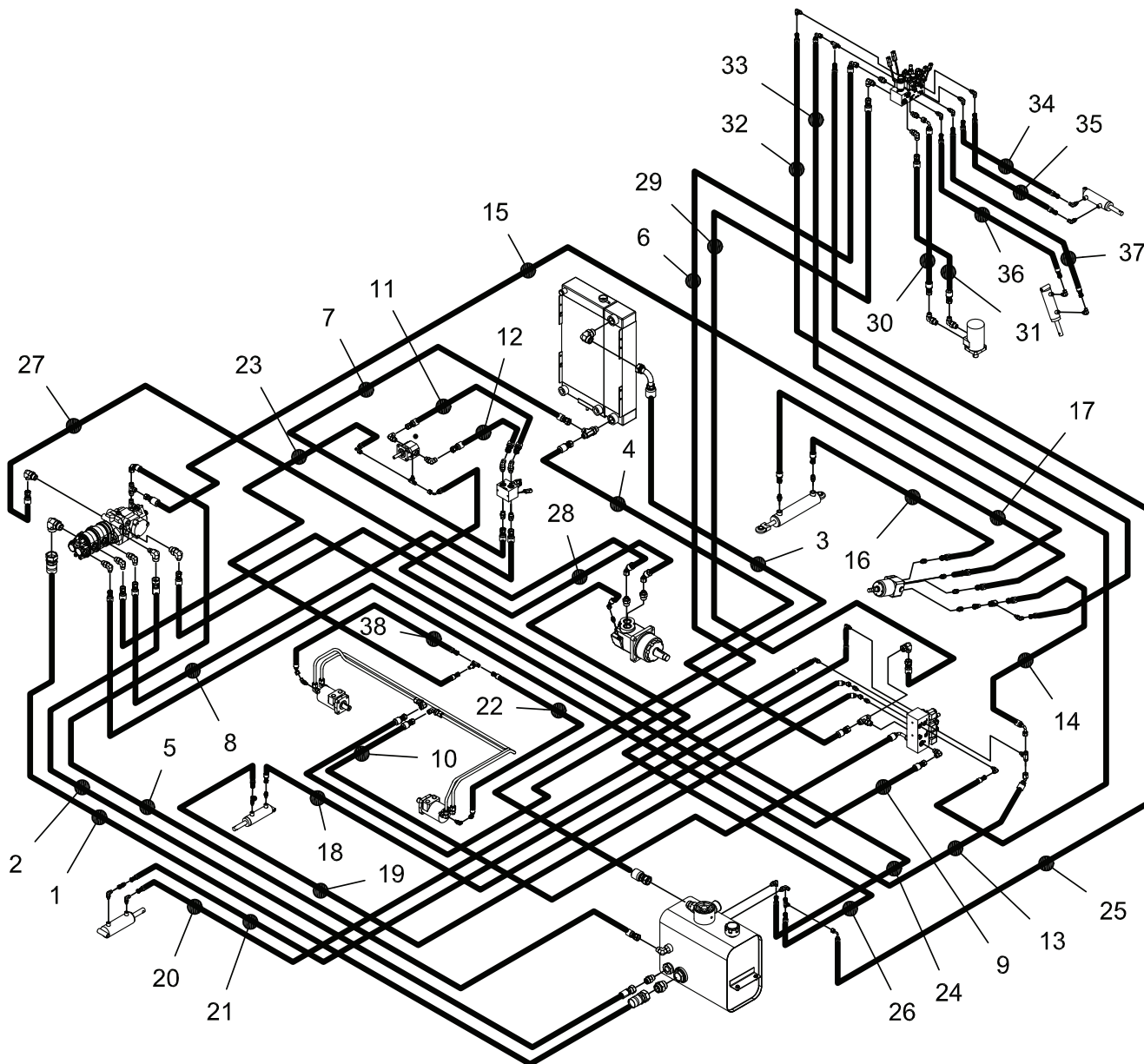
REV B

**OPTION - SIDE BROOM HYDRAULIC HOSE GROUP (730034)**

<b>Parts List - 730034</b>			
<b>ITEM</b>	<b>PART NO.</b>	<b>QTY</b>	<b>DESCRIPTION</b>
1	731500	1	HOSE,8 STR-8.90 MED (IMP SOL T TO SB MOT
2	731057	1	HOSE,8 STR-10 STR MED (IMP SOL T TO COOL
3	675470	2	HOSE CHRG T (STR) TO HOP OUT (90)
4	675470	1	HOSE CHRG T (STR) TO HOP OUT (90)
5	731084	1	HOSE,4 STR-4 STR MED (STR TEE TO SSB VAL
6	731075	1	HOSE,4 STR-4 90 MED (VALVE T1 TO RES)
7	731085	2	HOSE,4 STR-4 90 MED (VALVE T1 TO SSB VAL
8	731085	2	HOSE,4 STR-4 90 MED (VALVE T1 TO SSB VAL

**GROUP (730037) - OPTION SIDE BROOM, INCLUDES SUB-GROUPS:  
730032, 730033, 730034, 730028, 730029**

## OPTION - SIDE BRUSH HYDRAULIC HOSE ROUTING (730038)

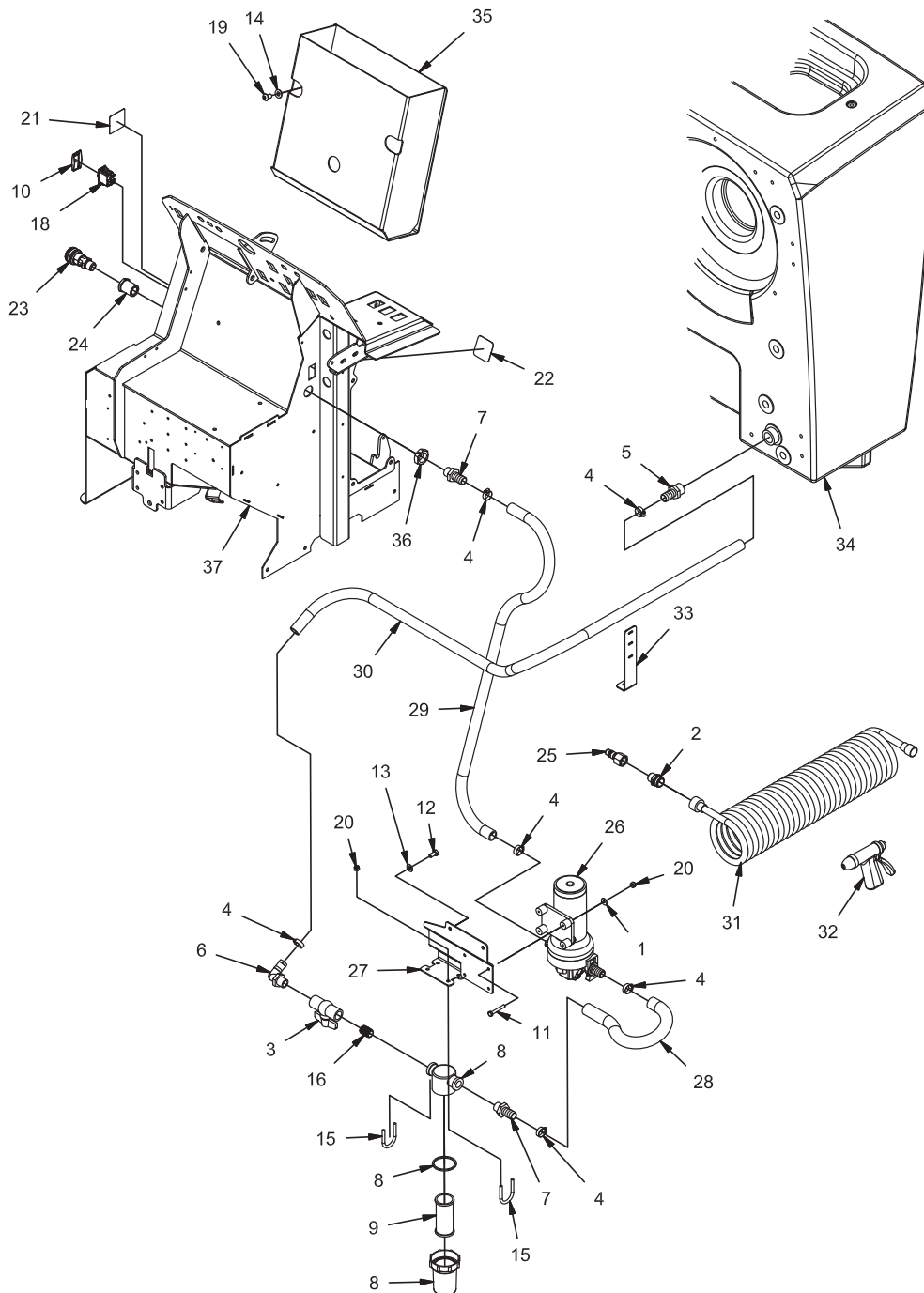


REV B

**OPTION - SIDE BRUSH HYDRAULIC HOSE ROUTING (730038)**

Parts List - 730038			
ITEM	PART NO.	QTY	DESCRIPTION
1	731051	1	HOSE, 20 STR - 20 STR sue (RES TO AUX PUMP IN)
2	731052	1	HOSE, 12 STR - 12 STR sue (RES TO VDP CASE)
3	731053	1	HOSE, 16 STR - 16 90 RET (COOLER UPPER TO RES)
4	731054	1	HOSE, 10 STR - 10 STR RET (VALVE T2 TO COOLER)
5	731055	1	HOSE, 10 STR - 8 90 RET (VDP CASE TO RES)
6	731079	1	HOSE, 8 STR - 8 90 MED (LH MB TO SSB VALVE P2)
7	731057	1	HOSE, 8 STR - 10 STR MED (IMP SOL T TO COOLER)
8	731058	1	HOSE, 8 STR - 8 STR MED (AUX PUMP 1 TO IMP SOL P)
9	731059	1	HOSE, 8 STR - 8 STR MED (AUX PUMP 2 TO VALVE P2)
10	731060	1	HOSE, 8 STR - 8 90 MED (VALVE MB OUT TO MB RIGHT)
11	731061	1	HOSE, 8 STR - 8 90 MED (IMP SOL VF OUT TO IMP LEFT)
12	731062	1	HOSE, 8 STR - 8 90 MED (IMP RIGHT TO IMP SOL VF IN)
13	731063	1	HOSE, 6 STR - 6 90 MED (AUX PUMP 3 TO VALVE P1)
14	731064	1	HOSE, 6 STR - 6 90 MED (VALVE P1 TO STR PRESS)
15	731065	1	HOSE, 6 STR - 8 STR RET ( STR TANK TO VDP CASE)
16	731066	1	HOSE, 6 STR - 6 STR MED (STR LEFT TO CYL F)
17	731067	1	HOSE, 6 STR - 6 STR MED ( STR RIGHT TO CYL R)
18	731068	1	HOSE, 4 STR - 4 45 MED (VALVE BL A TO SH CYL F)
19	731069	1	HOSE, 4 STR - 4 45 MED (VALVE BL A TO SH CYL R)
20	731070	1	HOSE, 4 STR - 4 STR MED (VALVE SG B TO SQU CYL F)
21	731071	1	HOSE, 4 STR - 4 STR MED (VALVE SG A TO SQU CYL R)
22	731072	1	HOSE, 4 STR - 4 45 MED (RH MB CASE TO SCRUB HEAD TEE)
23	731073	1	HOSE, 4 STR - 4 90 MED (SCRUB HD TO IMP CASE)
24	731074	1	HOSE, 4 STR - 4 90 MED (IMP CASE TO RES)
25	731075	1	HOSE, 4 STR - 4 90 MED (SSB VALVE T1 TO RES)
26	731076	1	HOSE, 4 STR - 4 45 MED (WHEEL DRIVE CASE TO RES)
27	731077	1	HOSE, 8 STR - 8 45 SPCL (VDP L TO WHEEL DRIVE R)
28	731078	1	HOSE, 8 STR - 8 45 SPCL (VDP R TO WHEEL DRIVE F)
29	731081	1	HOSE, 10 STR - 8 45 MED (VALVE T2 TO SSB VALVE T2)
30	731082	1	HOSE, 8 STR - 8 90 MED (SSB VALVE SB OUT TO SB R)
31	731083	1	HOSE, 8-STR - 8 STR MED (SSB VALVE SB IN TO SB F)
32	731084	1	HOSE, 4-STR - 4 STR MED (STR TEE TO SSB VALVE P1)
33	731085	1	HOSE, 4 STR - 4 90 MED (VALVE T1 TO SSB VALVE T1)
34	731089	1	HOSE, 4 STR - 4 STR MED (SSB VALVE SBE A TO EXT CYL L)
35	731087	1	HOSE, 4 STR - 4 STR MED (SSB VALVE SBE B TO EXT CYL R)
36	731088	1	HOSE, 4 STR - 4 STR MED (SSB VALVE SBL A TO LIFT CYL U)
37	731089	1	HOSE, 4 STR - 4 STR MED (SSB VALVE SBL B TO LIFT CYL L)
38	731168	1	HOSE, 4 STR - 4 45 MED (LH MB CASE TO SCRUB HEAD TEE)

## OPTION - SPRAY AND WASH GROUP (730040)

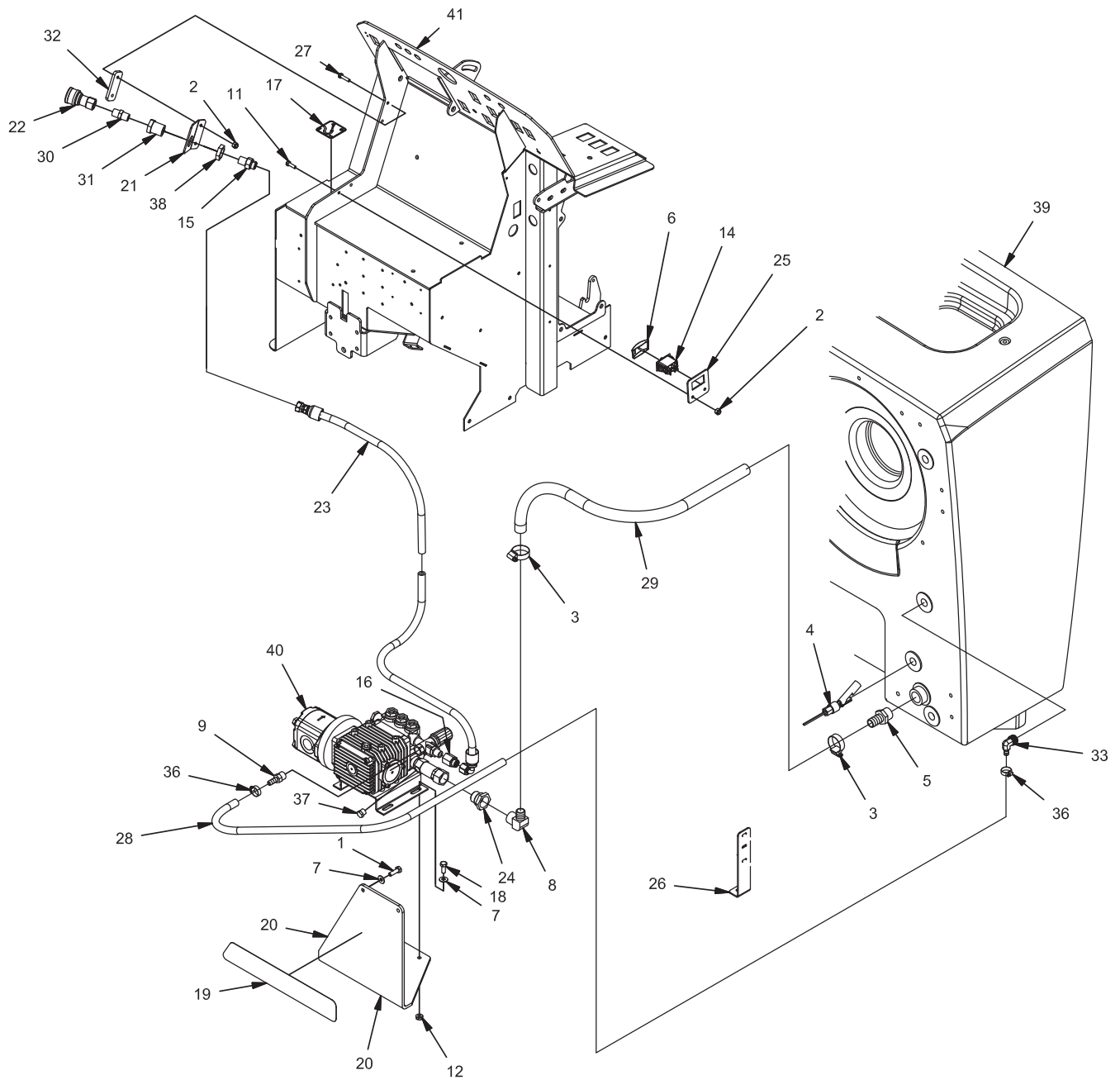


REV F

**OPTION - SPRAY AND WASH GROUP (730040)**

<b>Parts List - 730040</b>			
<b>ITEM</b>	<b>PART NO.</b>	<b>QTY</b>	<b>DESCRIPTION</b>
1	12332011	4	WASHER-FLAT M6.4 X 18 X 1.6 ZP
2	281426	1	COUPLING-3/4" HOSE X 1/2" MPT
3	320997	1	BALL VALVE, 1/2" FPT PVC/EPDM
4	3300535	6	CLAMP - SCREW .5" to 1.25" DIA 201SS
5	3303388	1	FTG-ADAPTER 3/4 MPT TO 3/4 HB
6	3315536	1	FTG-ELBOW 90 1/2 MPT X 3/4 HB PP
7	3320728	2	FTG-1/2 MPT - 3/4 HB
8	3323501	1	FILTER-B50 MESH INLINE
9	3332264	1	FILTER ELEMENT - SERVICE
10	3342273	1	COVER-SWITCH, CARLING, BLACK W/LENS
11	3400173	4	SCR-HH 1/4-20 X 1.75 ZP GR 5 PART THRD
12	3400291	2	SCR-HH M8-1.25 X 16 ZP CLASS 8.8
13	3400384	2	WASHER-CONICAL SPRING 5/16
14	3400385	3	WASHER-CONICAL SPRING 3/8
15	3401981	2	BLT-U 1/4-20 X3/4 ZP
16	383465	1	FTG-NIPPLE 1/2 MPT X 1-1/8 LG BRASS
18	620137	1	SWITCH BASE, ROCKER WITH GREEN LAMP
19	710985	3	SCR-BHSCS 3/8-16 X .625 ZP
20	712667	8	NUT-NYLOC 1/4-20 SS
21	715969	1	DECAL, WASH SYSTEM
22	715970	1	DECAL, WASH SWITCH
23	731043	1	FTG-QUICK DISCONNECT 1/2
24	731044	1	FTG- BULKHEAD 1/2 NPT
25	731048	1	FTG-QUICK DISCONNECT NIPPLE 1/2 FPT
26	731365-1	1	PUMP ASSY, SOLUTION
27	731367	1	BRACKET, PUMP MNT
28	731371	1	TUBING, .75 ID X 1.25' WIRE RE HOSE
29	731372	1	TUBING, .75 ID X 3.5' VINYL
30	731379	1	TUBING, .75 ID X 7' VINYL
31	731383	1	HOSE - COIL .38 X 50 FT
32	731384	1	NOZZLE - SPRAY
33	731460	1	BRACKET, CLAMP
34	731463	1	TUBING, 3/4 ID X 28.00 REINF. SILICON
35	731615	1	WELDMENT, HOSE CARRIER
36	PART OF 731044	1	NUT
37	REFERENCE	1	CONSOLE

## OPTION - PRESSURE WASHER PUMP GROUP (730041-1)



REV H

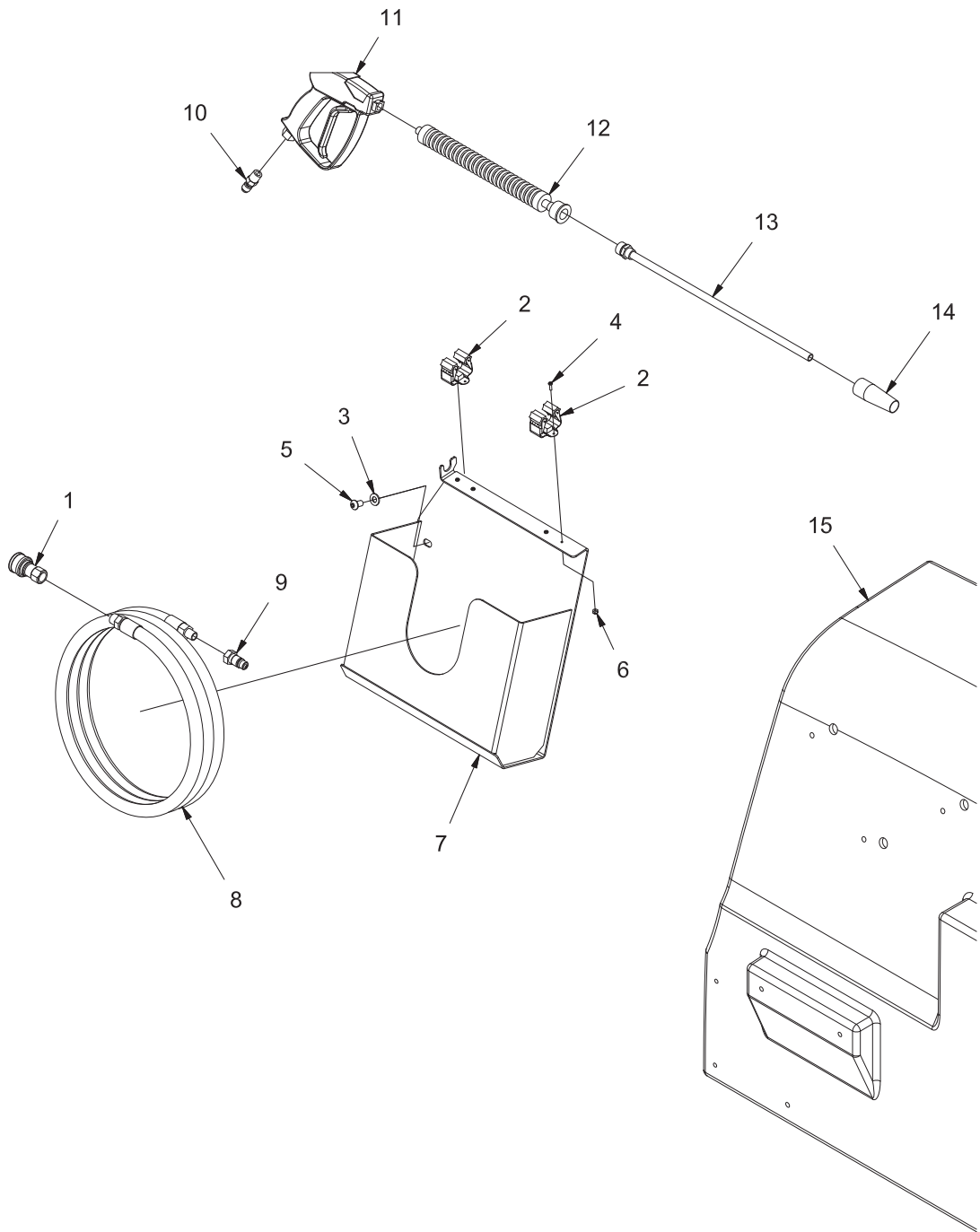


**OPTION - PRESSURE WASHER PUMP GROUP (730041-1)**

Parts List - 730041-1			
ITEM	PART NO.	QTY	DESCRIPTION
1	11039567	2	SCR-HH M8-1.25 X 25 SS
2	600933	4	NUT-NYLOC M6-1.00 SS
3	3302193	2	CLAMP - SCREW .69" to 1.5" DIA 201SS
4	3302737-1	1	WIRE ASSY, SWITCH-LEVEL LS7
5	3303388	1	FTG-ADAPTER 3/4 MPT TO 3/4 HB
6	3342273	1	COVER-SWITCH, CARLING, BLACK W/LENS
7	3400384	6	WASHER-CONICAL SPRING 5/16
8	3400959	1	FTG-ELBOW 90 3/4 MPT X 3/4 HB BRASS
9	342430	1	FTG-ADAPTER 3/8 MPT X 3/8 HB BRASS
10	3500118	1	EDGING-VINYL TRIM 1/8" X 250'
11	600913	2	SCR-HH M6-1.00 X 20 SS
12	600934	4	NUT-FLANGE WIZZ M8-1.25 ZP
14	620137	1	SWITCH BASE, ROCKER WITH GREEN LAMP
15	675634	1	FTG-ORFS STR THD -6 MPT -6 ORFS SS
16	675635	1	FTG-ORFS STR THD -6 -60 FPT
17	715970	1	DECAL, WASH SWITCH
18	717030	4	SCR-HH M8-1.25 X 20 SS
19	3335609	1	PAD, STEP
20	731422	1	MOUNT, PRESSURE WASHER
21	731436	1	MOUNT, QUICK DISCONNECT
22	731441	1	FTG-QUICK DISCONNECT 3/8 FPT SS
23	731454	1	HOSE, 6 STR - 6 90 MED SS ENDS
24	731455	1	FTG-GARDEN ADAPTER 3/4 GH X 3/4 FPT BRAS
25	731459	1	BRACKET, SWITCH
26	731460	1	BRACKET, CLAMP
27	731555	2	SCR-HH M6-1.00 X 25 SS
28	731601	1	TUBING, .375" ID X 5.75 FT REINFORCED VI
29	731606	1	TUBING, .75" ID X 5.75 FT REINFORCED VIN
30	731618	1	FTG-HEX NIPPLE, 3/8 NPT, SS
31	731619	1	FTG-3/8 ANCHOR COUPLING W/NUT
32	731651	1	PLT, SPACER
33	731991	1	FTG-ELBOW 90 1/2 MPT X 3/8 HB BRASS
35	748735	1	HARNESS ASSY, PRESSURE WASHER
36	829129	2	CLAMP - SCREW .313" to .875" DIA 301SS
37	829619	1	PLUG-HEX HEAD PIPE 1/4 B
38	PART OF 731619	1	NUT
39	REFERENCE	1	TANK, SOLUTION
40	REFERENCE	1	PRESSURE WASHER
41	REFERENCE	1	CONSOLE

\*\*ORDER 731486 CHECK VALVE REPLACEMENT KIT FOR 731421 PRESSURE WASHER ASSEMBLY

## OPTION - PRESSURE WASHER HOSE AND WAND GROUP (730041-2)

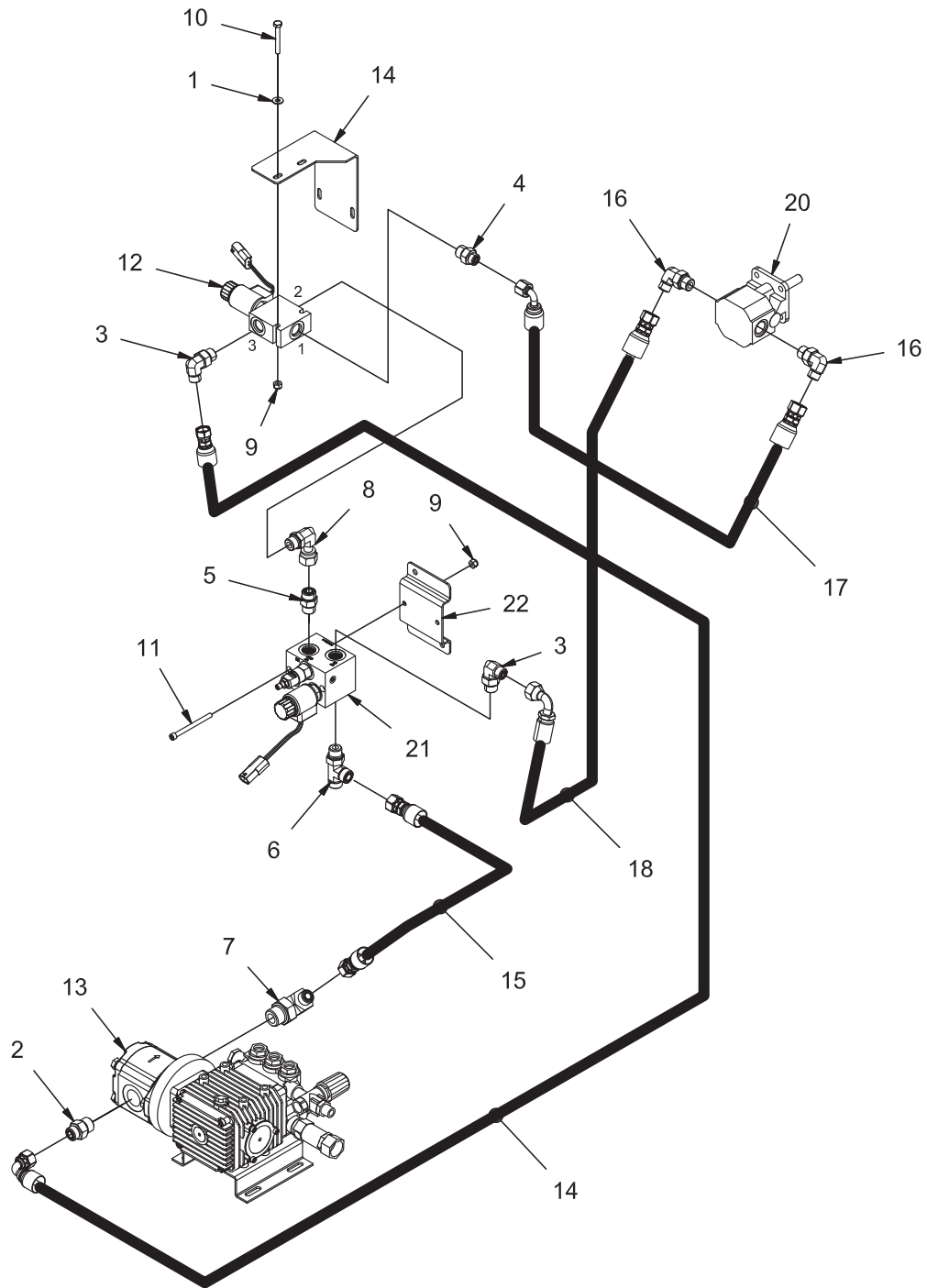


REV B

**OPTION - PRESSURE WASHER HOSE AND WAND GROUP (730041-2)**

<b>Parts List - 730041-2</b>			
<b>ITEM</b>	<b>PART NO.</b>	<b>QTY</b>	<b>DESCRIPTION</b>
1	731441	1	QUICK DISCONNECT, COUPLER (PART OF KIT 731457)
2	00560010	2	CLAMP
3	3400385	3	WASHER-CONICAL SPRING 3/8
4	710204	4	SCR-PHMS 6-32 X .50 ZP
5	710985	3	SCR-BHSCS 3/8-16 X .625 ZP
6	711371	4	NUT-NYLOC 6-32 ZP
7	731437	1	WELDMENT, HOSE BOX
8	731440	1	HOSE, PRESSURE WASHER 50 FT (PART OF KIT 731457)
9	731442	1	FTG-QUICK DISCONNECT NIPPLE 3/8 FPT
10	731443	1	QUICK DISCONNECT, PLUG, 6MPT
11	731444	1	TRIGGER GUN
12	731445	1	INSULATED LANCE
13	731446	1	LANCE
14	731447	1	TIP, ADJUSTABLE
15	REFERENCE	1	SOLUTION TANK

## OPTION - PRESSURE WASHER HYDRAULIC HOSE GROUP (730041-3)

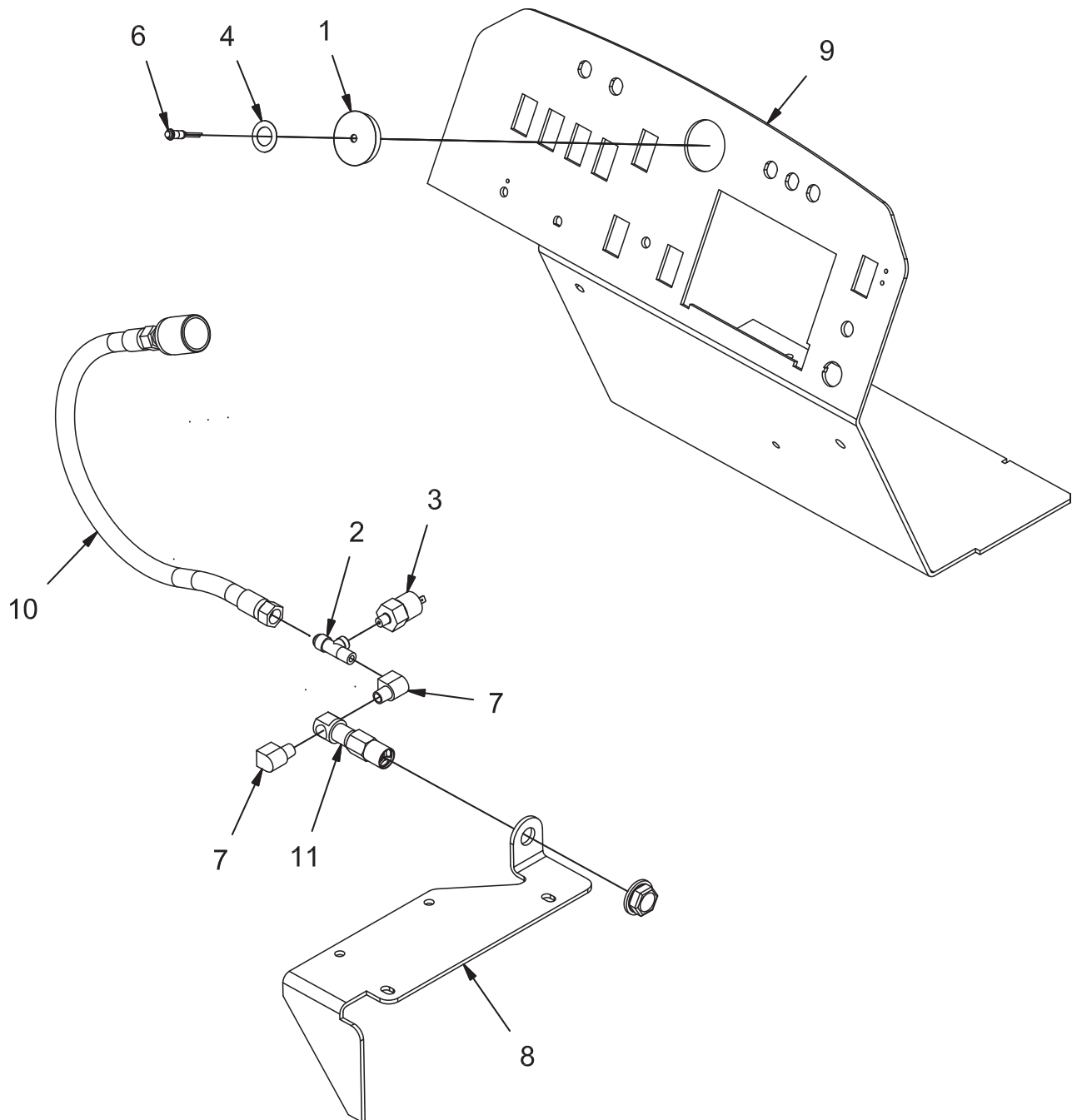


REV C

**OPTION - PRESSURE WASHER HYDRAULIC HOSE GROUP (730041-3))**

<b>Parts List - 730041-3</b>			
<b>ITEM</b>	<b>PART NO.</b>	<b>QTY</b>	<b>DESCRIPTION</b>
1	711505	2	WASHER, 1/4 .625 X .281 X .063
2	3400689	1	FTG, STR THD CONNECTOR -8 ORFS TO -10 SAE
3	675520	1	FITTING, ELBOW, 6 ORFS - 8 O-RING
4	675521	1	FITTING, STR, -6 ORFS - 8 SAE
5	675524	1	FITTING, STR, -8 ORFS - 8 SAE
6	675525	1	FITTING, RUN TEE, -8 ORFS - 8 ORFS - 8 SAE
7	675537	1	FITTING, 90, -8 ORFS - 12 SAE
8	675628	1	FTG - STR THD SWIVEL ELBOW, -8 ORFS TO -8 SAE
9	711373	4	NUT, FIBER INSERT 1/4-20
10	712567	2	SCREW, 1/4-20 X 2.00 HH SS
11	730965	2	BOLT, 1/4-20 X 3.00 SOC HD CAP
12	731292	1	ASSEMBLY, SOLENOID VALVE 2-POS 3-WAY
12A	731298	1	CARTRIDGE VALVE-SERVICE PART
12B	731299	1	BLOCK, SOLENOID - SERVICE PART
12C	731300	1	COIL, 12 VDC - SERVICE PART
13A	731414		MOTOR, PRESSURE WASHER
13B	731421	1	PUMP, PRESSURE WASHER
13C	731413		MOTOR/PUMP, PRESSURE WASHER SUB
14	731431	1	BRACKET, SOLENOID MOUNT
15	731452	1	HOSE, 6 STR - 8 90 MED
16	731453	1	HOSE, 6 STR - 8 STR RET
17	REFERENCE	1	FITTING, -6ORFS TO -8 SAE
18	REFERENCE	1	HOSE 731061-1 (IMP LEFT TO SOL 1)
19	REFERENCE	1	HOSE 731062-1 (IMP RIGHT TO IMP SOL VF IN)
20	REFERENCE	1	IMPELLER MOTOR
21	REFERENCE	1	IMPELLER MANIFOLD
22	REFERENCE	1	MANIFOLD BRACKET

## OPTION - LOW LP INDICATOR GROUP (730042)

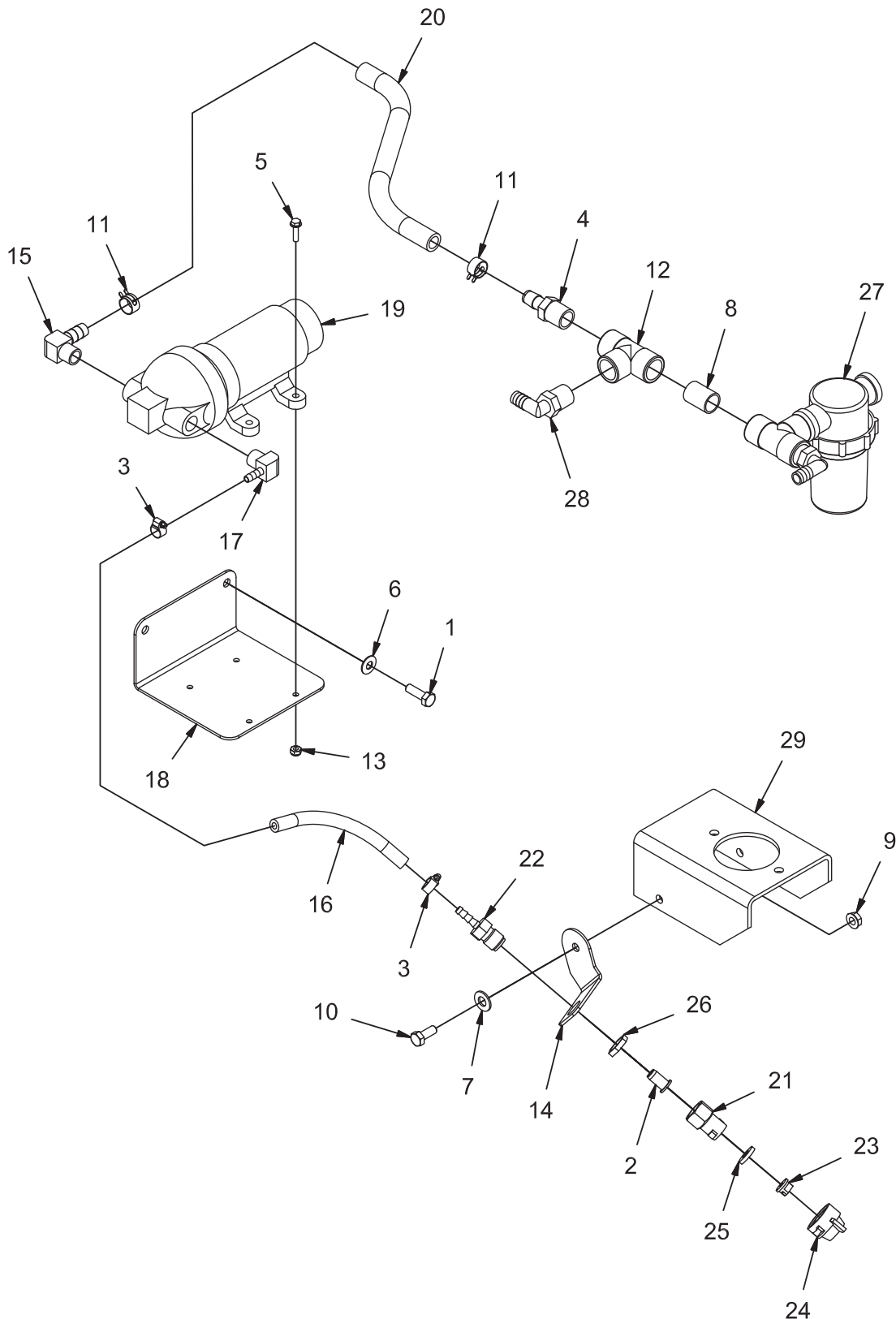


REV D

**OPTION - LOW LP INDICATOR GROUP (730042)**

<b>Parts List - 730042</b>			
<b>ITEM</b>	<b>PART NO.</b>	<b>QTY</b>	<b>DESCRIPTION</b>
1	3301822-1	1	PLUG, PLASTIC, 2.00 DIA WITH MTG HOLE
2	3305535-2	1	TEE, LOW LP INDICATOR
3	3305535-3	1	SENSOR, LOW LP INDICATOR
4	3305535-4	1	LABEL, LOW LP INDICATOR
5	748770	1	HARNESS ASSY, LOW LP INDICATOR
6	748960	1	LIGHT ASSY, INDICATOR LAMP, LOW LP
7	831306	2	FTG-ELBOW 90 ST 1/4 MPT X 1/4 FPT BRASS
8	REFERENCE	1	FRAME WITH PRESSURE RELIEF VALVE
9	REFERENCE	1	INSTRUMENT PANEL
10	REFERENCE	1	LP TANK HOSE
11	REFERENCE	1	RELIEF VALVE MOUNT

## OPTION - SIDE BROOM WATER MIST GROUP (730043)



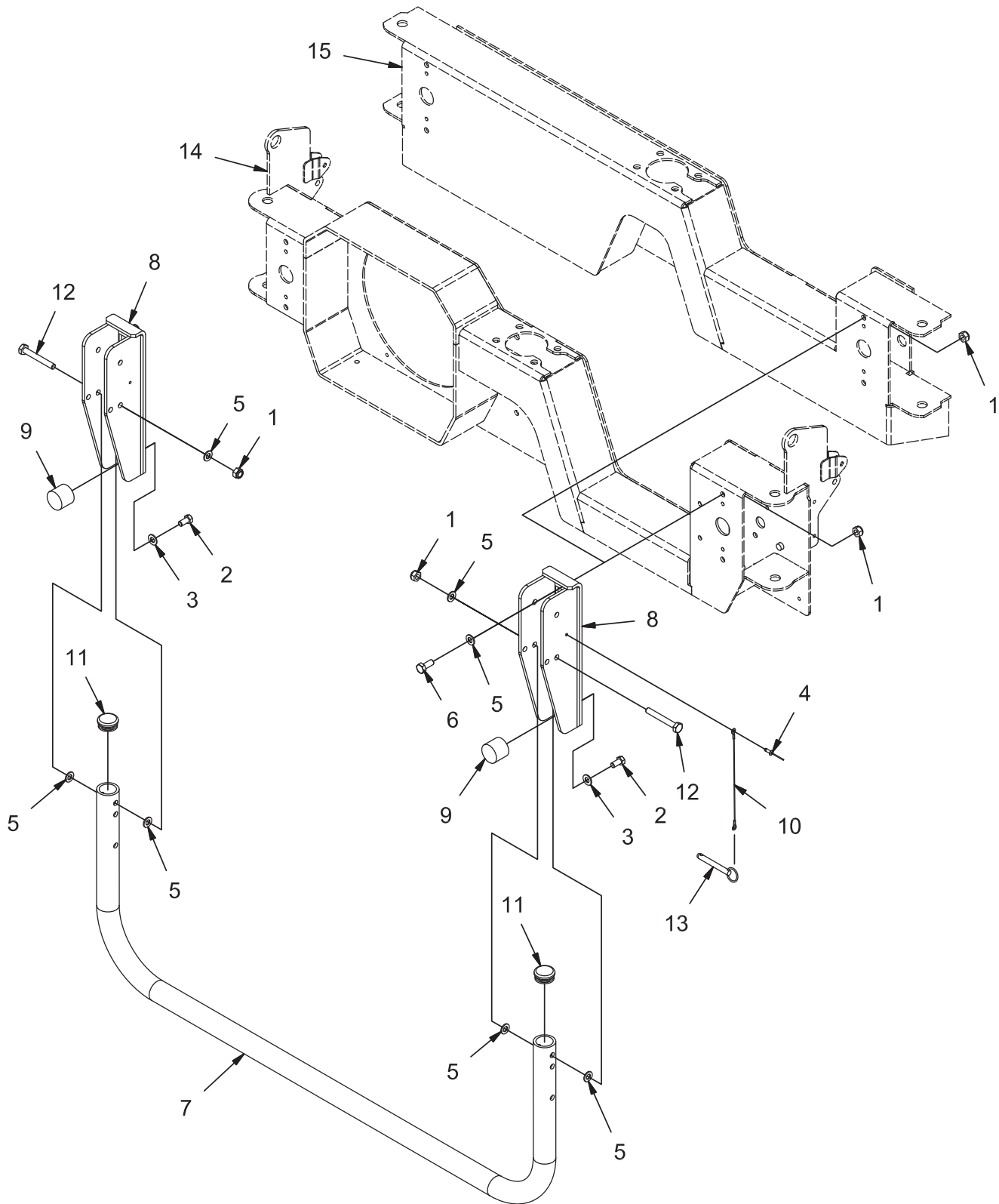
REV B



**OPTION - SIDE BROOM WATER MIST GROUP (730043)**

<b>Parts List - 730043</b>			
<b>ITEM</b>	<b>PART NO.</b>	<b>QTY</b>	<b>DESCRIPTION</b>
1	11039567	2	SCR-HH M8-1.25 X 25 SS
2	281041	1	VALVE-CHECK
3	3302338	2	CLAMP-HOSE .22 TO .62
4	3315534	1	FTG-ADAPTER 1/2 MPT X 1/2 HB PP
5	3400044	4	SCR-HH 10-32 X .75 ZP SERR FLANGE
6	3400384	2	WASHER-CONICAL SPRING 5/16
7	3400385	1	WASHER-CONICAL SPRING 3/8
8	383465	1	FTG-NIPPLE 1/2 MPT X 1-1/8 LG BRASS
9	600934	1	NUT-FLANGE WIZZ M8-1.25 ZP
10	717030	1	SCR-HH M8-1.25 X 20 SS
11	730962	2	CLAMP, WIRE HOSE
12	730966	1	FTG-TEE FEMALE 1/2 NPT X 1/2 X 1/2 PVC
13	731242	4	NUT-NYLOC 10-32 18-8 SS
14	731538	1	MOUNT, NOZZLE
15	731558	1	FTG, ELBOW, 3/8 NPT TO 1/2 BARB, BRASS
16	770669	1	TUBING, .25 ID, 16"
17	731603	1	FTG, ELBOW, 3/8 NPT TO 1/4 BARB, BRASS
18	770648	1	BRACKET, PUMP MNT
19	770653	1	PUMP, SOLUTION, 2 GPM, 12 VDC
20	770662	1	TUBING, 1/2 ID REINFORCED VINYL
21	770666	1	ADAPTER, SPRAY
22	770667	1	FITTING, SPECIAL
23	770668	1	SPRAY TIP - 11001
24	833141	1	CAP
25	833142	1	GASKET-CAP
26	PART OF 770667	1	NUT
27	REFERENCE	1	EXISTING COMPONENTS
28	REFERENCE	1	EXISTING COMPONENTS
29	REFERENCE	1	FRAME

## OPTION - REAR SQUEEGEE GUARD (730048)



REV B

**OPTION - REAR SQUEEGEE GUARD (730048)**

<b>Parts List - 730048</b>			
<b>ITEM</b>	<b>PART NO.</b>	<b>QTY</b>	<b>DESCRIPTION</b>
1	12040069	6	NUT-NYLOC M10 X 1.5 ZD CLASS 6
2	3400335	2	SCR-HH 3/8-16 X .75 SS
3	3400385	2	WASHER, 3/8, BELLEVILLE
4	3400484	1	RIVET, MULTI-GRIP
5	730344	10	WASHER, M10 SS
6	730958	4	BOLT, M10-1.50 X 25 HH SS
7	731488	1	TUBE, GUARD
8	731491	2	WELDMENT, GUARD MOUNT
9	731492	2	BUMPER, URETHANE
10	731501	1	LANYARD
11	731502	2	PLUG, HOLE, 1.25
12	731462	2	SCR-HH, M10-1.50 X .75 HH P CLASS 8.8
13	731493	1	PIN, CLEVIS, .375, BALL DETENT
14	REFERENCE	1	REAR BUMPER - HAND DUMP
15	REFERENCE	1	REAR BUMPER - HIGH DUMP

**OPTION - PVC FREE COMPONENTS (730049)**

LOWER SQUEEGEE HOSE 730985-1 TO BE USED IN  
PLACE OF 730985 IN SQUEEGEE GROUP 730118

UPPER SQUEEGEE HOSE 730984-1 TO BE USED IN  
PLACE OF 730984 IN RECOVERY TANK GROUP 730122

RECOVERY TANK DRAIN HOSE 731533-1 TO BE USED IN  
PLACE OF 731533 IN RECOVERY TANK DRAIN GROUP 730179

SOLUTION TANK DRAIN HOSE 730987-1 TO BE USED IN  
PLACE OF 730987 IN SOLUTION TANK GROUP 730121

HOSE 730970-1 TO BE USED IN PLACE OF  
730970 IN SOLUTION CONTROL GROUP 730123

HOSE 730971-1 TO BE USED IN PLACE OF  
730971 IN SOLUTION CONTROL GROUP 730123

HOSE 730972-1 TO BE USED IN PLACE OF  
730972 IN SOLUTION CONTROL GROUP 730123

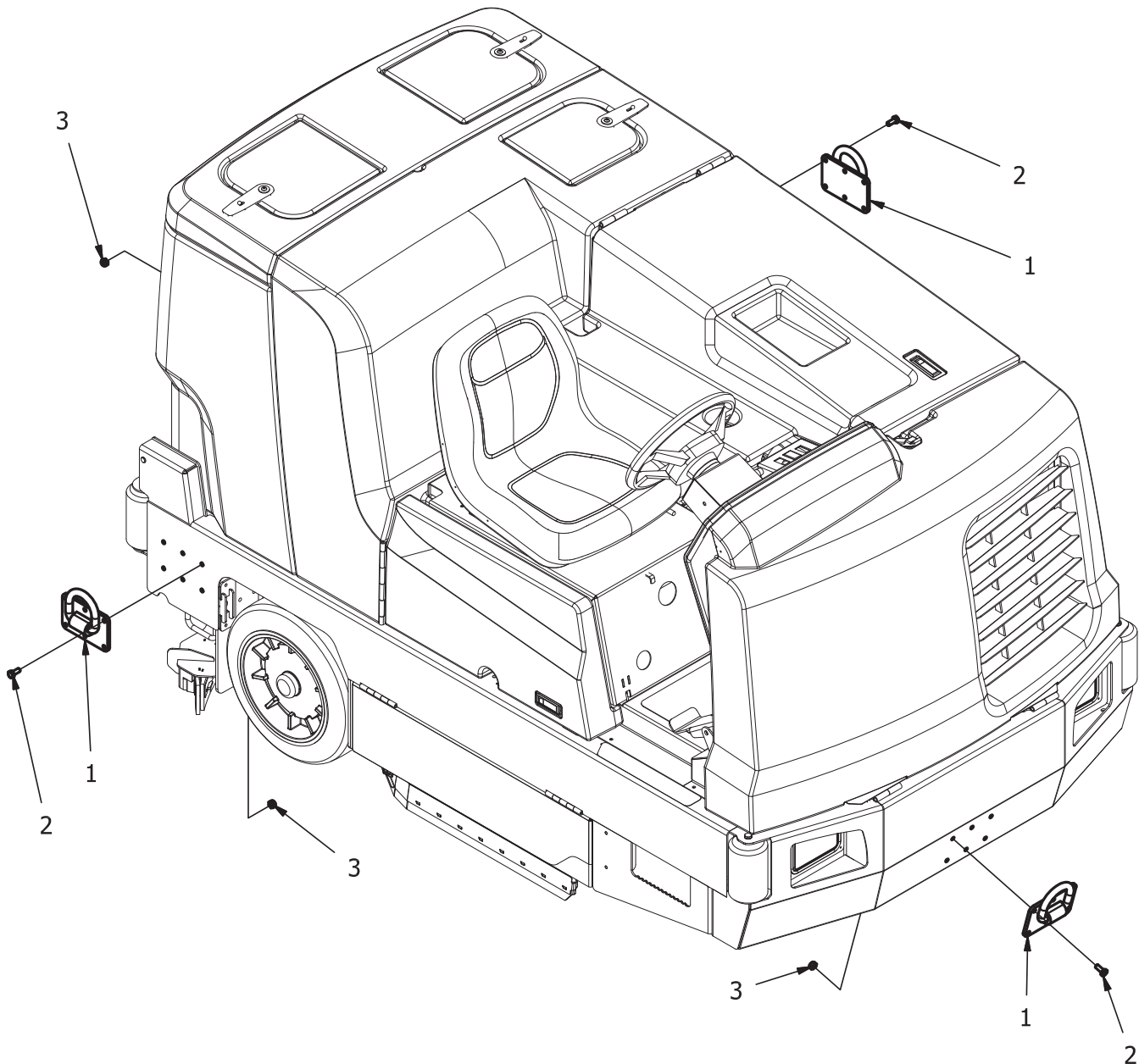
HOSE 730973-1 TO BE USED IN PLACE OF  
730973 IN SOLUTION CONTROL GROUP 730123

STAINLESS STEEL SOLUTION DELIVERY BAR 731523 TO BE USED IN  
PLACE OF 731389 IN SOLUTION CONTROL GROUP 730117

PLUG BOTH ENDS OF SOLUTION DELIVERY BAR 731523 WITH  
PLUG 3400194 (BRASS 3/8 NPT PIPE PLUG - 2 REQUIRED)

**REV A**

**OPTION - TIE DOWNS (730026)**

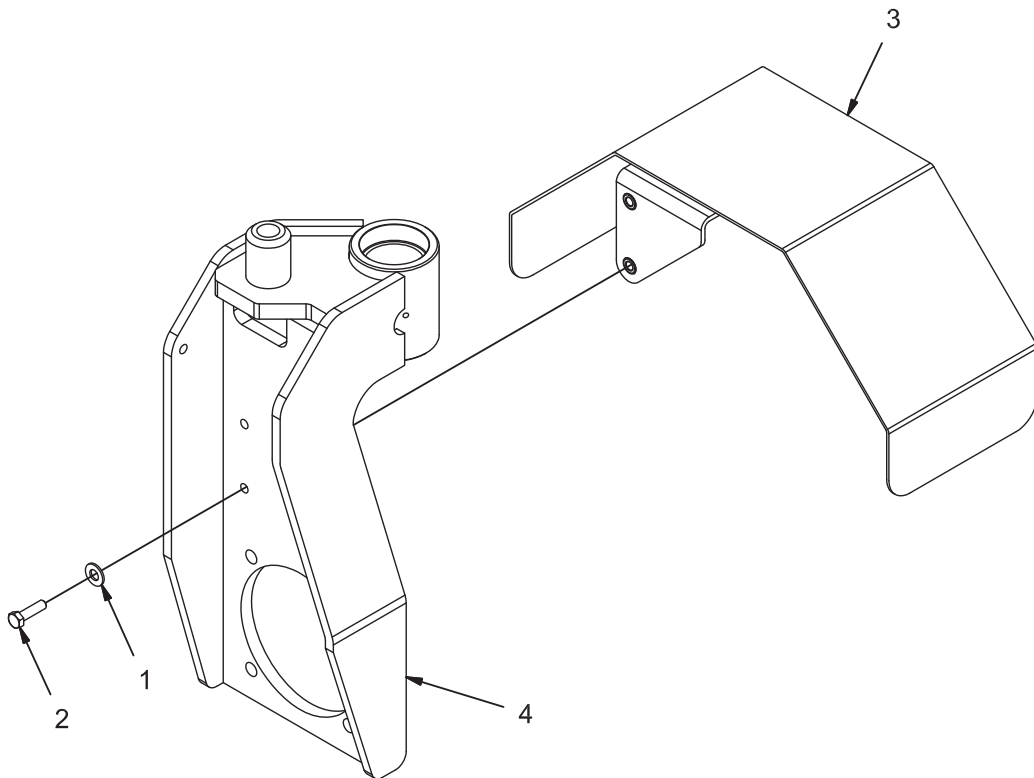


**Parts List - 730026**

ITEM	PART NO.	QTY	DESCRIPTION
1	731566	3	TIE DOWN RING
2	11038346	18	SCR-HH M10-1.5 X 25 ZD CLASS 8.8
3	12040069	18	NUT-NYLOC M10 X 1.5 ZD CLASS 6

**REV A**

OPTION - FRONT WHEEL FENDER (730052)

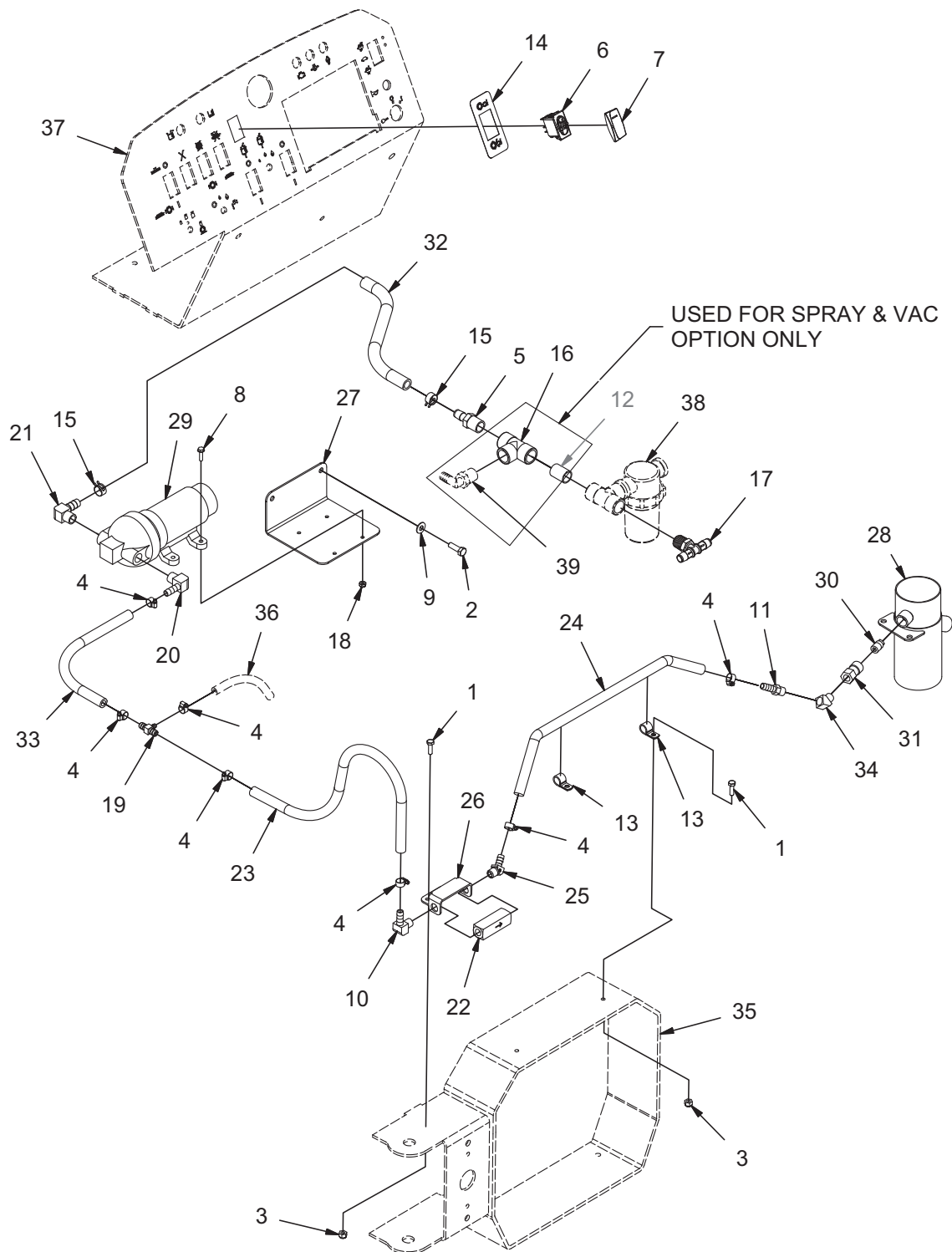


REV A

**OPTION - FRONT WHEEL FENDER (730052)**

<b>Parts List - 730052</b>			
<b>ITEM</b>	<b>PART NO.</b>	<b>QTY</b>	<b>DESCRIPTION</b>
1	3400385	2	WASHER-CONICAL SPRING 3/8
2	730506	2	SCR-HH M8-1.25 X 30 SS
3	731301-1	1	ASSEMBLY, FENDER
4	REFERENCE	1	STEERING FORK

## OPTION - DRY SWEEP - PUMP (730053-1)



REV D

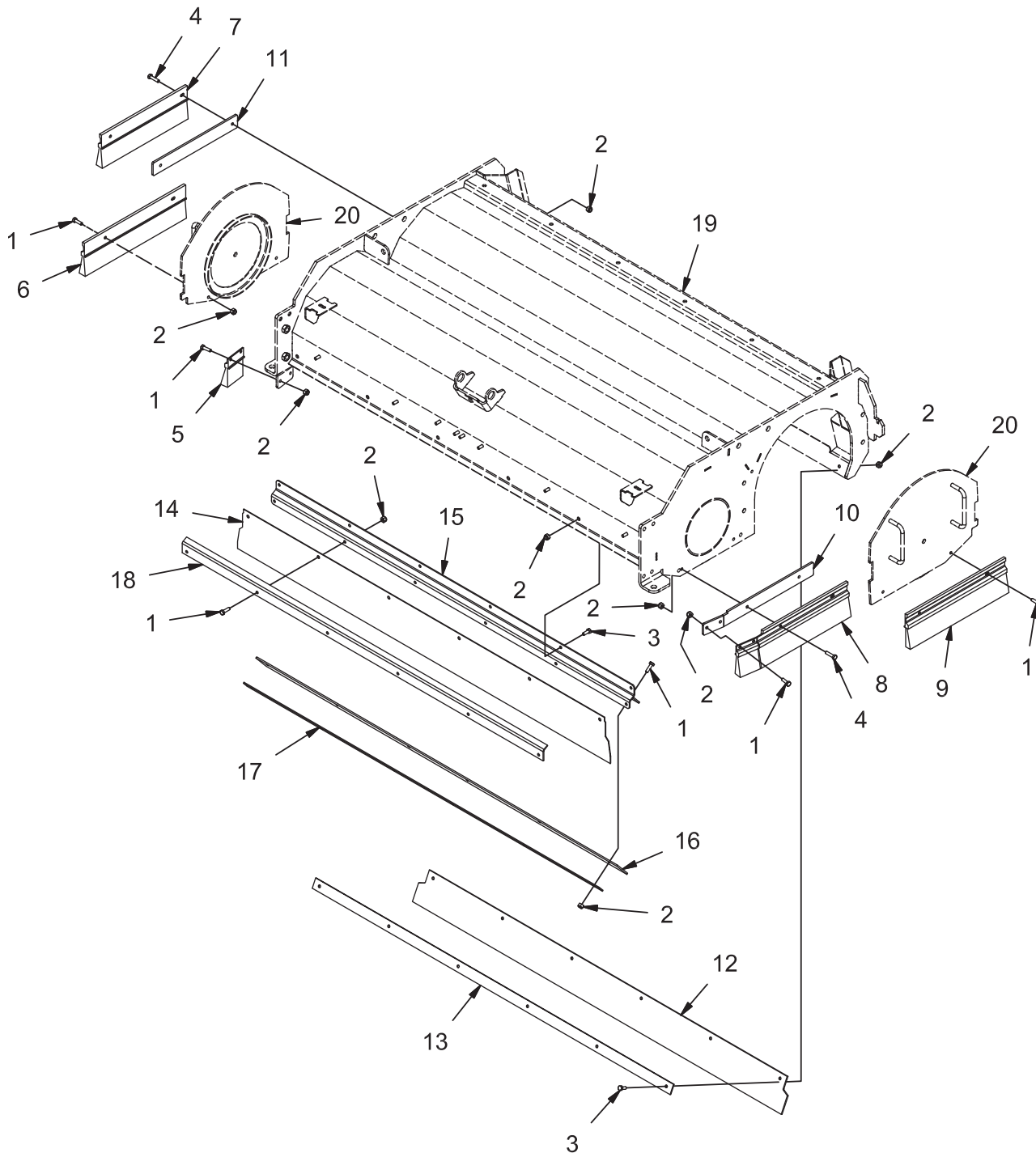


**OPTION - DRY SWEEP - PUMP (730053-1)**

Parts List - 730053-1			
ITEM	PART NO.	QTY	DESCRIPTION
1	3400385	2	WASHER-CONICAL SPRING 3/8
2	730506	2	SCR-HH M8-1.25 X 30 SS
3	731301-1	1	ASSEMBLY, FENDER
4	REFERENCE	1	STEERING FORK
1	11038098	4	SCR-HH M6-1.0 X 20 ZP CLASS 8.8 DIN
2	11039567	2	SCR-HH M8-1.25 X 25 SS
3	12040044	4	NUT-NYLOC M6 X 1.0 ZP CLASS 6
4	3302338	7	CLAMP - SCREW .25" to .625" DIA 301SS
5	3315534	1	FTG-ADAPTER 1/2 MPT X 1/2 HB PP
6	3332713	1	SWITCH-DOUBLE SCRUB BROOM
7	3342273	1	COVER-SWITCH, CARLING, BLACK W/LENS
8	3400044	4	SCR-HH 10-32 X .75 ZP SERR FLANGE
9	3400384	2	WASHER-CONICAL SPRING 5/16
10	3400793	1	FTG-90 3/8 BARBx1/4 NPT
11	342435	1	FTG-ADAPTER 1/4 MPT X 3/8 HB BRASS
12	383465	1	FTG-NIPPLE 1/2 MPT X 1-1/8 LG BRASS
13	713527	2	CLAMP - WIRE & TUBE .500 DIA STEEL
14	715979	1	DECAL, INST PANEL, DS
15	730962	2	CLAMP - UNICLAMP .650 DIA MAGNI 565
16	730966	1	FTG-TEE FEMALE 1/2 NPT X 1/2 X 1/2 PVC
17	730969	1	FTG-TEE 1/2 NPT X 1/2HB X 1/2 HB NYLON
18	731242	4	NUT-NYLOC 10-32 18-8 SS
19	731381	1	UNION TEE, 3/8 TO 1/2 BRASS
20	731556	1	FTG-ELBOW 90 3/8 MPT X 3/8 HB BRASS
21	731558	1	FTG-ELBOW 90 3/8 MPT X 1/2 HB BRASS
22	731584	1	CHECK VALVE, BRASS
23	731900	1	TUBING, 3/8 ID, 83.50 L, REINF VINYL
24	731901	1	TUBING, 3/8 ID, 17.5 L, REINF VINYL
25	731902	1	FTG-45 1/4 MPT TO 3/8 HOSE BRB, BRS
26	731903	1	MOUNT, CHECK VALVE
27	770648	1	BRACKET, PUMP MNT
28	770649	1	WELDMENT, SQUEEGEE TUBE - DC
29	770653-1	1	PUMP ASSY, SOLUTION
30	770654	1	NOZZLE, 120 DEGREE
31	770661	1	SOCKET, SPRAY NOZZLE
32	770662	1	TUBING, 1/2 ID REINFORCED VINYL
33	770663	1	TUBING, 3/8 ID REINFORCED VINYL
34	833906	1	FTG-ELBOW 45 1/4 MPT X 1/4 FPT BRASS
35	REFERENCE	1	REAR BUMPER
36	REFERENCE	1	TUBING TO SPRAYER
37	REFERENCE	1	CONSOLE
38	REFERENCE	1	FILTER ASSEMBLY
39	REFERENCE	1	FITTING, PLASTIC, 90 PART OF SOL CONT GROUP

**GROUP (730053) - OPTION DRY SWEEP, INCLUDES SUB-GROUPS:  
730053-1, 730053-2, 730053-4**

## OPTION - DRY SWEEP - SKIRT (730053-2)



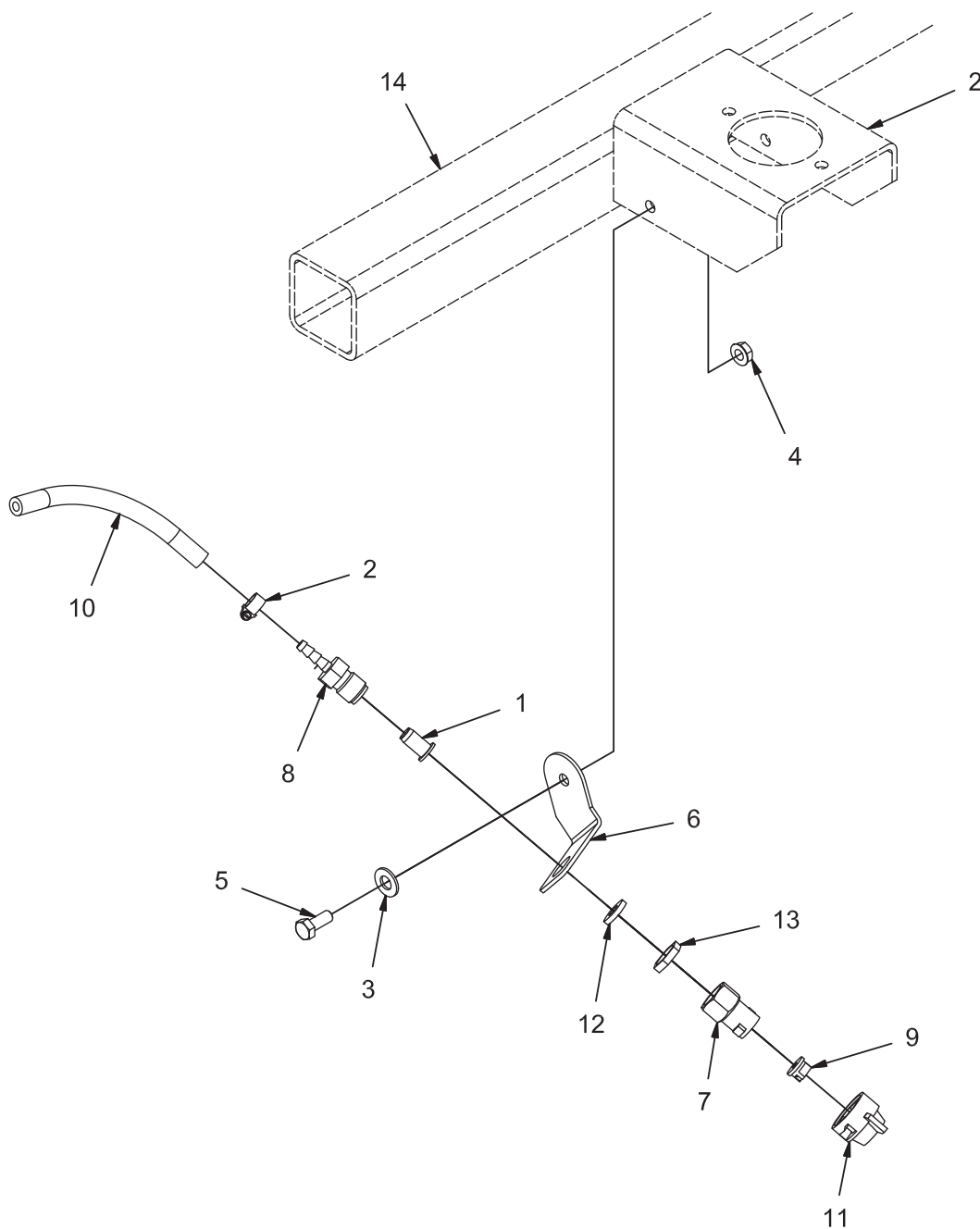
REV A

**OPTION - DRY SWEEP - SKIRT (730053-2)**

<b>Parts List - 730053-2</b>			
<b>ITEM</b>	<b>PART NO.</b>	<b>QTY</b>	<b>DESCRIPTION</b>
1	600913	20	SCR-HH M6-1.00 X 20 SS
2	600933	36	NUT-NYLOC M6-1.00 SS
3	730934	12	SCR-HH M6-1.00 X 16 SS FULL THREAD
4	731555	4	SCR-HH M6-1.00 X 25 SS
5	770606	1	SKIRT, DC, RH TIP
6	770607	1	SKIRT, DC, RH FRONT
7	770608	1	SKIRT, DC, RH REAR
8	770609	1	SKIRT, DC, LH FRONT
9	770610	1	SKIRT, DC, LH REAR
10	770611	1	BAR, SPACER, LH FRONT
11	770612	1	BAR, SPACER, RH REAR
12	770614	1	SKIRT, DC, REAR
13	770615	1	STRAP, REAR SKIRT RETAINER
14	770656	1	SKIRT, DC, FRONT
15	770657	1	WELDMENT, FRONT SKIRT MNT
16	770659	1	SKIRT, FRONT RECERC
17	770660	1	STRAP, RETAINER
18	770664	1	ANGLE, RETAINER
19	REFERENCE	1	SCRUB HEAD
20	REFERENCE	1	BRUSH RETAINER

**GROUP (730053) - OPTION DRY SWEEP, INCLUDES SUB-GROUPS:  
730053-1, 730053-2, 730053-4**

## OPTION - DRY SWEEP - WATER MIST (730053-4)



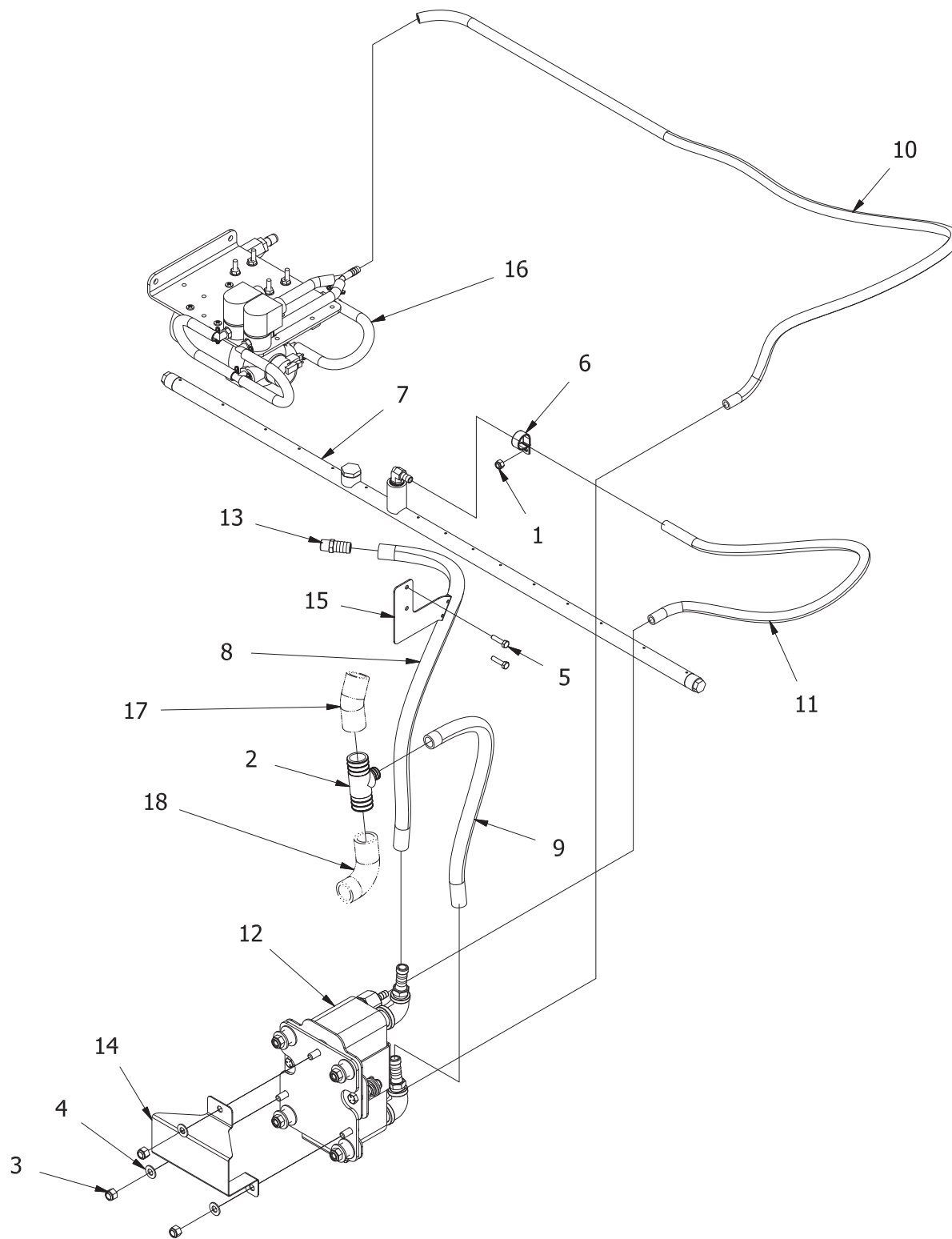
REV A

**OPTION - DRY SWEEP - WATER MIST (730053-4)**

<b>Parts List - 730053-4</b>			
<b>ITEM</b>	<b>PART NO.</b>	<b>QTY</b>	<b>DESCRIPTION</b>
1	281041	1	VALVE-CHECK
2	3302338	1	CLAMP-SCREW - .25" to .625" DIA - 301SS
3	3400385	1	WASHER-CONICAL SPRING 3/8
4	600934	1	NUT-FLANGE WIZZ M8-1.25 ZP
5	717030	1	SCR-HH M8-1.25 X 20 SS
6	731538	1	MOUNT, NOZZLE
7	770666	1	ADAPTER, SPRAY
8	770667	1	FITTING, SPECIAL
9	770668	1	SPRAY TIP - 11001
10	770669	1	TUBING, .25 ID, 16"
11	833141	1	CAP
12	833142	1	GASKET-CAP
13	PART OF 770667	1	NUT, 11/16-16
14	REFERENCE	1	FRAME

**GROUP (730053) - OPTION DRY SWEEP, INCLUDES SUB-GROUPS:  
730053-1, 730053-2, 730053-4**

## OPTION - TGT, HEATED SOLUTION, LP (731507-A)

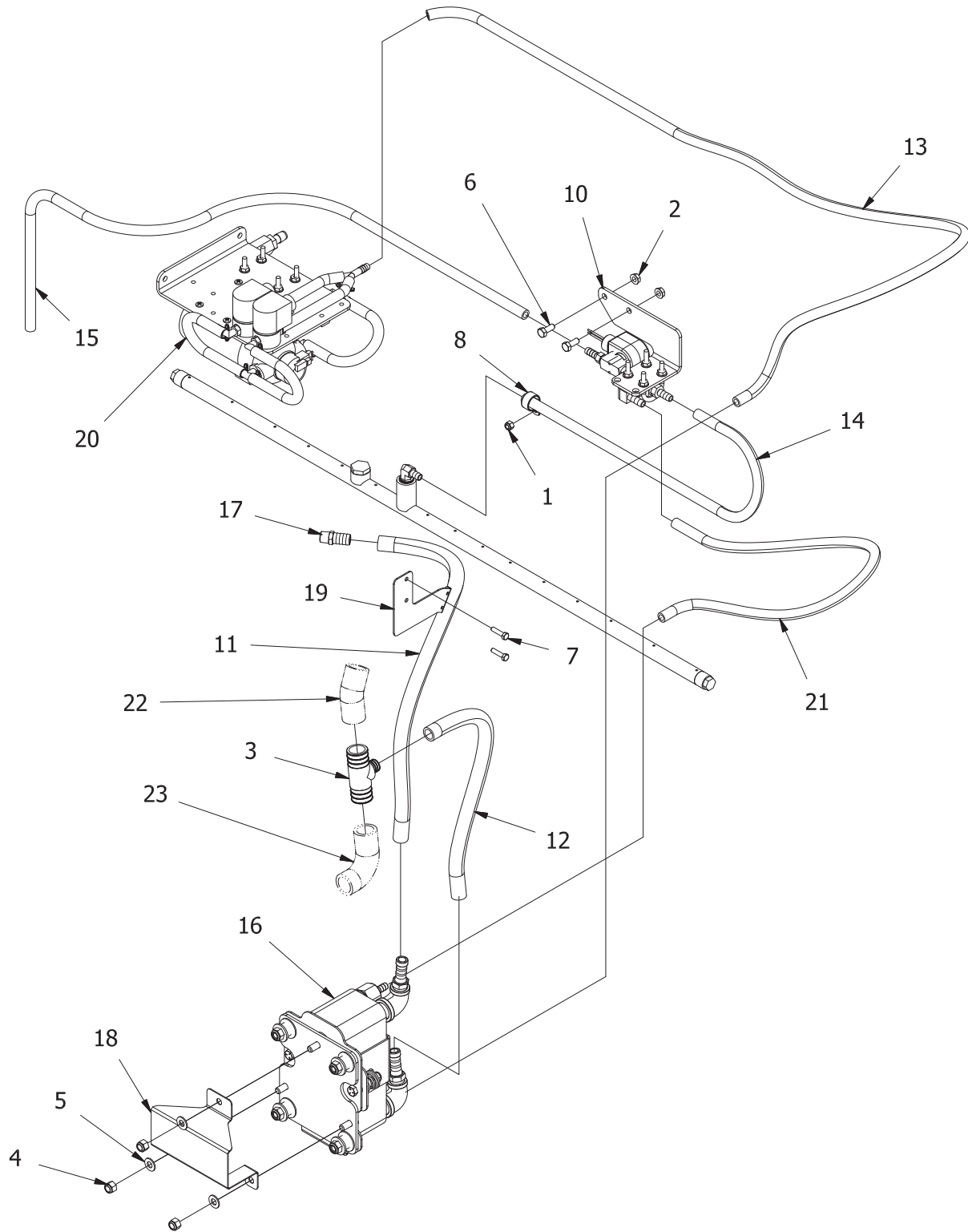


REV C

**OPTION - TGT, HEATED SOLUTION, LP (731507-A)**

<b>Parts List - 731507-A</b>			
<b>ITEM</b>	<b>PART NO.</b>	<b>QTY</b>	<b>DESCRIPTION</b>
1	600933	1	NUT-NYLOC M6-1.00 SS
2	690039	1	FTG-TEE 1-1/4 HBX 1-1/4 HB X 3/4 HB BRAS
3	711380	3	NUT-NYLOC 3/8-16 ZP
4	712301	3	WASHER-FLAT 3/8 X .87 X .06 ZP
5	731006	2	SCR-HH M6-1.00 X 25 ZP CLASS 8.8
6	731218	1	CLAMP - WIRE & TUBE .875 DIA STEEL
7	731316	1	ASSY, SOLUTION BAR, SS, HEATED
8	731561	1	HOSE, COOLANT, 5/8"ID X 25"LG
9	731562	1	HOSE, COOLANT, 5/8"ID X 15"LG
10	731714	1	TUBING, 3/8 ID X 56.00 REINF. SILICONE
11	731718	1	TUBING, 3/8 ID X 45.00 REINF. SILICONE
12	731719	1	ASSY, BP HEAT EXCHANGER, LP
13	731753	1	FTG-ADAPTER 3/8 BSPT X 5/8 HB SS
14	731764	1	BRACKET, U
15	731766	1	BRACKET, MOUNTING, HOSE
16	731911	1	ASSY, CONSTANT SOLUTION
17	REFERENCE	1	LOWER RADIATOR HOSE
18	REFERENCE	1	LOWER RADIATOR HOSE
***	829129	8	CLAMP - SCREW .313" to .875" DIA 301SS
***	3302193	4	CLAMP - SCREW .69" to 1.5" DIA 201SS
***	3300535	4	CLAMP - SCREW .5" to 1.25" DIA 201SS
***	3500331	1	SLEEVE-HOSE NYLON 5/8"-3/4"
***	730202	1	HARNESS ASSY, HEATED SOL/SIDE SCRUB
***	731999	1	HARNESS ASSY, CONST SOL
***	732002	1	WIRE ASSY, RED/BLK, 16 AWG
***	732003	1	HARNESS, HEATED CONST SOL
***	748021	1	CONNECTOR-PACKARD 2 PIN FEMALE
***	90264672	1	RELAY-SPDT, 12VDC 30A
***	715021	2	DECAL, THERMAL GREEN TECHNOLOGY
***	740099-B	4	CABLE TIE-SMALL (BLACK)

## OPTION - TGT, HEATED SOLUTION, LP W/SIDE SCRUB (731995-A)



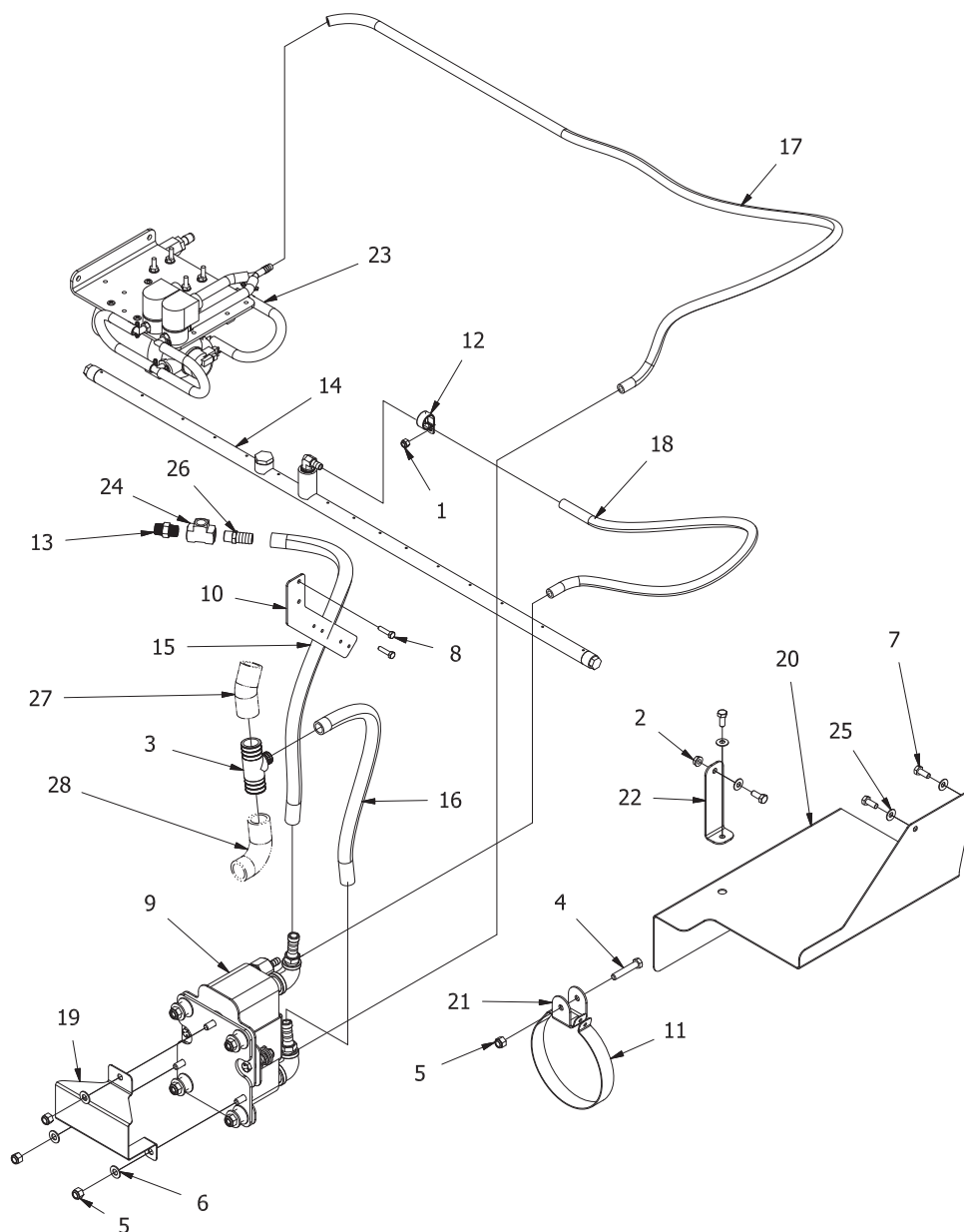
REV C



**OPTION - TGT, HEATED SOLUTION, LP W/SIDE SCRUB (731995-A)**

<b>Parts List - 731995-A</b>			
<b>ITEM</b>	<b>PART NO.</b>	<b>QTY</b>	<b>DESCRIPTION</b>
1	600933	1	NUT-NYLOC M6-1.00 SS
2	600934	2	NUT-FLANGE WIZZ M8-1.25 ZP
3	690039	1	FTG-TEE 1-1/4 HBX 1-1/4 HB X 3/4 HB BRAS
4	711380	3	NUT-NYLOC 3/8-16 ZP
5	712301	3	WASHER-FLAT 3/8 X .87 X .06 ZP
6	717030	2	SCR-HH M8-1.25 X 20 SS
7	731006	2	SCR-HH M6-1.00 X 25 ZP CLASS 8.8
8	731218	1	CLAMP - WIRE & TUBE .875 DIA STEEL
9	731316	1	ASSY, SOLUTION BAR, SS, HEATED
10	731409	1	ASSY, HEATED WITH SIDE SCRUB
11	731561	11	HOSE, COOLANT, 5/8"ID X 25"LG
12	731562	1	HOSE, COOLANT, 5/8"ID X 15"LG
13	731714	1	TUBING, 3/8 ID X 56.00 REINF. SILICONE
14	731716	1	TUBING, 3/8 ID X 25.00 REINF. SILICONE
15	731717	1	TUBING, 3/8 ID X 52.00 REINF. SILICONE
16	731719	1	ASSY, BP HEAT EXCHANGER, LP
17	731753	1	FTG-ADAPTER 3/8 BSPT X 5/8 HB SS
18	731764	1	BRACKET, U
19	731766	1	BRACKET, MOUNTING, HOSE
20	731911	1	ASSY, CONSTANT SOLUTION
21	731997	1	TUBING, 3/8 ID X 32.00 REINF. SILICONE
22	REFERENCE	1	LOWER RADIATOR HOSE
23	REFERENCE	1	LOWER RADIATOR HOSE
***	829129	8	CLAMP - SCREW .313" to .875" DIA 301SS
***	3302193	4	CLAMP - SCREW .69" to 1.5" DIA 201SS
***	3300535	4	CLAMP - SCREW .5" to 1.25" DIA 201SS
***	3500331	1	SLEEVE-HOSE NYLON 5/8"-3/4"
***	730202	1	HARNESS ASSY, HEATED SOL/SIDE SCRUB
***	731999	1	HARNESS ASSY, CONST SOL
***	732002	1	WIRE ASSY, RED/BLK, 16 AWG
***	732003	1	HARNESS, HEATED CONST SOL
***	748021	1	CONNECTOR-PACKARD 2 PIN FEMALE
***	90264672	1	RELAY-SPDT, 12VDC 30A
***	715021	2	DECAL, THERMAL GREEN TECHNOLOGY
***	740099-B	4	CABLE TIE-SMALL (BLACK)

## OPTION - TGT, HEATED SOLUTION, DSL (731522-A)



**Parts List - 731522-A**

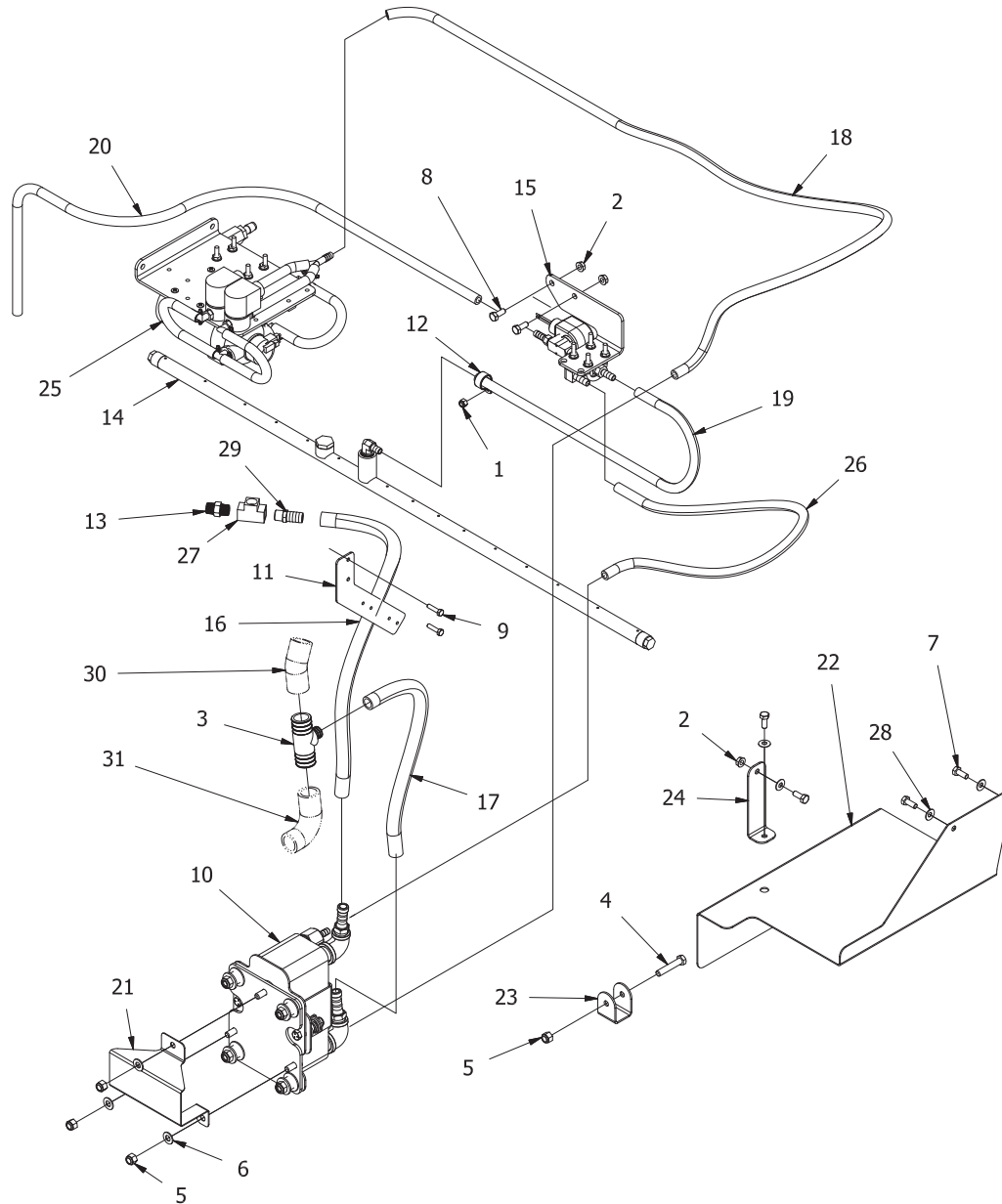
ITEM	PART NO.	QTY	DESCRIPTION
1	600933	1	NUT-NYLOC M6-1.00 SS
2	600934	1	NUT-FLANGE WIZZ M8-1.25 ZP
3	690039	1	FTG-TEE 1-1/4 HBX 1-1/4 HB X 3/4 HB BRAS
4	711247	1	SCR-HH 3/8-16 X 2.00 ZP GR 5
5	711380	4	NUT-NYLOC 3/8-16 ZP

REV C

**OPTION - TGT, HEATED SOLUTION, DSL (731522-A)**

<b>Parts List - 731522-A</b>			
<b>ITEM</b>	<b>PART NO.</b>	<b>QTY</b>	<b>DESCRIPTION</b>
6	712301	3	WASHER-FLAT 3/8 X .87 X .06 ZP
7	717024	4	SCR-HH M8-1.25 X 20 ZP GRADE 8.8
8	731006	2	SCR-HH M6-1.00 X 25 ZP CLASS 8.8
9	731040	1	ASSY, BP HEAT EXCHANGER, DSL
10	731041	1	BRACKET, HOSE, BPHE DSL
11	731180	1	STRAP, MUFFLER
12	731218	1	CLAMP - WIRE & TUBE .875 DIA STEEL
13	731254	1	FTG-ADAPTER 3/8 BSPT X 3/8 MPT
14	731316	1	ASSY, SOLUTION BAR, SS, HEATED
15	731561	1	HOSE, COOLANT, 5/8"ID X 25"LG
16	731562	1	HOSE, COOLANT, 5/8"ID X 15"LG
17	731714	1	TUBING, 3/8 ID X 56.00 REINF. SILICONE
18	731718	1	TUBING, 3/8 ID X 45.00 REINF. SILICONE
19	731764	1	BRACKET, U
20	731768-1	1	ASSY, HEAT SHIELD, HEATED SOL., DSL
21	731769	1	BRACKET, MUFFLER HANGER
22	731770	1	MOUNT, HEAT SHIELD, HEATED SOL, DSL
23	731911	1	ASSY, CONSTANT SOLUTION
24	3303303	1	FTG-TEE 3/8 FPT
25	3400384	4	WASHER-CONICAL SPRING 5/16
26	3401634	1	FTG-ADAPTER 3/8 MPT X 5/8 HB BRASS
27	REFERENCE	1	LOWER RADIATOR HOSE
28	REFERENCE	1	LOWER RADIATOR HOSE
***	829129	4	CLAMP - SCREW .313" to .875" DIA 301SS
***	3302193	4	CLAMP - SCREW .69" to 1.5" DIA 201SS
***	3300535	1	CLAMP - SCREW .5" to 1.25" DIA 201SS
***	3500331	1	SLEEVE-HOSE NYLON 5/8"-3/4"
***	730202	1	HARNESS ASSY, HEATED SOL/SIDE SCRUB
***	731999	1	HARNESS ASSY, CONST SOL
***	732002	1	WIRE ASSY, RED/BLK, 16 AWG
***	732003	1	HARNESS, HEATED CONST SOL
***	748021	1	CONNECTOR-PACKARD 2 PIN FEMALE
***	90264672	1	RELAY-SPDT, 12VDC 30A
***	715021	2	DECAL, THERMAL GREEN TECHNOLOGY
***	740099-B	4	CABLE TIE-SMALL (BLACK)

## OPTION - TGT, HEATED SOLUTION, DSL W/SIDE SCRUB (731403-A)



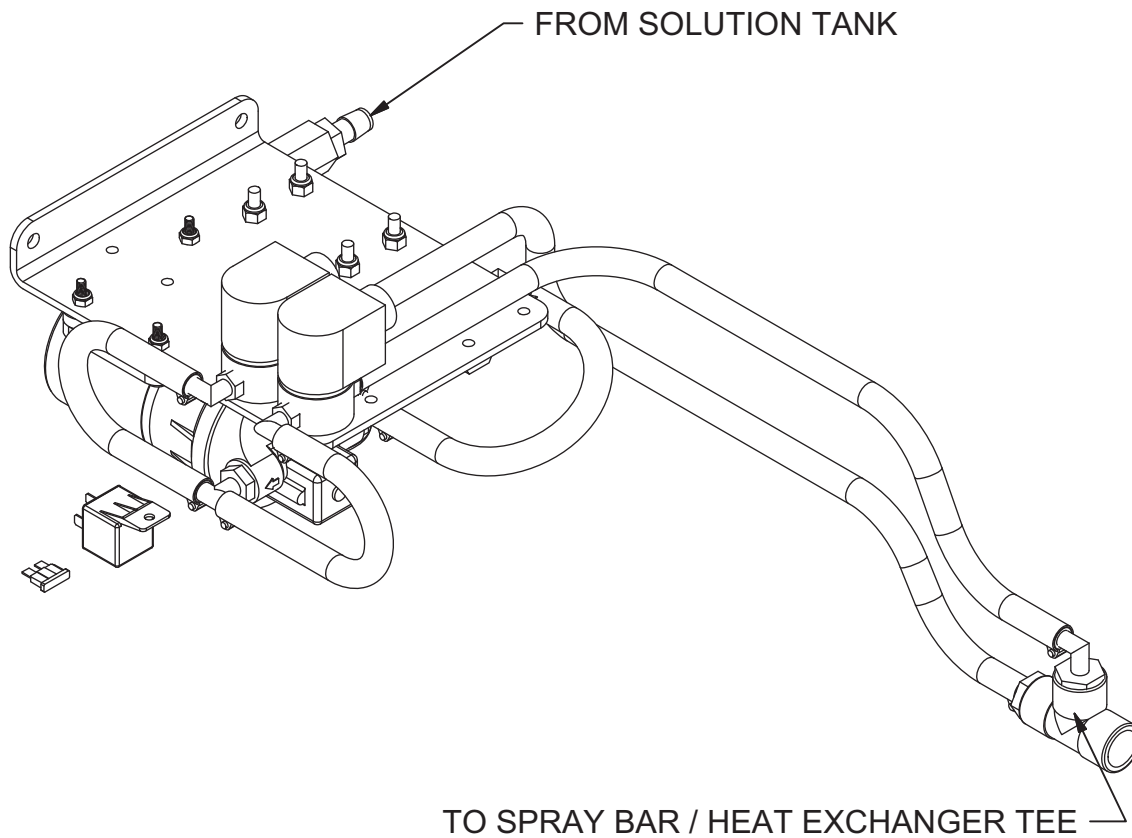
Parts List - 731403-A			
ITEM	PART NO.	QTY	DESCRIPTION
1	600933	1	NUT-NYLOC M6-1.00 SS
2	600934	3	NUT-FLANGE WIZZ M8-1.25 ZP
3	690039	1	FTG-TEE 1-1/4 HBX 1-1/4 HB X 3/4 HB BRAS
4	711247	1	SCR-HH 3/8-16 X 2.00 ZP GR 5
5	711380	4	NUT-NYLOC 3/8-16 ZP
6	712301	3	WASHER-FLAT 3/8 X .87 X .06 ZP
7	717024	4	SCR-HH M8-1.25 X 20 ZP GRADE 8.8

REV C

**OPTION - TGT, HEATED SOLUTION, DSL W/SIDE SCRUB (731403-A)**

<b>Parts List - 731403-A</b>			
<b>ITEM</b>	<b>PART NO.</b>	<b>QTY</b>	<b>DESCRIPTION</b>
8	717030	2	SCR-HH M8-1.25 X 20 SS
9	731006	2	SCR-HH M6-1.00 X 25 ZP CLASS 8.8
10	731040	1	ASSY, BP HEAT EXCHANGER, DSL
11	731041	1	BRACKET, HOSE, BPHE DSL
12	731218	1	CLAMP - WIRE & TUBE .875 DIA STEEL
13	731254	1	FTG-ADAPTER 3/8 BSPT X 3/8 MPT
14	731316	1	ASSY, SOLUTION BAR, SS, HEATED
15	731409	1	ASSY, HEATED WITH SIDE SCRUB
16	731561	1	HOSE, COOLANT, 5/8"ID X 25"LG
17	731562	1	HOSE, COOLANT, 5/8"ID X 15"LG
18	731714	1	TUBING, 3/8 ID X 56.00 REINF. SILICONE
19	731716	1	TUBING, 3/8 ID X 25.00 REINF. SILICONE
20	731717	1	TUBING, 3/8 ID X 52.00 REINF. SILICONE
21	731764	1	BRACKET, U
22	731768-1	1	ASSY, HEAT SHIELD, HEATED SOL., DSL
23	731769	1	BRACKET, MUFFLER HANGER
24	731770	1	MOUNT, HEAT SHIELD, HEATED SOL, DSL
25	731911	1	ASSY, CONSTANT SOLUTION
26	731997	1	TUBING, 3/8 ID X 32.00 REINF. SILICONE
27	281090	1	FTG-TEE 3/8 FPT X 3/8 FPT X 3/8 FPT BRAS
28	3400384	4	WASHER-CONICAL SPRING 5/16
29	3401634	1	FTG-ADAPTER 3/8 MPT X 5/8 HB BRASS
30	REFERENCE	1	LOWER RADIATOR HOSE
31	REFERENCE	1	LOWER RADIATOR HOSE
***	829129	8	CLAMP - SCREW .313" to .875" DIA 301SS
***	3300535	4	CLAMP - SCREW .5" to 1.25" DIA 201SS
***	3302193	4	CLAMP - SCREW .69" to 1.5" DIA 201SS
***	730202	1	HARNESS ASSY, HEATED SOL/SIDE SCRUB
***	3500331	1	SLEEVE-HOSE NYLON 5/8"-3/4"
***	731999	1	HARNESS ASSY, CONST SOL
***	732002	1	WIRE ASSY, RED/BLK, 16 AWG
***	732003	1	HARNESS, HEATED CONST SOL
***	748021	1	CONNECTOR-PACKARD 2 PIN FEMALE
***	90264672	1	RELAY-SPDT, 12VDC 30A
***	715021	2	DECAL, THERMAL GREEN TECHNOLOGY

OPTION - CONSTANT SOLUTION (731910)

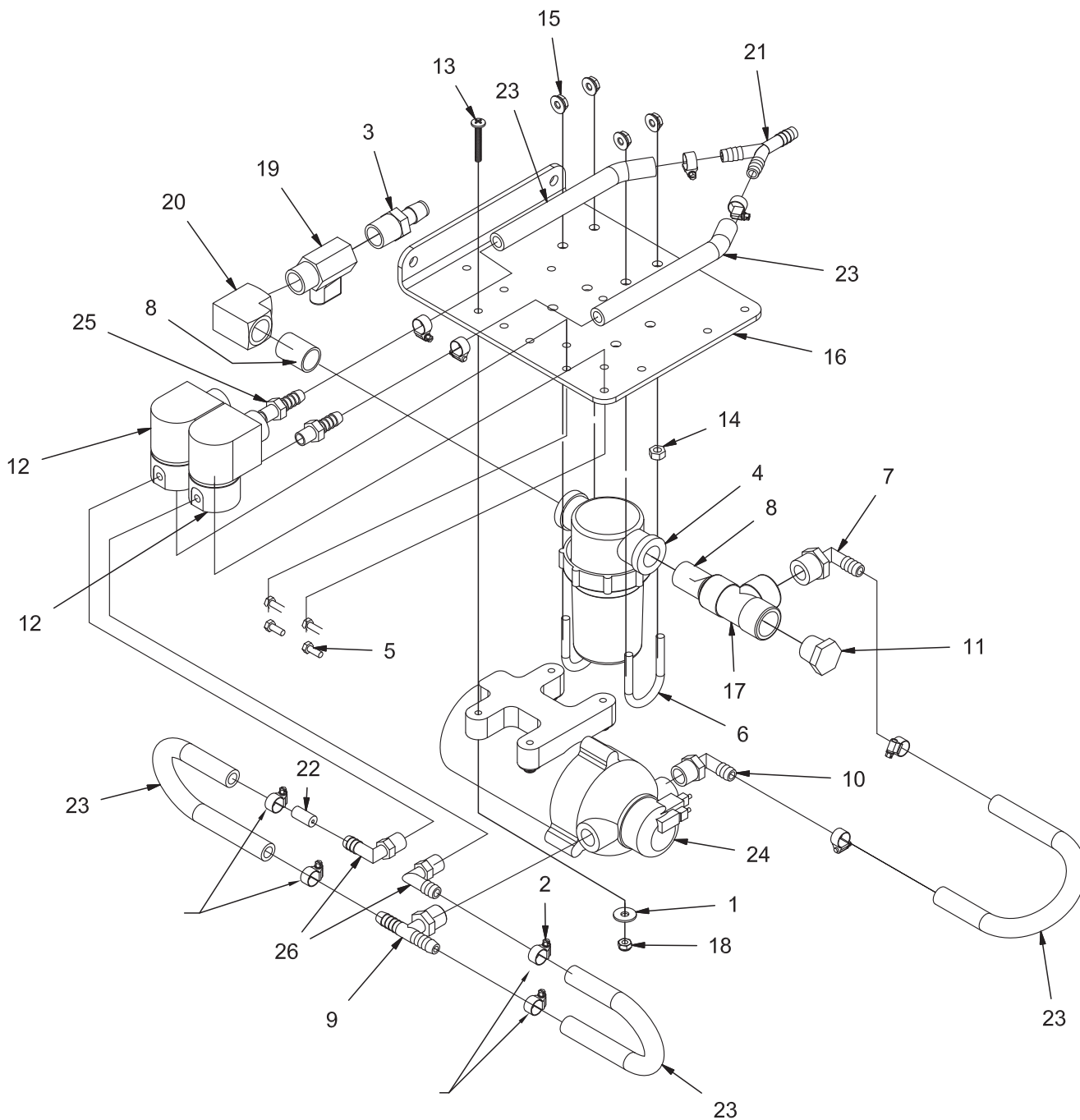


REV C

**OPTION - CONSTANT SOLUTION (731910)**

<b>Parts List - 731910</b>		
<b>PART NO.</b>	<b>QTY</b>	<b>DESCRIPTION</b>
731911	1	ASSY, CONSTANT SOLUTION
90264672	1	RELAY-SPDT, 12VDC 30A
3322601	1	FUSE-15 AMP AUTOMOTIVE PUSH IN
731999	1	HARNESS ASSY, CONST SOL
732001	1	HARNESS, CONST SOL PUMP
732002	1	WIRE ASSY, RED/BLK, 16 AWG
731999	1	HARNESS ASSY, CONST SOL

## ASSEMBLY - CONSTANT SOLUTION (731911)



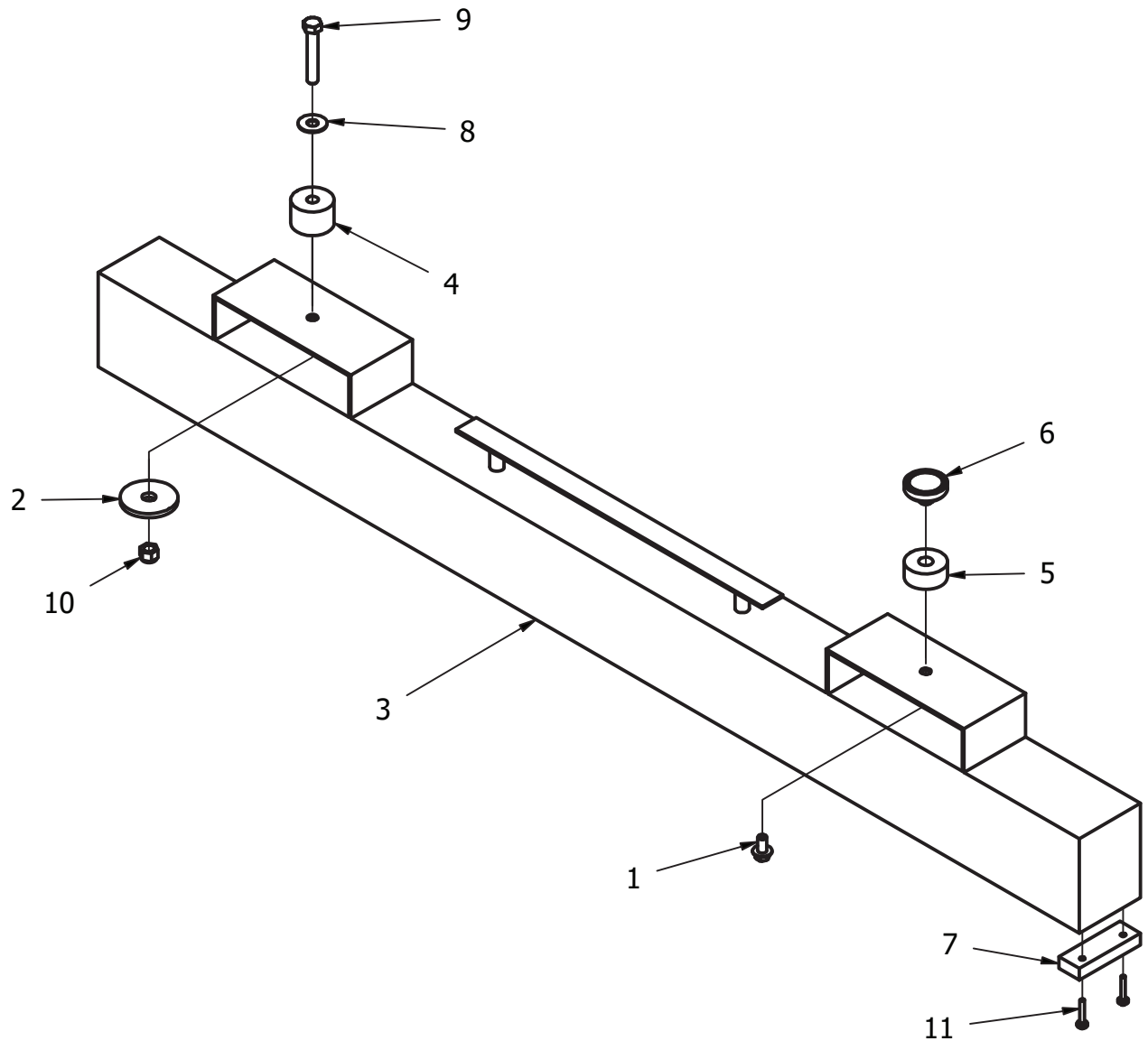
REV H



**ASSEMBLY - CONSTANT SOLUTION (731911)**

<b>Parts List - 731911</b>			
<b>ITEM</b>	<b>PART NO.</b>	<b>QTY</b>	<b>DESCRIPTION</b>
1	12332011	4	WASHER-FLAT M6.4 X 18 X 1.6 ZP
2	3302338	10	CLAMP - SCREW .25" to .625" DIA 301SS
3	3315534	1	FTG-ADAPTER 1/2 MPT X 1/2 HB PP
4	3323501	1	FILTER-B50 MESH INLINE PP
5	3400315	4	SCR-HH 10-32 X .50 ZP SERR FLANGE
6	3401981	2	BLT-U 1/4-20 X3/4 ZP
7	383327	1	FTG-ELBOW 90 1/2 MPT X 3/8 HB PP
8	383465	2	FTG-NIPPLE 1/2 MPT X 1-1/8 LG BRASS
9	450025	1	FTG-TEE 3/8 MPT X 3/8 HB NYLON
10	450040	1	FTG-ELBOW 90 3/8 MPT X 3/8 HB NYLON
11	500122	1	FTG-PLUG HEX 1/2 PP
12	620278-1	2	SOLENOID ASSY, WATER, 1/4 FPT 12V 250PSI
13	710030	4	SCR-PHMS 10-32 X 1-3/8 SS
14	3400071	4	NUT-HEX 1/4-20 ZP GR 5
15	711425	4	NUT-FLANGED WIZZ 1/4-20 ZP
16	730955	1	BRACKET, FILTER MNT
17	730966	1	FTG-TEE FEMALE 1/2 NPT X 1/2 X 1/2 PVC
18	731242	4	NUT-NYLOC 10-32 18-8 SS
19	731378	1	BALL VALVE, 1/2 IN NPT, BRASS
20	731380	1	FTG-ELBOW 90 ST 1/2 FPT X 1/2 FPT BRASS
21	731969	1	FTG-WYE 3/8 HB X 3/8 HB 3/8 HB NYLON
22	731982	1	ORIFICE, CONST SOL, .1130
23	731983	5	HOSE-NYL REINF, 3/8 ID, 10.00"
24	732012-1	1	PUMP ASSY-SOLUTION, 12VDC
25	828952	2	FTG-ADAPTER 1/4 MPT X 3/8 HB PP
26	833325	2	FTG-ELBOW 90 1/4 MPT X 3/8 HB NYLON

OPTION - MAGNETIC SWEEPER BAR (731918)

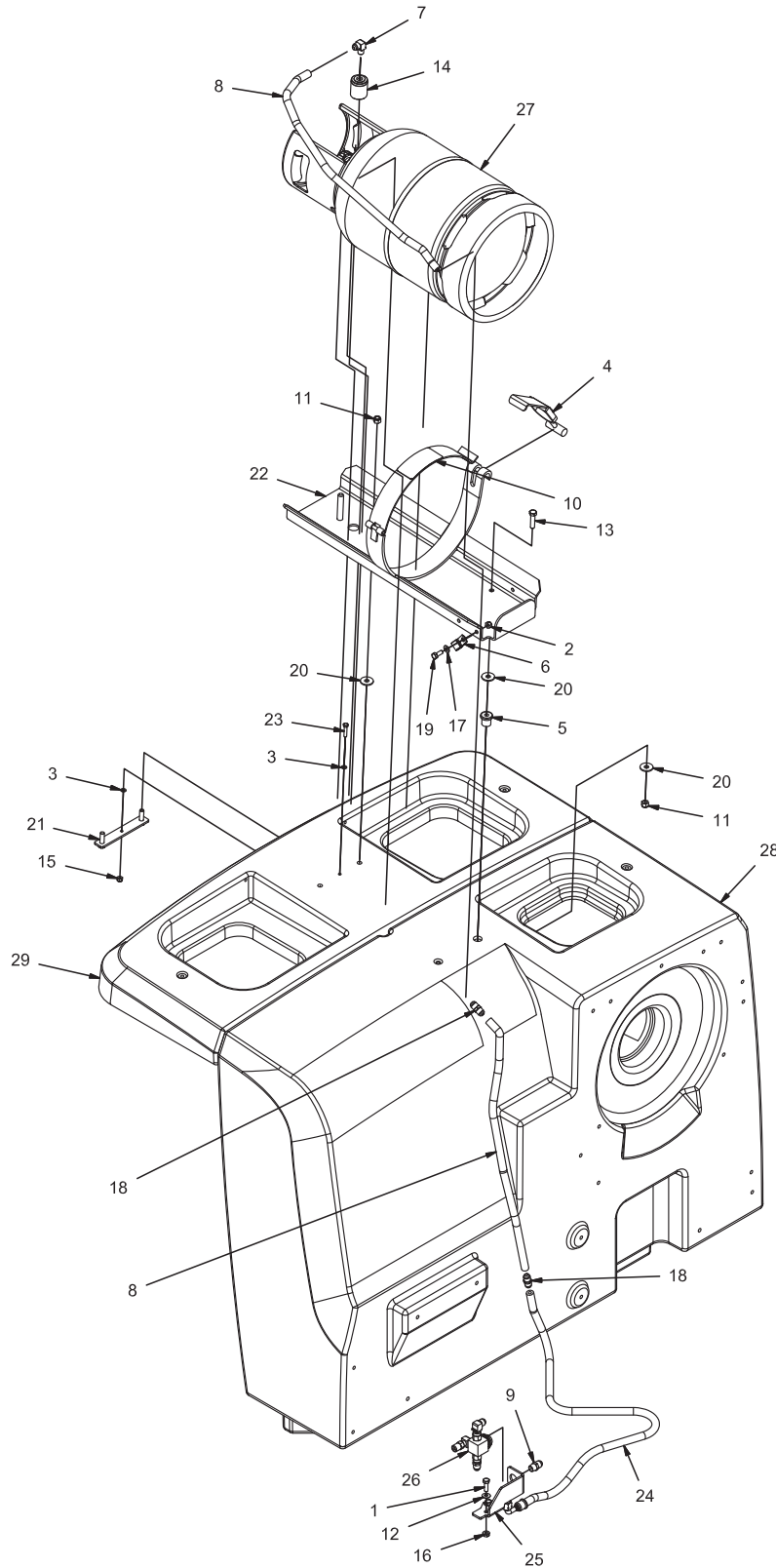


REV A

**OPTION - MAGNETIC SWEEPER BAR (731918)**

<b>Parts List - 731918</b>			
<b>ITEM</b>	<b>PART NO.</b>	<b>QTY</b>	<b>DESCRIPTION</b>
1	712042	1	SCR-HH 5/16-18 X.62 ZP GR 5 FLANGE
2	718015	1	WASHER, .484 B 2.00 OD .179 T
3	731919	1	MAGNETIC SWEEPER
4	731927	1	SPACER, 1.50 OD, .406 ID, 1.00 THK
5	731928	1	SPACER, 1.50 OD, .500 ID, .66 THK
6	731929	1	MAGNET, 100LB, 5/16-18 THREAD
7	731965	1	SLIDER, MAGNET SWEEPER, UHMWPE
8	3400336	1	WASHER-FLAT 3/8 X 1 X .105 SS
9	3400339	1	SCR-HH 3/8-16 X 2.25 SS PARTIAL THREAD
10	3400340	1	NUT-NYLOC 3/8-16 SS
11	11175494	2	SCR-MC M5X0.8 X 25 DIN7985 SS

## OPTION - RESERVE LPG TANK GROUP (730160)

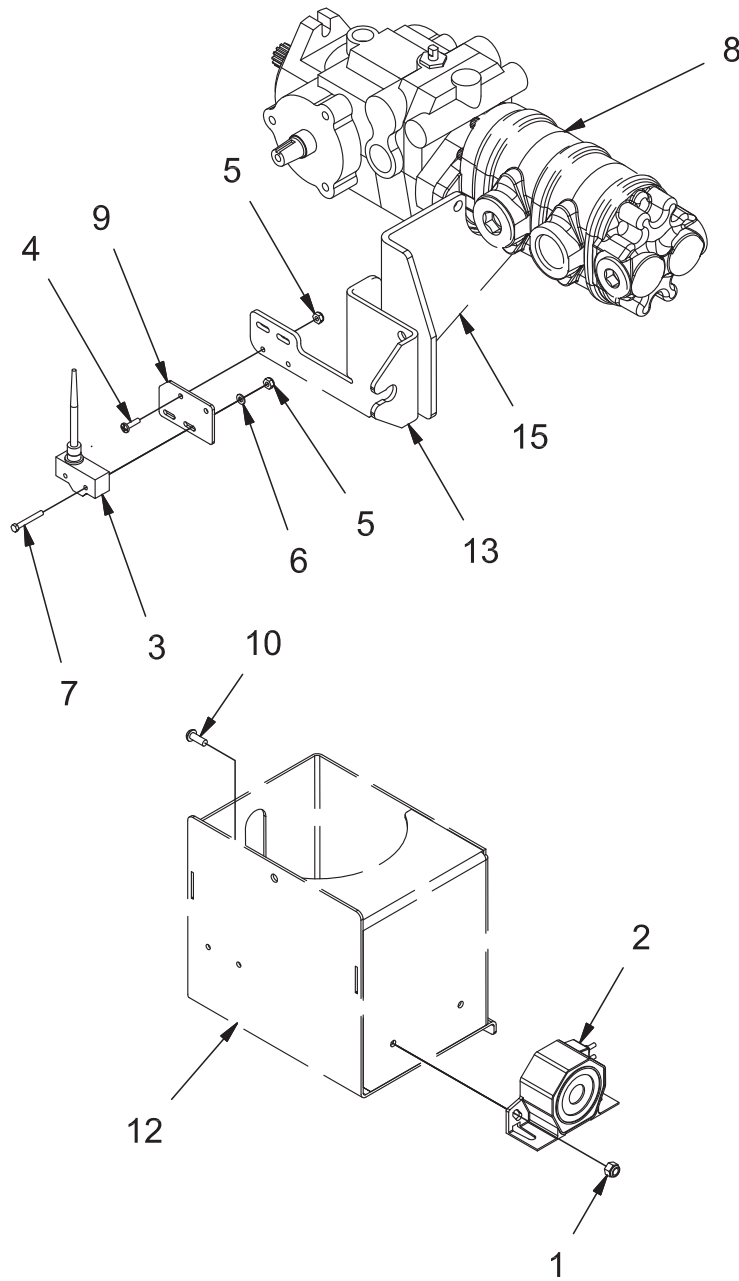


REV A

**OPTION - RESERVE LPG TANK GROUP (730160)**

<b>Parts List - 730160</b>			
<b>ITEM</b>	<b>PART NO.</b>	<b>QTY</b>	<b>DESCRIPTION</b>
1	11038247	2	SCR-HH M8-1.25 X 25 ZP CLASS 8.8
2	12040051	1	NUT-NYLOC M8 X 1.25 ZP CLASS 8
3	12310256	2	WSR-FLT 6.4X12X1.6, SS DIN125
4	220131	1	BUCKLE
5	3300465	2	ISOLATOR-RUBBER (.375ID X .81OD)
6	3301158	1	CLAMP - WIRE & TUBE .687 DIA STEEL
7	3334037	1	FTG-MALE ELBOW 49 X 6
8	3335375	2	HOSE - 5/16 LP 28.5 SAE 45 ST#6 ST#6
9	3342097	1	3/8 MALE SAE FLARE X 1/4 NPT
10	3342971	1	DECAL-WARNING LP (EXPLOSIVE FUEL)
11	3400340	4	NUT-NYLOC 3/8-16 SS
12	3400384	2	WASHER-CONICAL SPRING 5/16
13	3400455	2	SCR-HH 3/8-16 X 1.50 SS
14	3400860	1	FTG-LP TANK CONNECT
15	600933	1	NUT-NYLOC M6-1.00 SS
16	600934	2	NUT-FLANGE WIZZ M8-1.25 ZP
17	600941	1	WASHER-FLAT 5/16 X .688 ZP
18	675744	2	FTG-UNION, FLARE TO FLARE 3/8 TUBE
19	717024	1	SCR-HH M8-1.25 X 20 ZP GRADE 8.8
20	717040	6	WASHER-FLAT M10.5 X 30 X 2.5 SS
21	730993	1	WELDMENT, BOLT PLT
22	731010	1	WELDMENT, LPG RACK
23	731050	1	SCR-HH M6-1.00 X 30 SS
24	731186	1	HOSE, LPG, 6 SAE STR - 6 SAE 90
25	731966	1	BRKT, DUAL TANK CHECK VALVE SUPPORT
26	731967	1	ASSY, DUAL TANK CHECK VALVE
27	REFERENCE	1	LPG TANK
28	REFERENCE	1	SOLUTION TANK
29	REFERENCE	1	DEMISTER

## OPTION - BACKUP ALARM GROUP - CM, RESERVE LPG IN (730169)

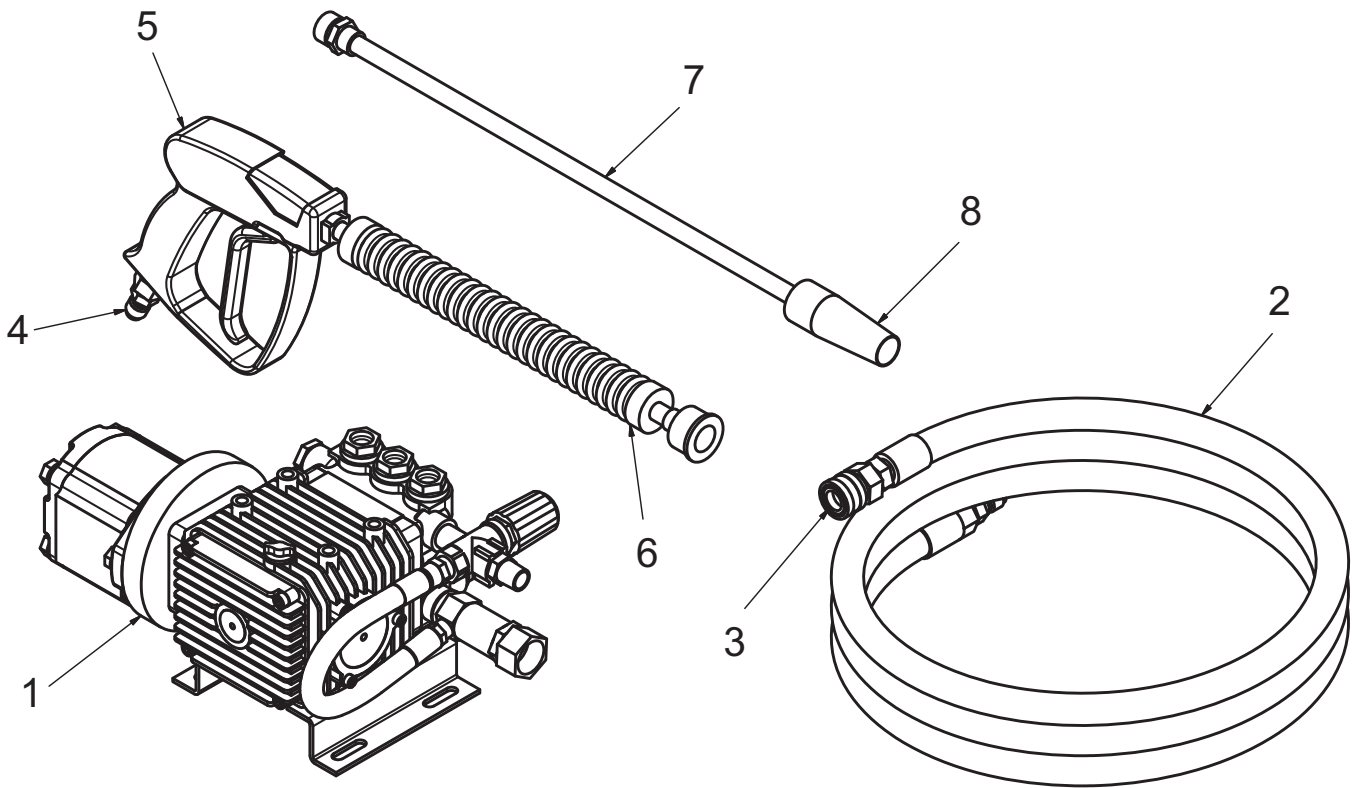


REV A

**OPTION - BACKUP ALARM GROUP - CM, RESERVE LPG IN (730169)**

<b>Parts List - 730169</b>			
<b>ITEM</b>	<b>PART NO.</b>	<b>QTY</b>	<b>DESCRIPTION</b>
1	12040044	2	NUT, M6-1.00 ESN
2	3303002	1	ALARM, BACKUP
3	3342546-1	1	HARNESS, SWITCH, WHISKER
4	3400045	2	SCREW, #8-32 X .625 PAN HD ZP
5	711372	4	NUT, FIBER INSERT #8-32
6	711502	2	FLATWASHER, #8
7	620136	2	BOLT, #8-32 X 1.25 HH ZP
8	730310	1	PUMP, AUX
9	731002	1	MOUNT, REVERSE SWITCH
10	731116	2	SCREW, M6-1.00 X 16 BUTTON HD CAP ZP
11	748980	1	HARNESS, SAFETY LT & BACKUP ALARM
12	REFERENCE	1	CHEMICAL PUMP MNT
13	REFERENCE	1	ADJUSTOR, HYDROBACK W/SW MOUNT
14	REFERENCE	1	PUMP ASSEMBLY
15	REFERENCE	1	HYDROBACK MOUNT

## OPTION - PRESSURE WASHER (731457)



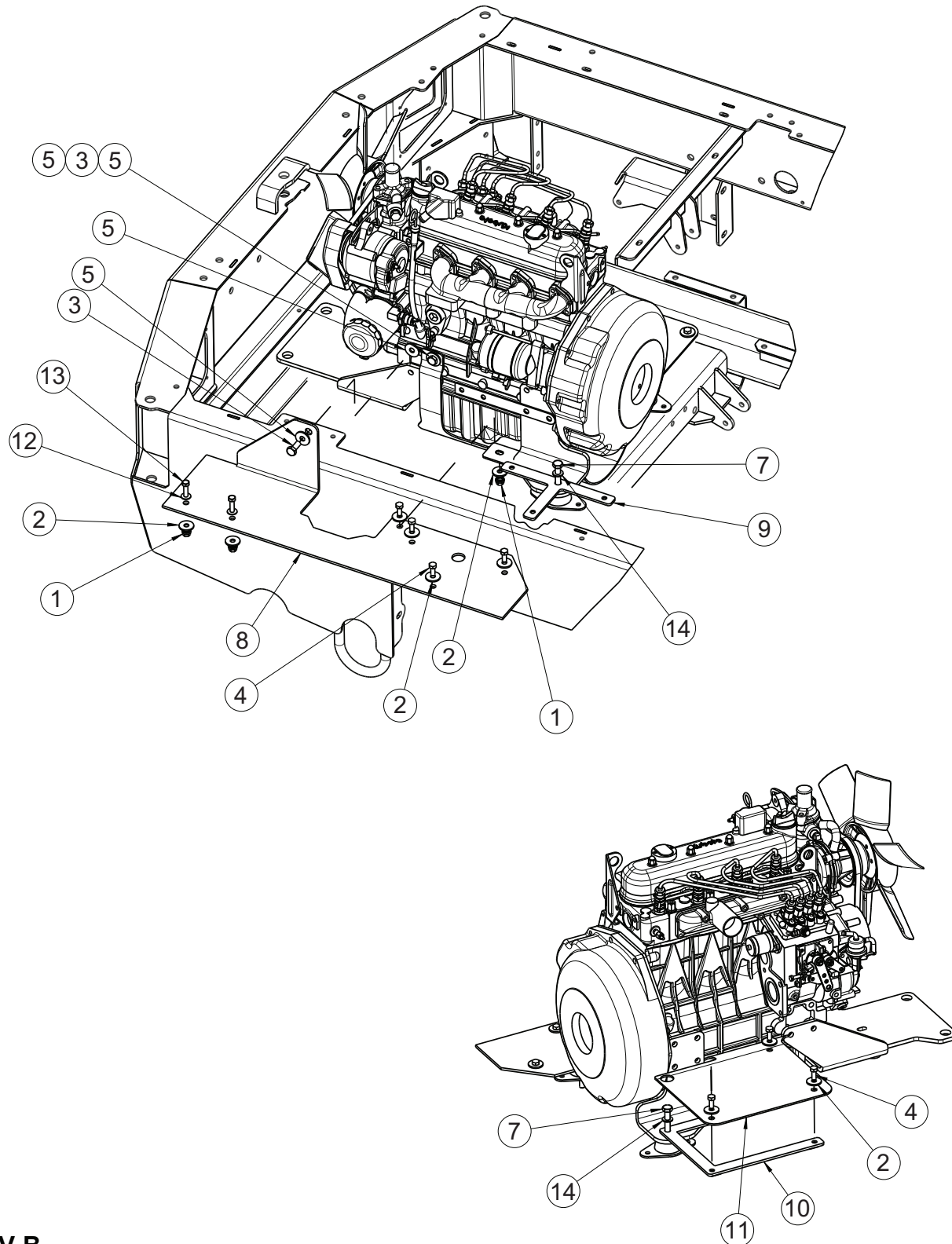
REV A



**OPTION - PRESSURE WASHER (731457)**

<b>Parts List - 731457</b>			
<b>ITEM</b>	<b>PART NO.</b>	<b>QTY</b>	<b>DESCRIPTION</b>
1	731421	1	PUMP, PRESSURE WASHER
2	731440	1	HOSE, PRESSURE WASHER, 50FT
3	731448	1	QUICK DISCONNECT, SOCKET
4	731443	1	QUICK DISCONNECT, PLUG, 6MPT
5	731444	1	TRIGGER GUN
6	731445	1	INSULATED LANCE
7	731446	1	LANCE
8	731447	1	TIP, ADJUSTABLE

## OPTION - DUST SUPPRESSION (731482)

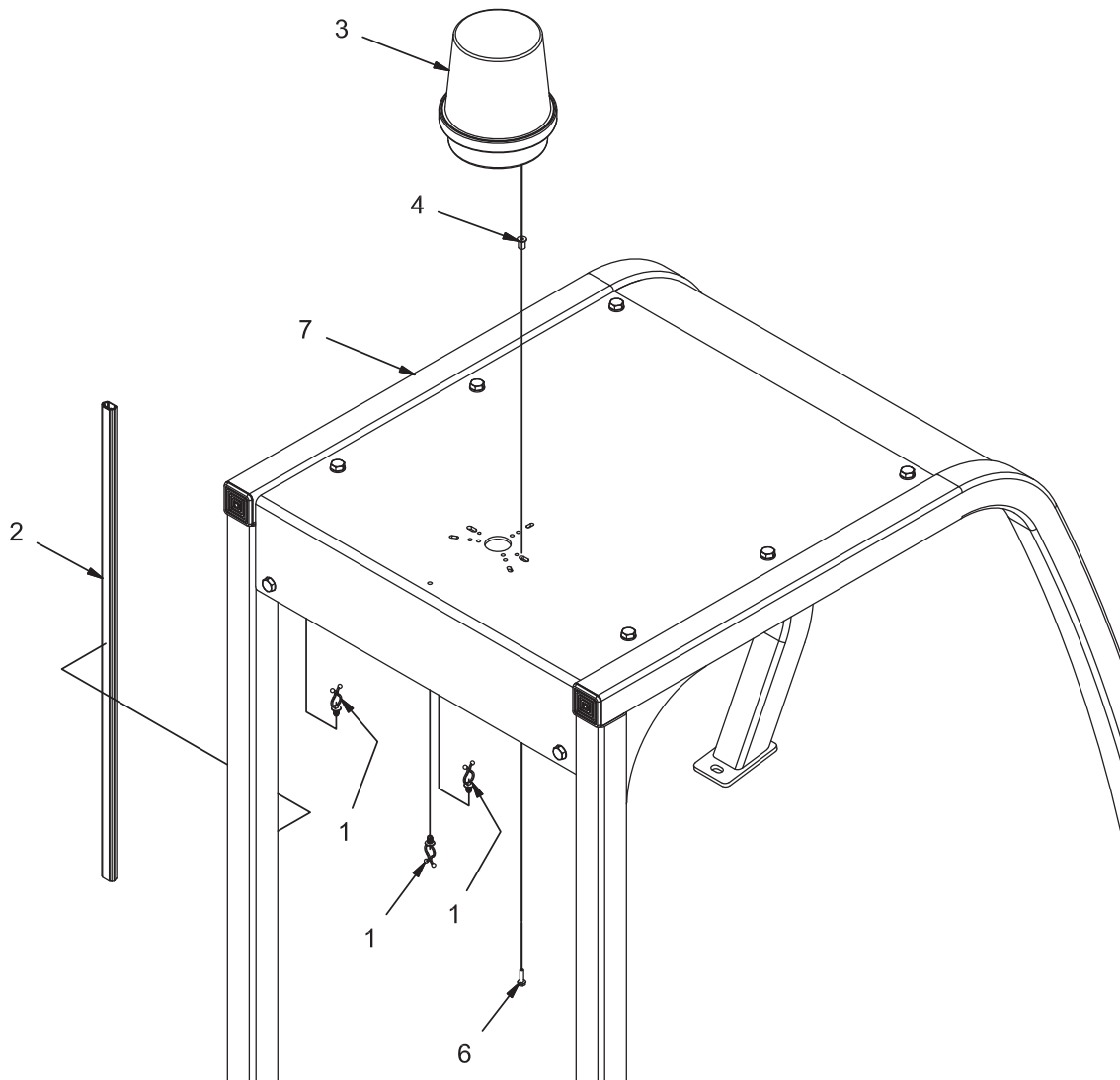


REV B

**OPTION - DUST SUPPRESSION (731482)**

<b>Parts List - 731482</b>			
<b>ITEM</b>	<b>PART NO.</b>	<b>QTY</b>	<b>DESCRIPTION</b>
1	600934	3	NUT-FLANGE WIZZ M8-1.25 ZP
2	600940	10	WASHER-FENDER M8 X 24 ZP
3	620082	2	SCR-HH M10-1.25 X 25 ZP CLASS 8.8
4	717024	7	SCR-HH M8-1.25 X 20 ZP GRADE 8.8
5	717040	4	WASHER-FLAT M10.5 X 30 X 2.5 SS
7	731462	2	SCR-HH M10-1.50 X 75 PARTIAL THRD 8.8 ZP
8	731474	1	FLAP, DUST SUPPRESSION, LH
9	731477	1	MOUNT, DUST SUPPRESSION, LH
10	731480	1	MOUNT, DUST SUPPRESSION, RH
11	731862	1	FLAP, DUST SUPPRESSION, RH & OIL PAN
12	3400384	2	WASHER-CONICAL SPRING 5/16
13	11038254	2	SCR-HH M8-1.25 X 30 ZP CLASS 8.8
14	12310058	2	WASHER-FLAT M10.5 X 20 X 2 ZP

**OPTION - LIGHT GROUPS (ON OVERHEAD GUARD)**



**REV B**

**OPTION - LIGHT GROUPS (ON OVERHEAD GUARD)**

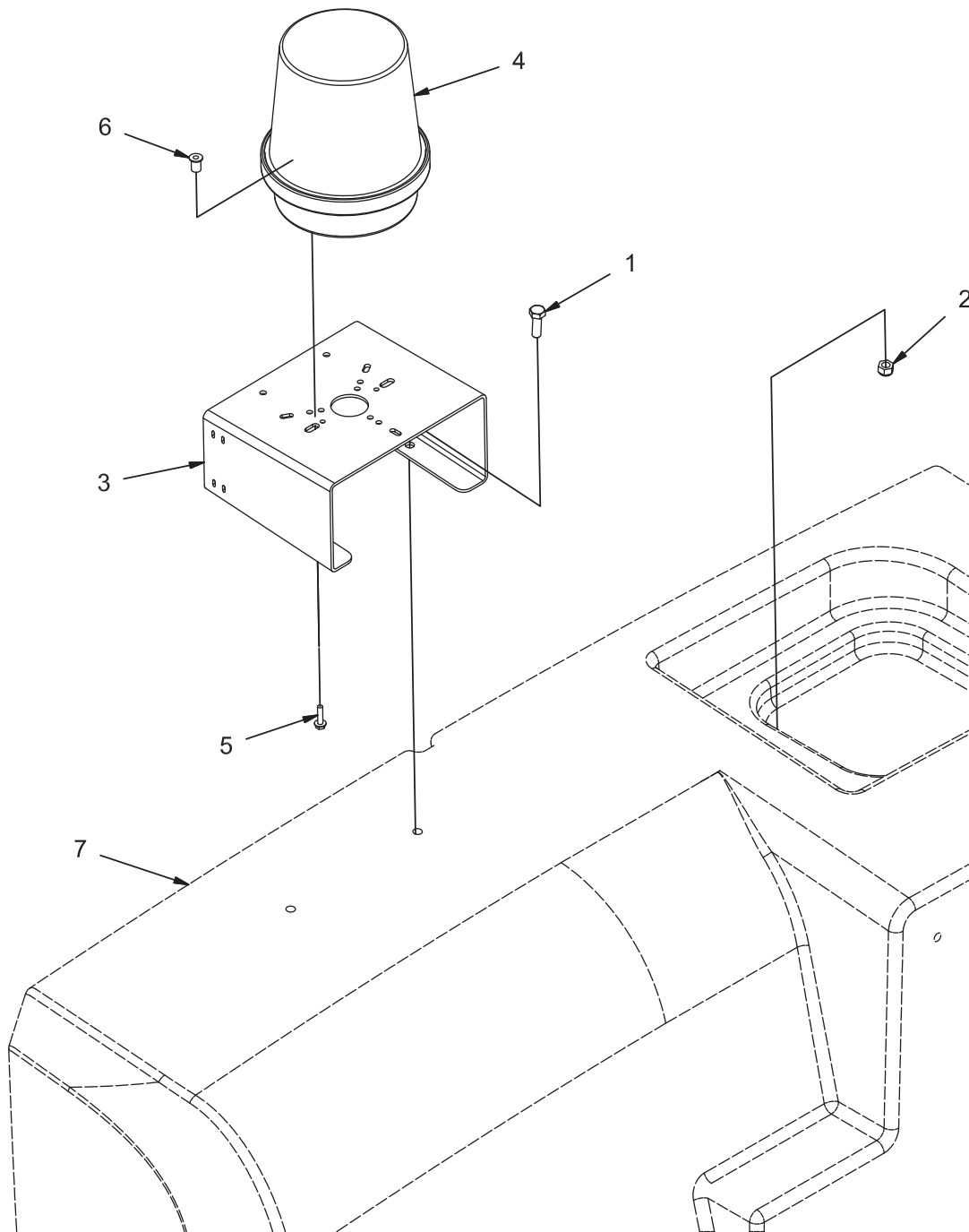
<b>Parts List</b>			
<b>ITEM</b>	<b>PART NO.</b>	<b>QTY</b>	<b>DESCRIPTION</b>
1	600581	3	CLAMP, WIRE CLIP
2	731029	1	WIRE CHANNEL
3	748878	1	ASSEMBLY, BLUE LED LIGHT
	748879		ASSEMBLY, RED LED LIGHT
	620073-1		ASSEMBLY, AMBER LED LIGHT
4	711350	3	NUT-JAM 10-32 ZP NYLOC
6	3400044	3	SCR-HH 10-32 X .75 ZP SERR FLANGE
7	REFERENCE	1	OVERHEAD GUARD
	748871	1	HARNESS, SAFETY LIGHT, OHG

**730186 BLUE**

**730187 RED**

**730189 AMBER**

## OPTION - LIGHT GROUPS (ON SOLUTION TANK)



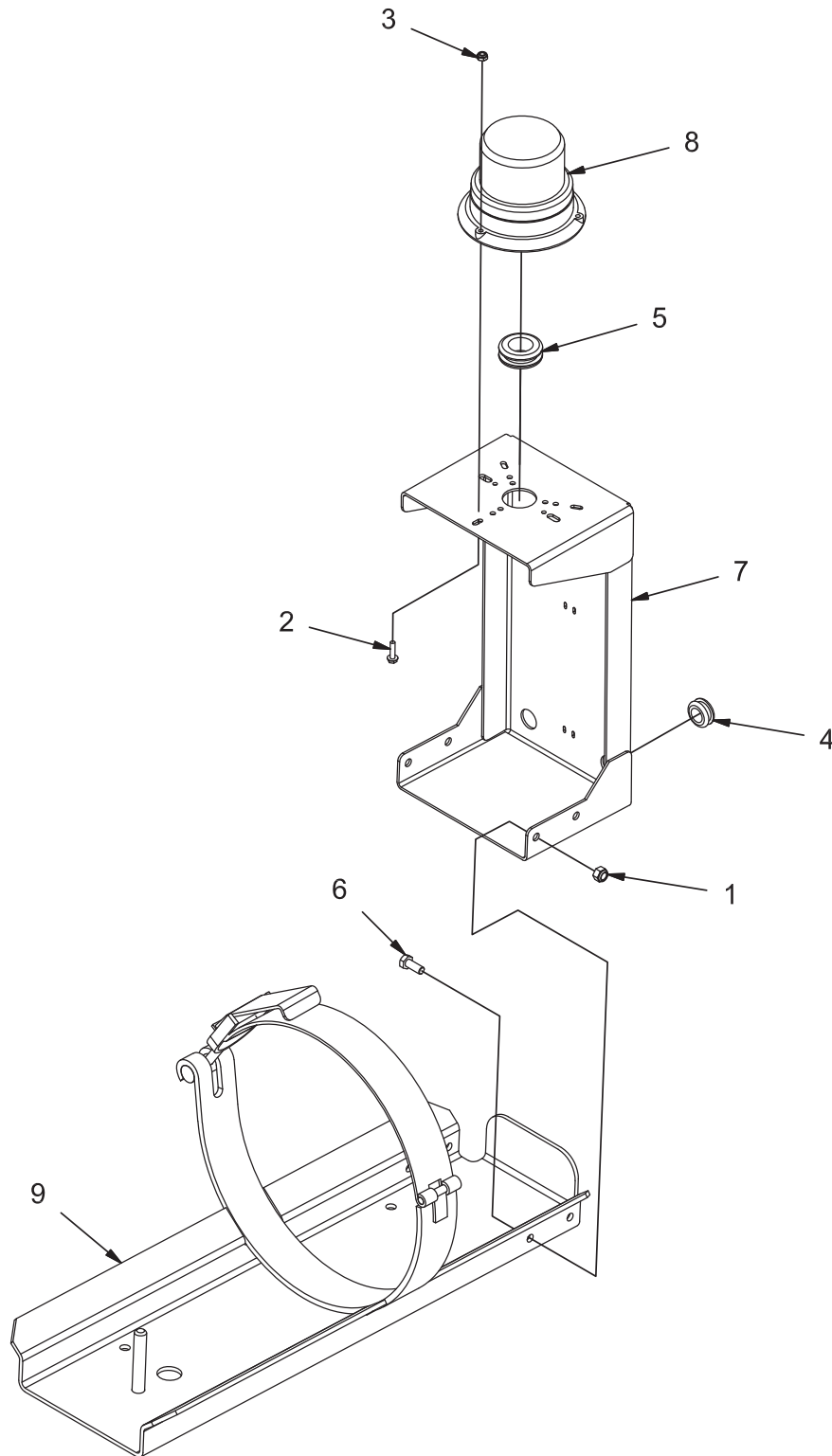
REV A

**OPTION - LIGHT GROUPS (ON SOLUTION TANK)**

<b>Parts List</b>			
<b>ITEM</b>	<b>PART NO.</b>	<b>QTY</b>	<b>DESCRIPTION</b>
1	11039567	2	SCR-HH M8-1.25 X 25 SS
2	12040259	2	NUT-NYLOC M8 X 1.25 SS
3	731030	1	MOUNT, SAFETY LIGHTS
4	748878	1	LIGHT ASSEMBLY, LED BEACON, BLUE
	748879		LIGHT ASSEMBLY, LED BEACON, RED
	620073-1		LIGHT ASSEMBLY, LED BEACON, AMBER
5	3400044	2	SCR-HH 10-32 X .75 ZP SERR FLANGE
6	711350	2	NUT-JAM 10-32 ZP NYLOC
7	REFERENCE	1	SOLUTION TANK
	748980	1	HARNESS, SAFETY LIGHT & BACKUP ALARM

**730186-4      BLUE**  
**730187-4      RED**  
**730189-4      AMBER**

**OPTION - LIGHT GROUPS WHEN CHEMICAL METERING AND  
RESERVE LPG TANK INSTALLED**



**REV A**



**OPTION - LIGHT GROUPS WHEN CHEMICAL METERING AND  
RESERVE LPG TANK INSTALLED**

<b>Parts List</b>			
<b>ITEM</b>	<b>PART NO.</b>	<b>QTY</b>	<b>DESCRIPTION</b>
1	12040051	4	NUT, M8-1.25 ESN
2	3400044	3	SCR-HEX,#10-32 X 0.75 ZP
3	711350	3	NUT, 10-32 ESN
4	600151	1	GROMMET, .63 ID .88 OD .25 T
5	620160	1	GROMMET, 1.00 ID .1.375 OD .25 T
6	717024	4	BOLT, M8-1.25 X 20 HH
7	731115-1	1	WELDMENT, SAFETY LIGHT MNT
8	748879	1	ASSEMBLY, BLUE LED LIGHT
	748879		ASSEMBLY, RED LED LIGHT
	620073-1		ASSEMBLY, AMBER LED LIGHT
9	REFERENCE	1	OPTIONAL RESERVE LPT OUNT 730160
	748980	1	HARNESS, SAFETY LIGHT & BACKUP ALARM

**730186-5      BLUE**  
**730187-5      RED**  
**730189-5      AMBER**

MISCELLANEOUS ADDITIONAL OPTIONS

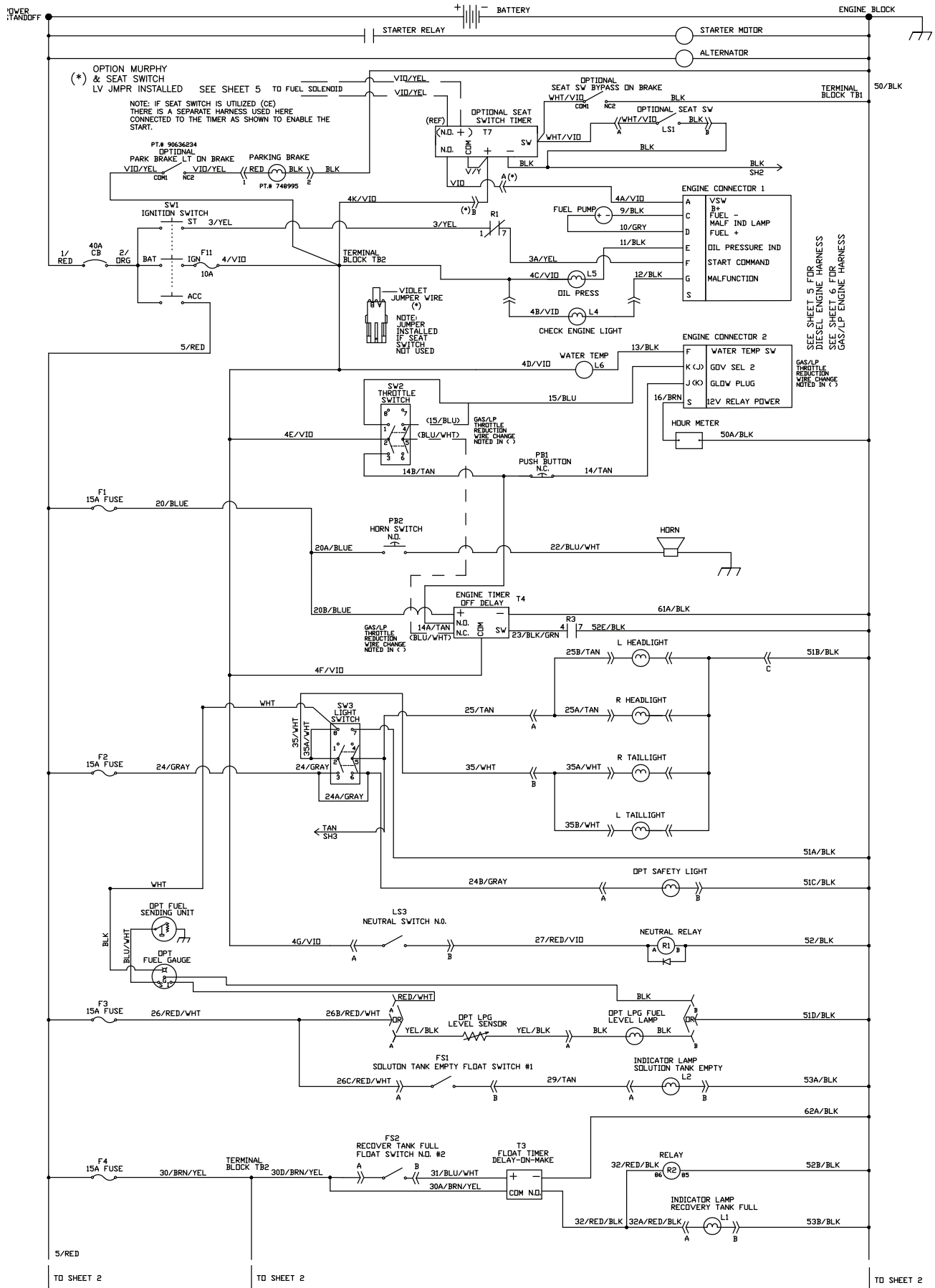
730019	OPT - SOFTSIDE CAB ( <i>REPLACEMENT SNAPS 3400412</i> )
730045	OPT - PARKING BRAKE
730046	OPT - LH SIDE MOUNT
730062	OPT - ENGINE SHUTDOWN, DSL
730165	OPT - NON MARKING TIRES, NAUTILUS & HD
731467	OPT - NOISE REDUCTION
730123-HF	OPT - HIGH FLOW SOLUTION CONTROL



# LAYOUTS - ELECTRICAL/HYDRAULIC

## ELECTRICAL SCHEMATIC LAYOUT

748992-1 REV J

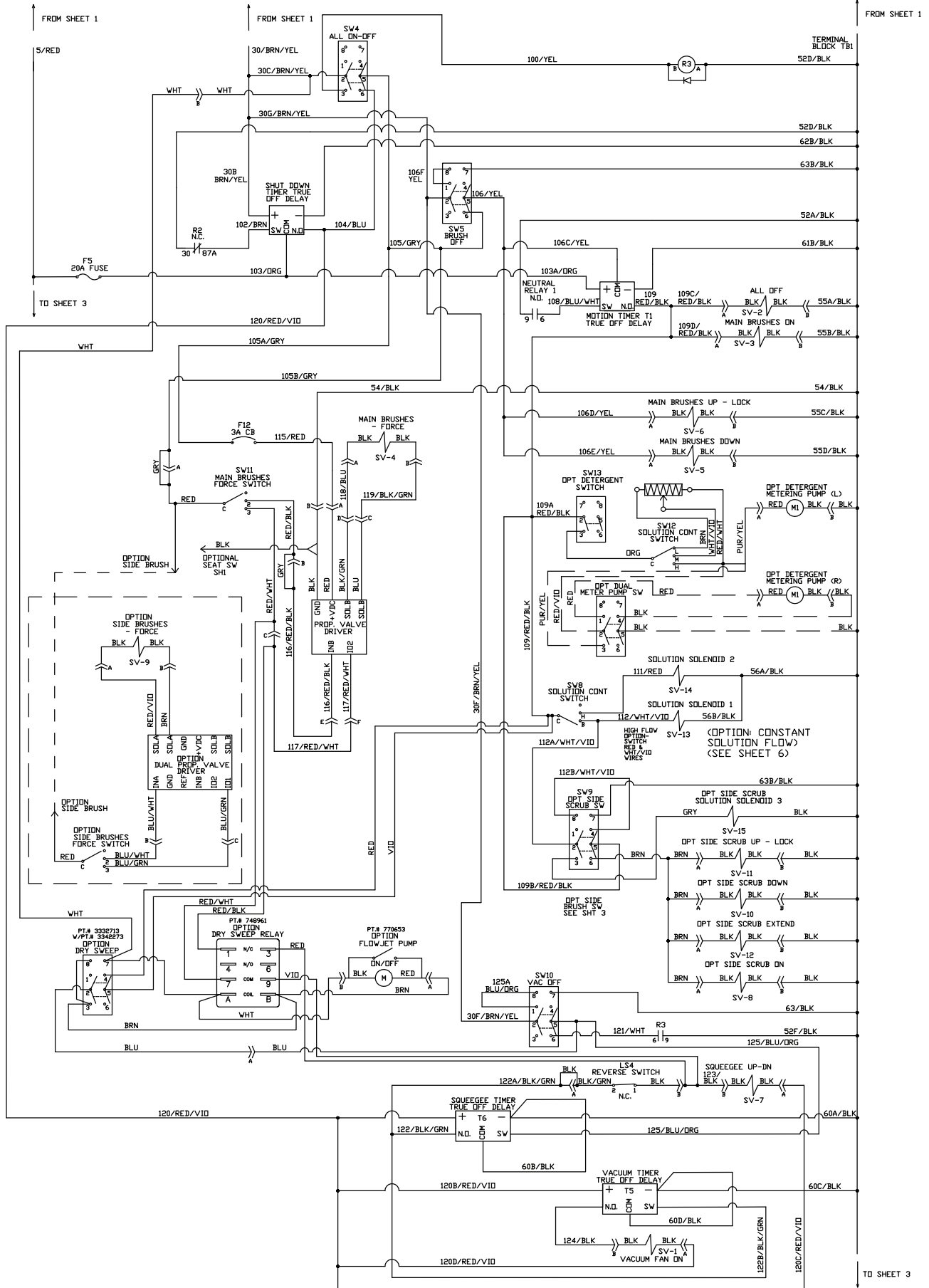


TO SHEET 2

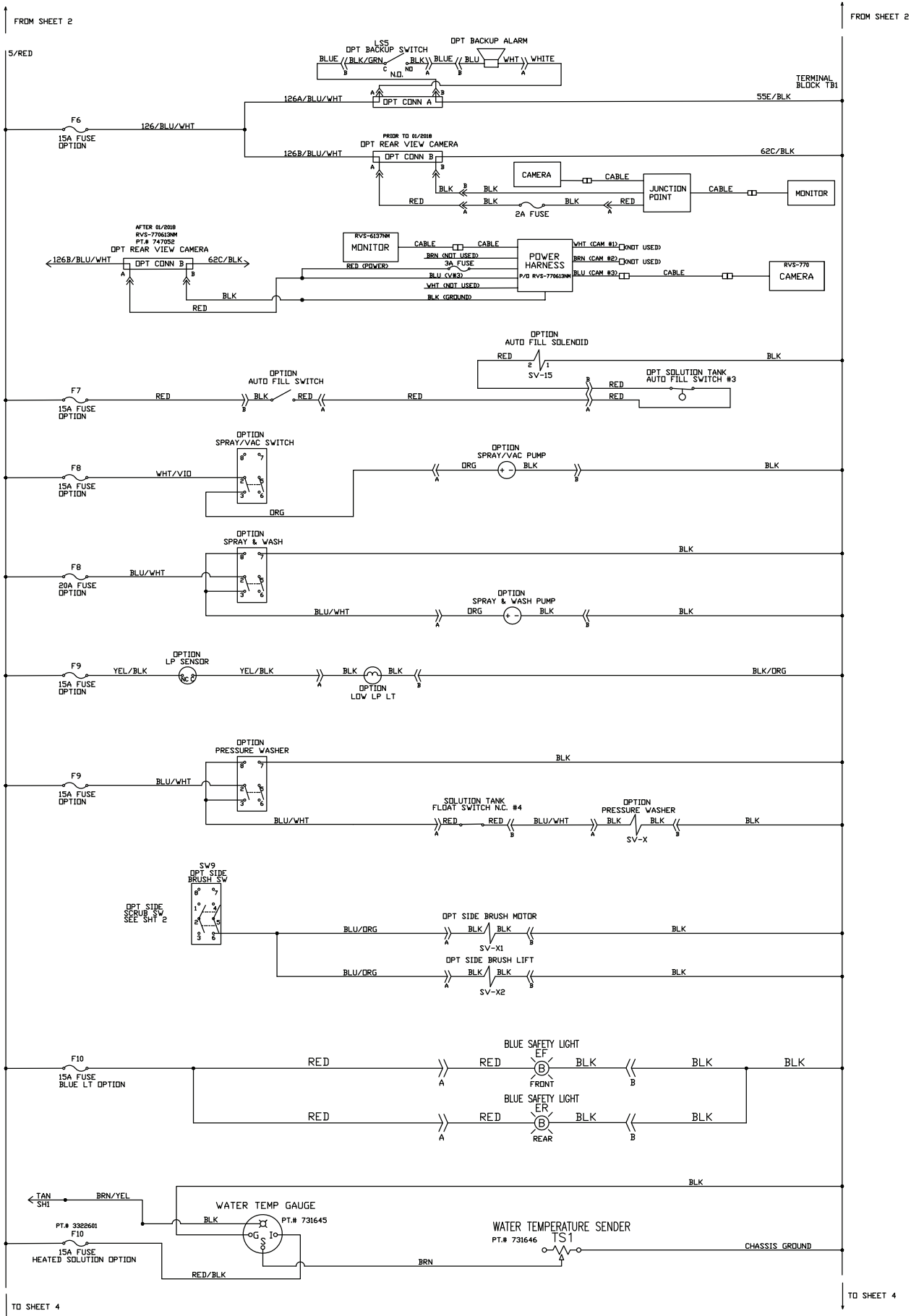
TO SHEET 2

TO SHEET 2

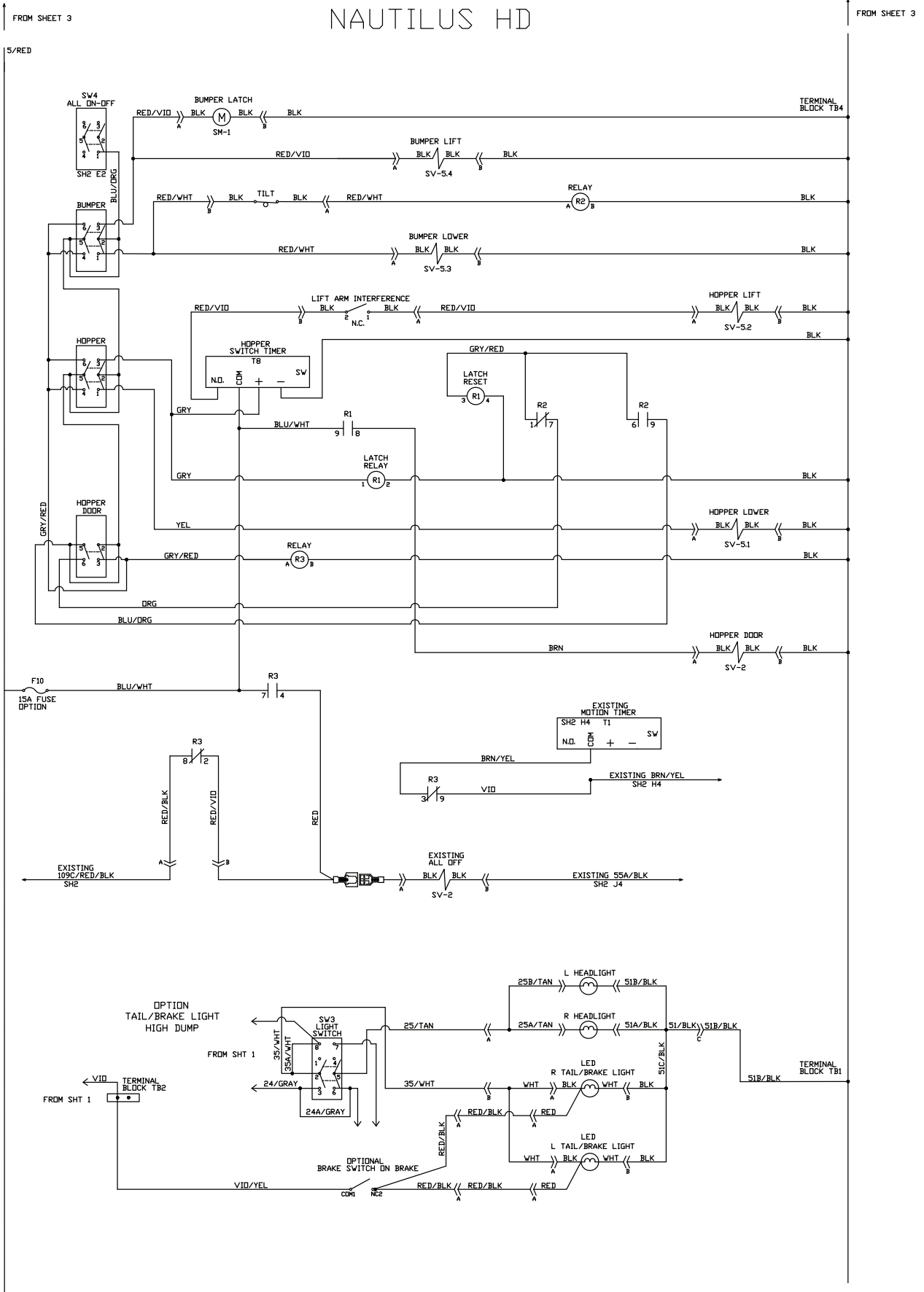
# ELECTRICAL SCHEMATIC LAYOUT



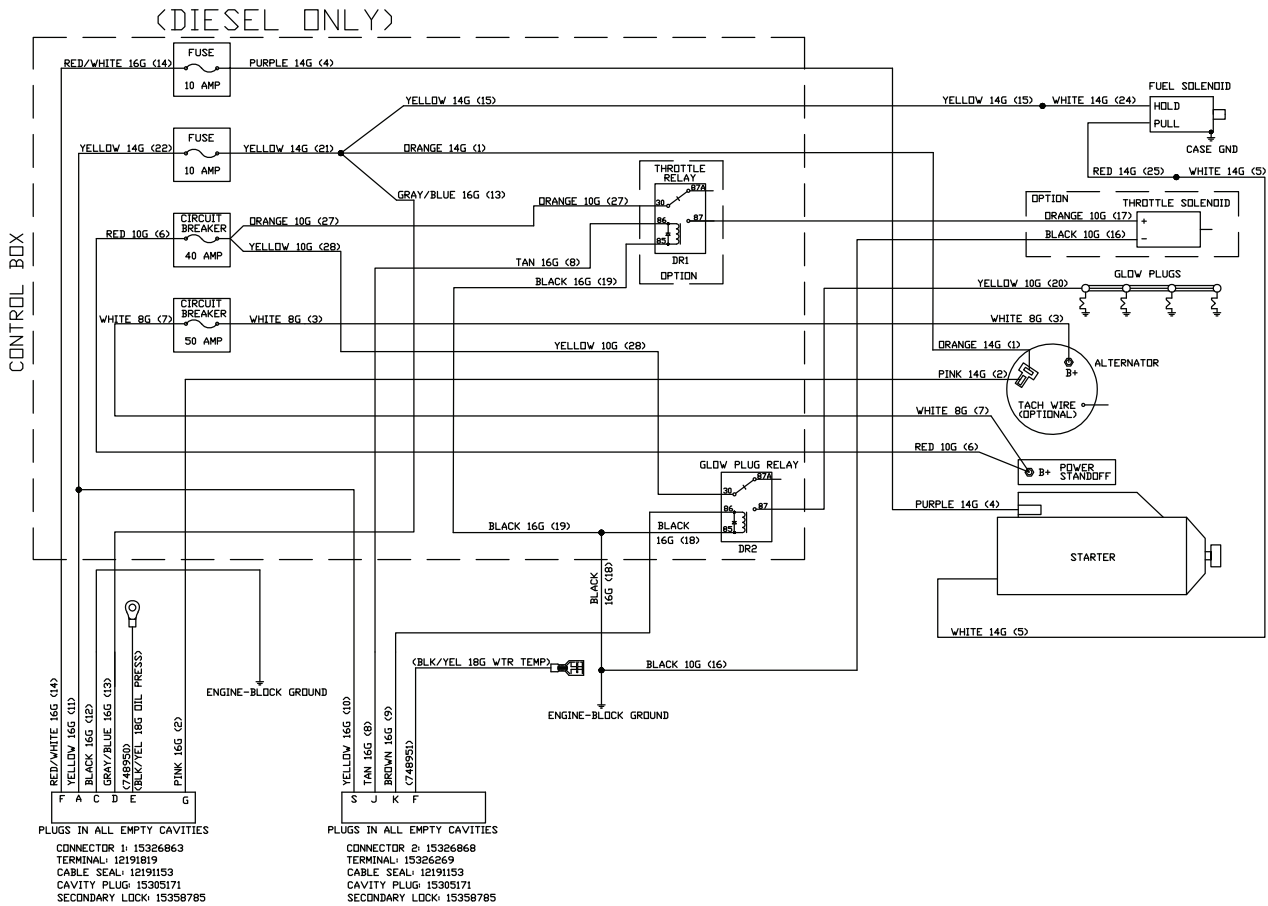
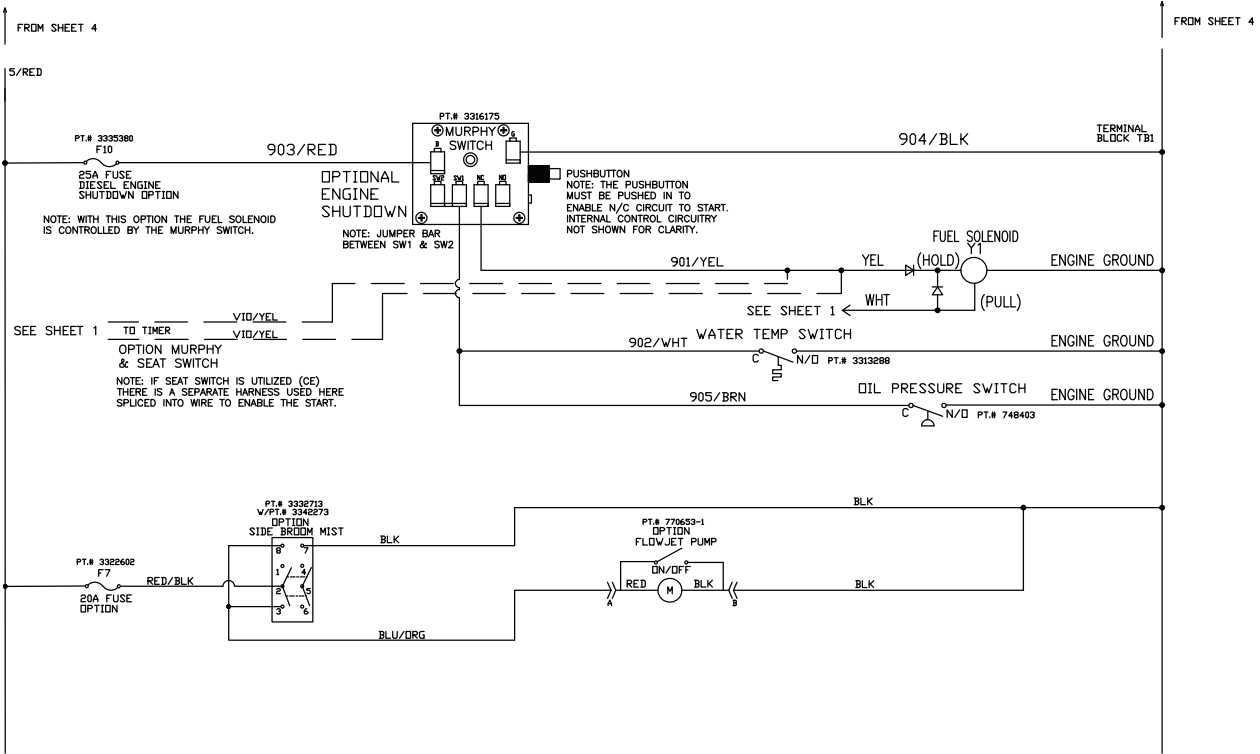
# ELECTRICAL SCHEMATIC LAYOUT



# ELECTRICAL SCHEMATIC LAYOUT



# ELECTRICAL SCHEMATIC LAYOUT

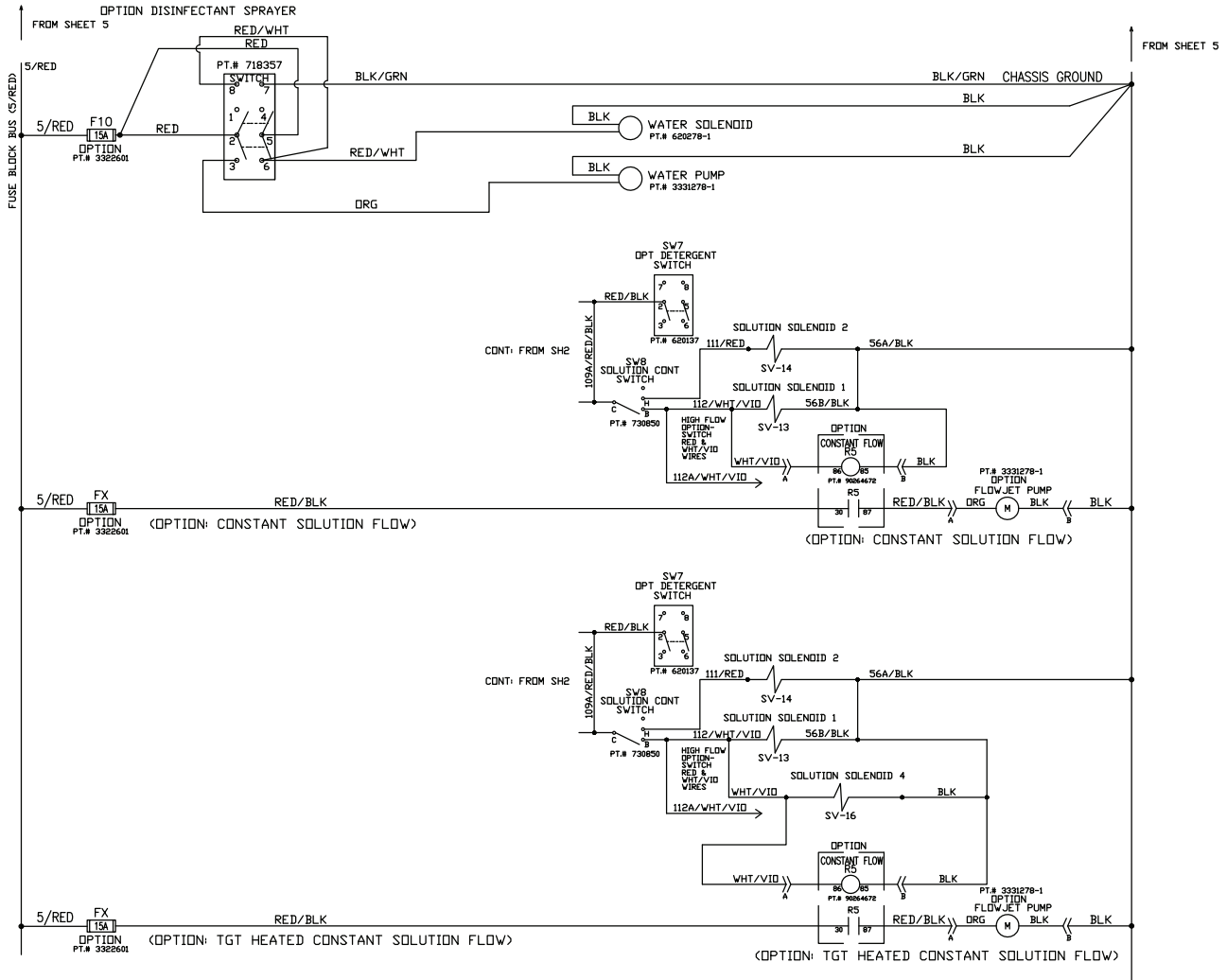


SEE SHEET 1

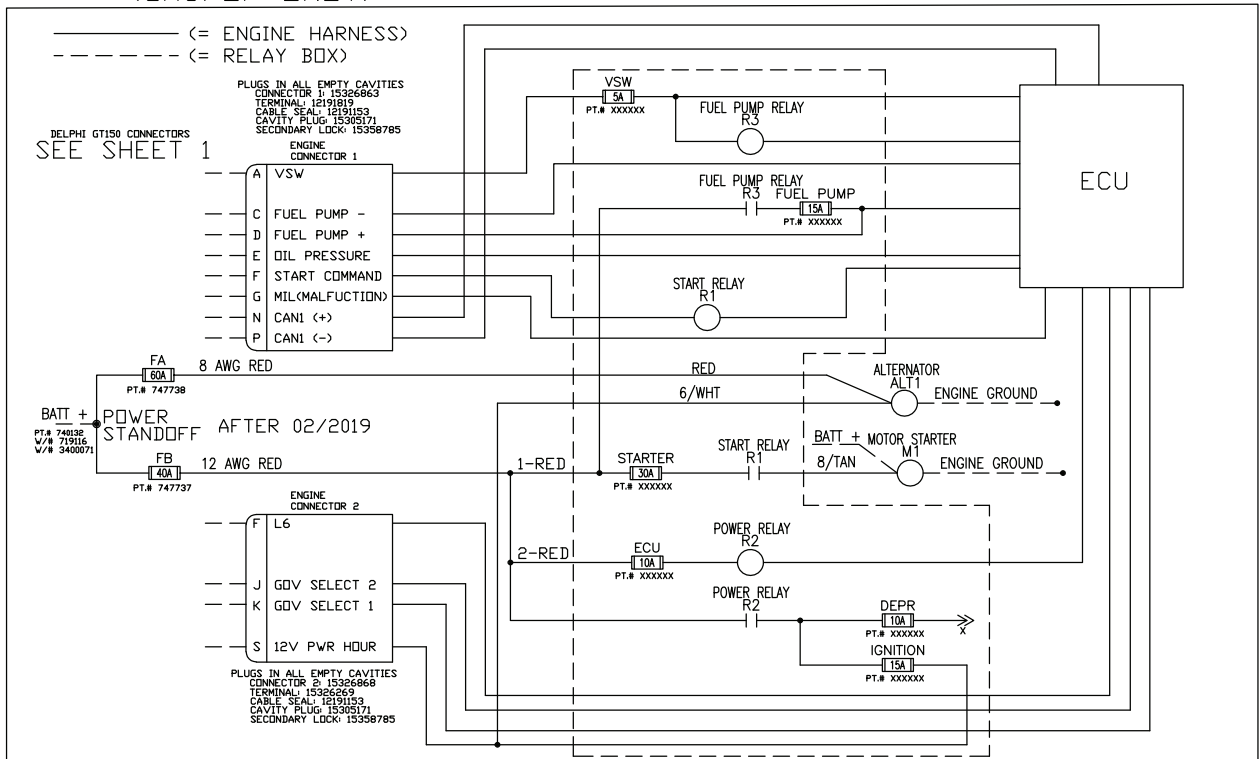
DELPHI GT150 CONNECTORS



# ELECTRICAL SCHEMATIC LAYOUT

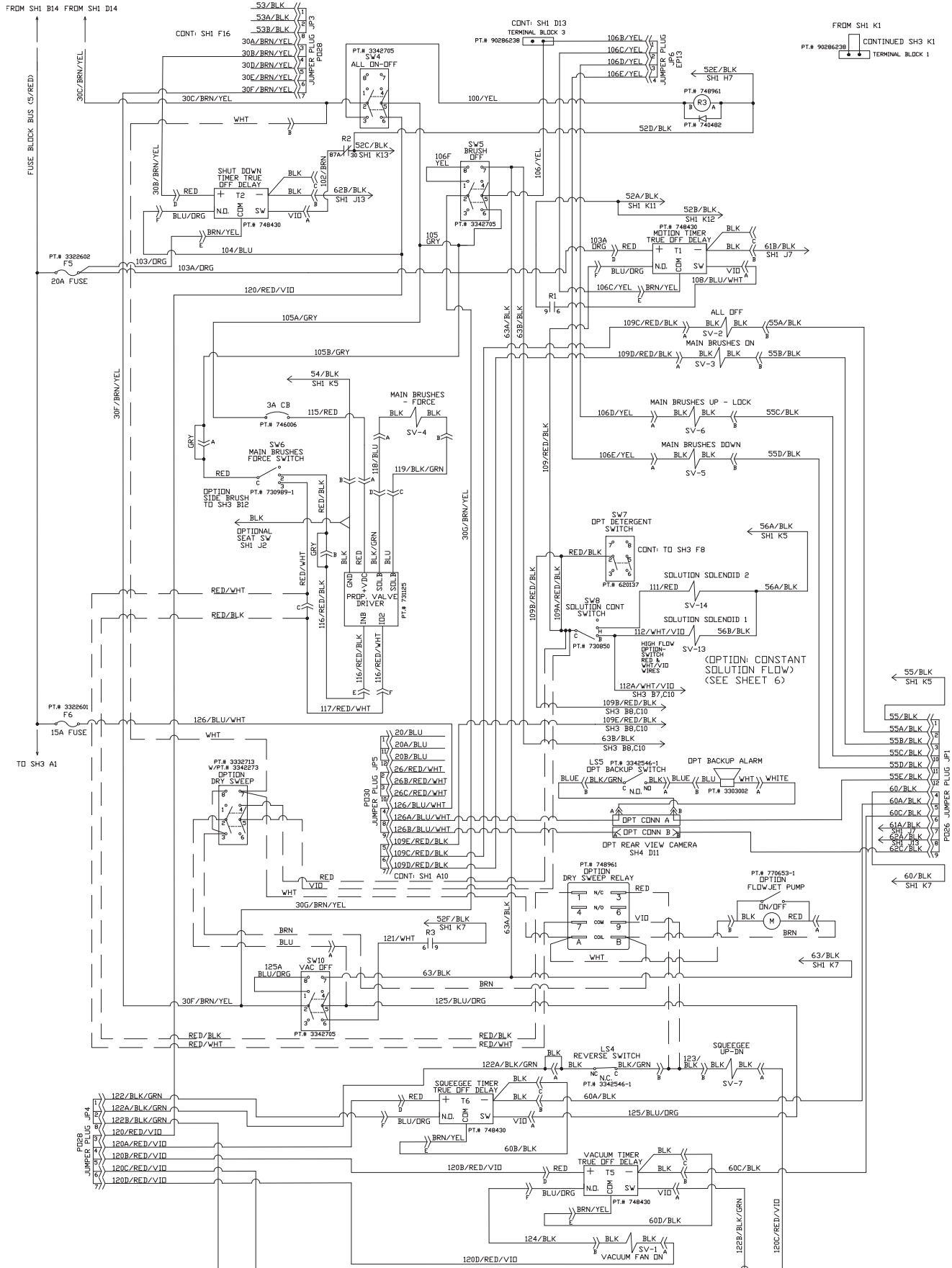


(GAS/LP ONLY)

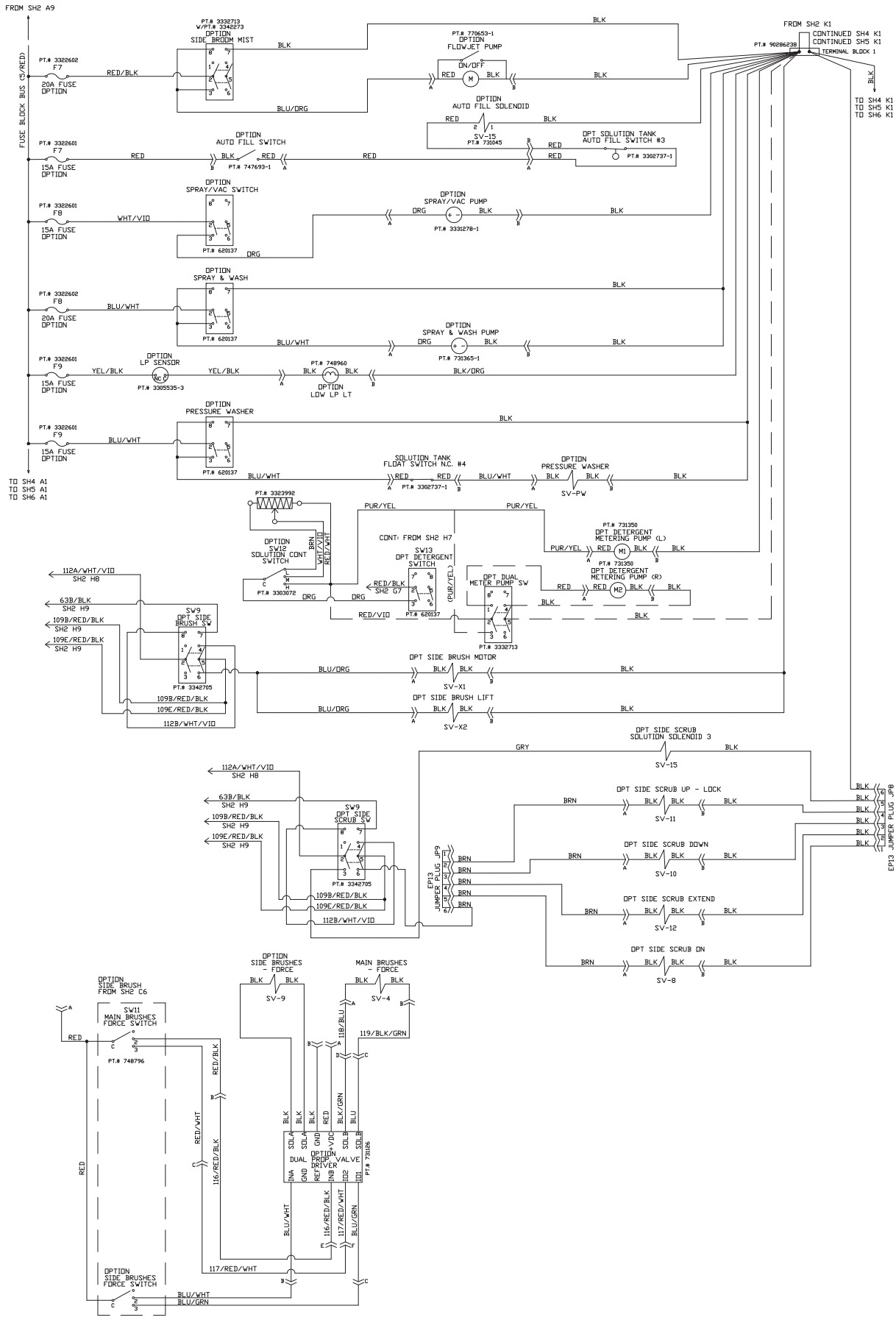




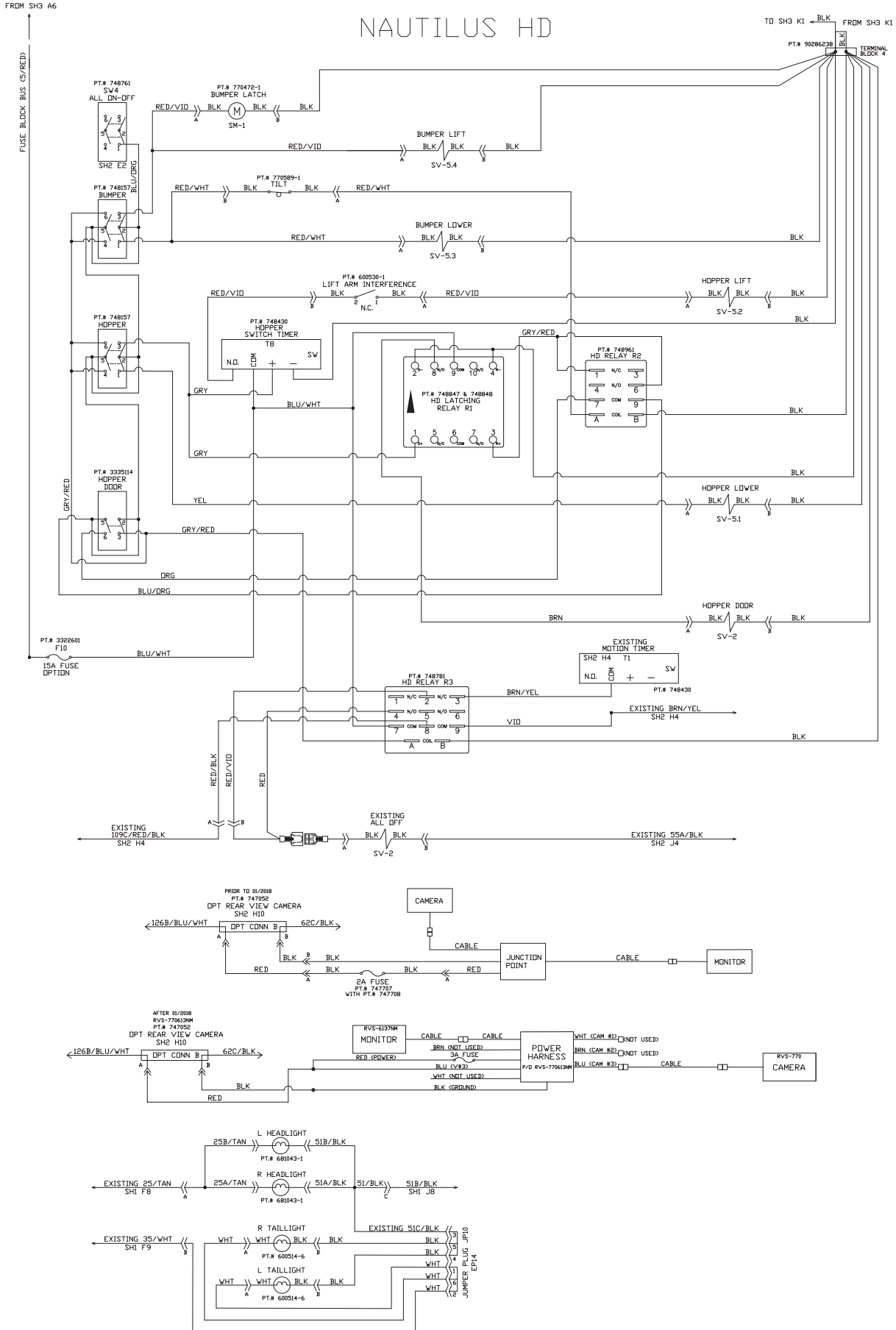
# ELECTRICAL SCHEMATIC LAYOUT (POINT TO POINT WIRING)



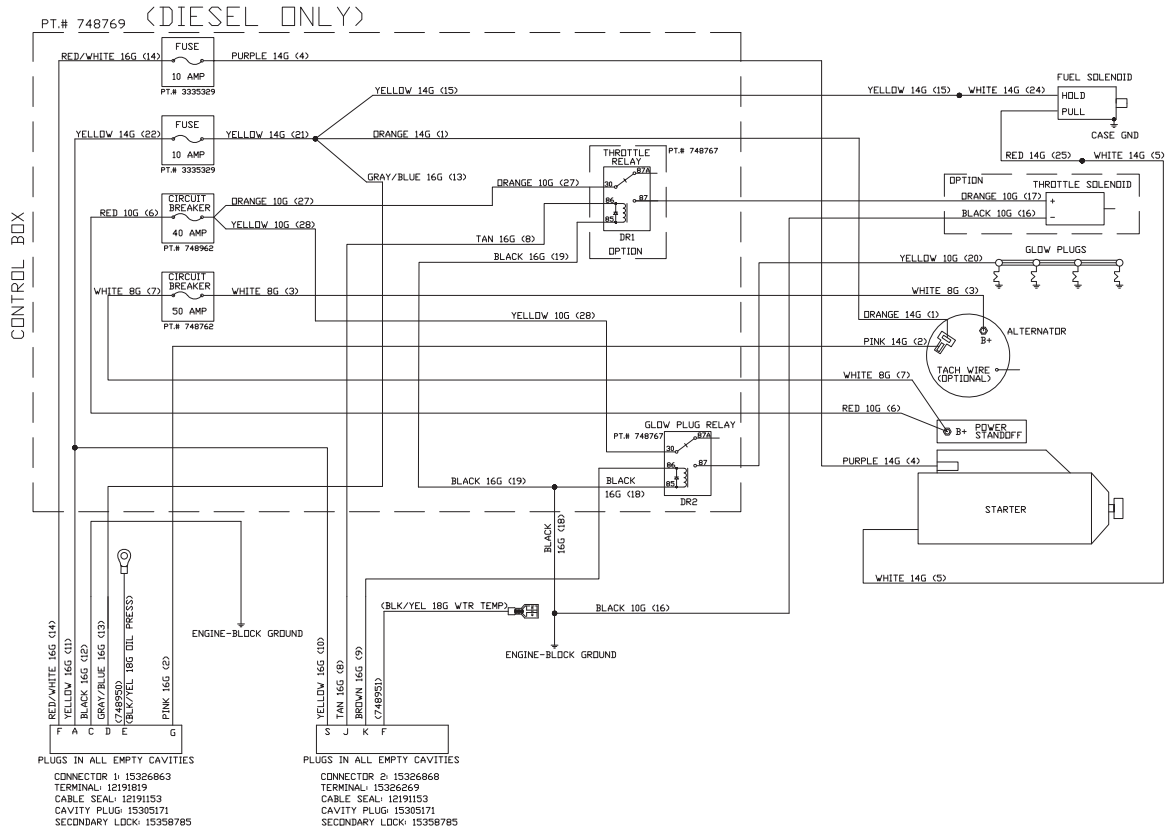
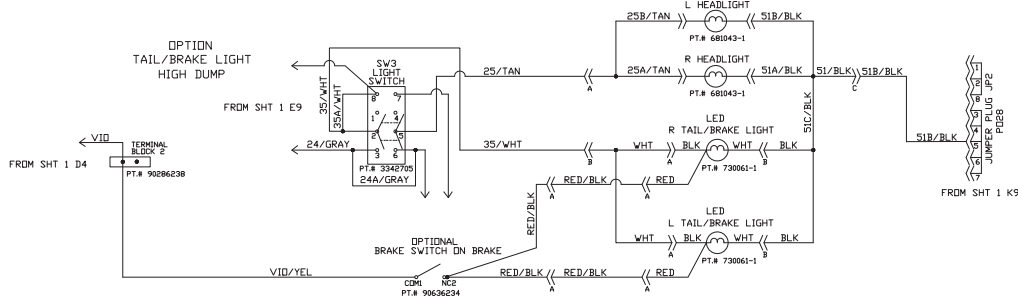
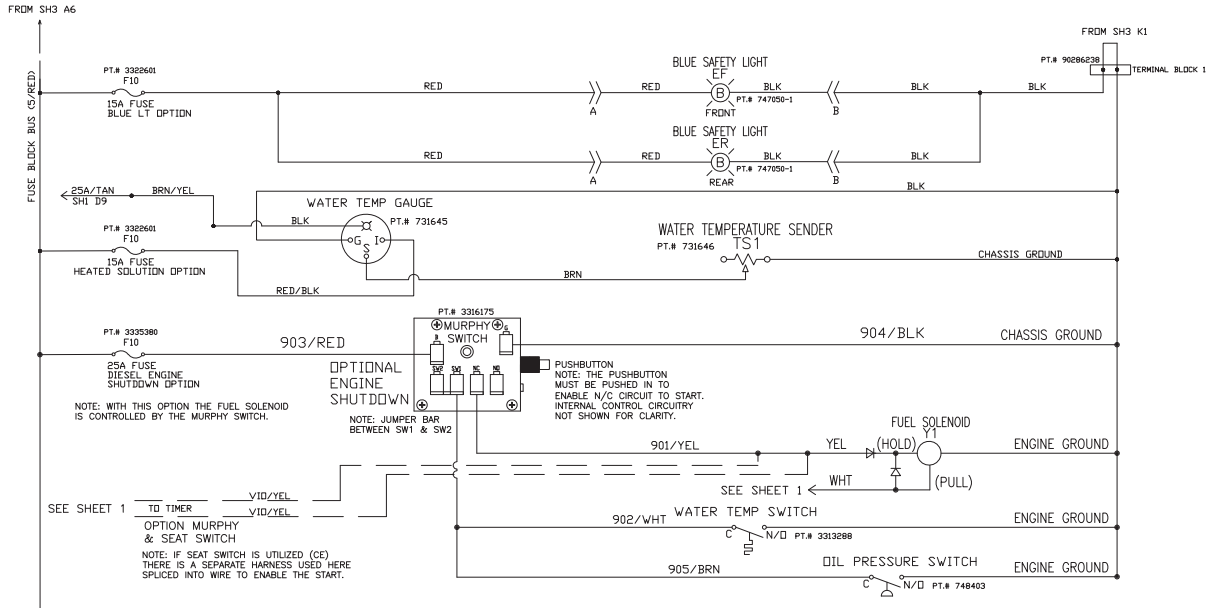
# ELECTRICAL SCHEMATIC LAYOUT (POINT TO POINT WIRING)



# ELECTRICAL SCHEMATIC LAYOUT (POINT TO POINT WIRING)

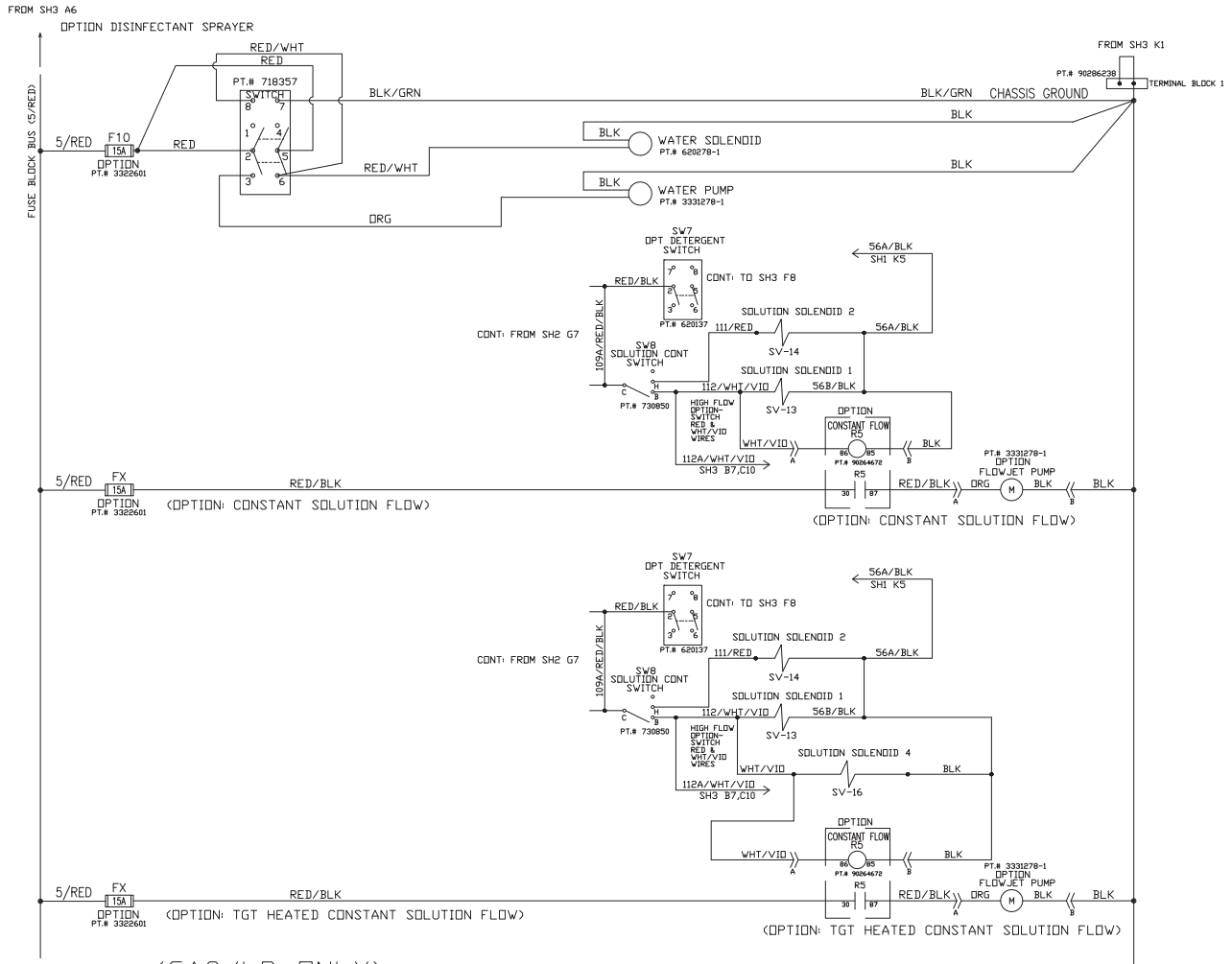


# ELECTRICAL SCHEMATIC LAYOUT (POINT TO POINT WIRING)

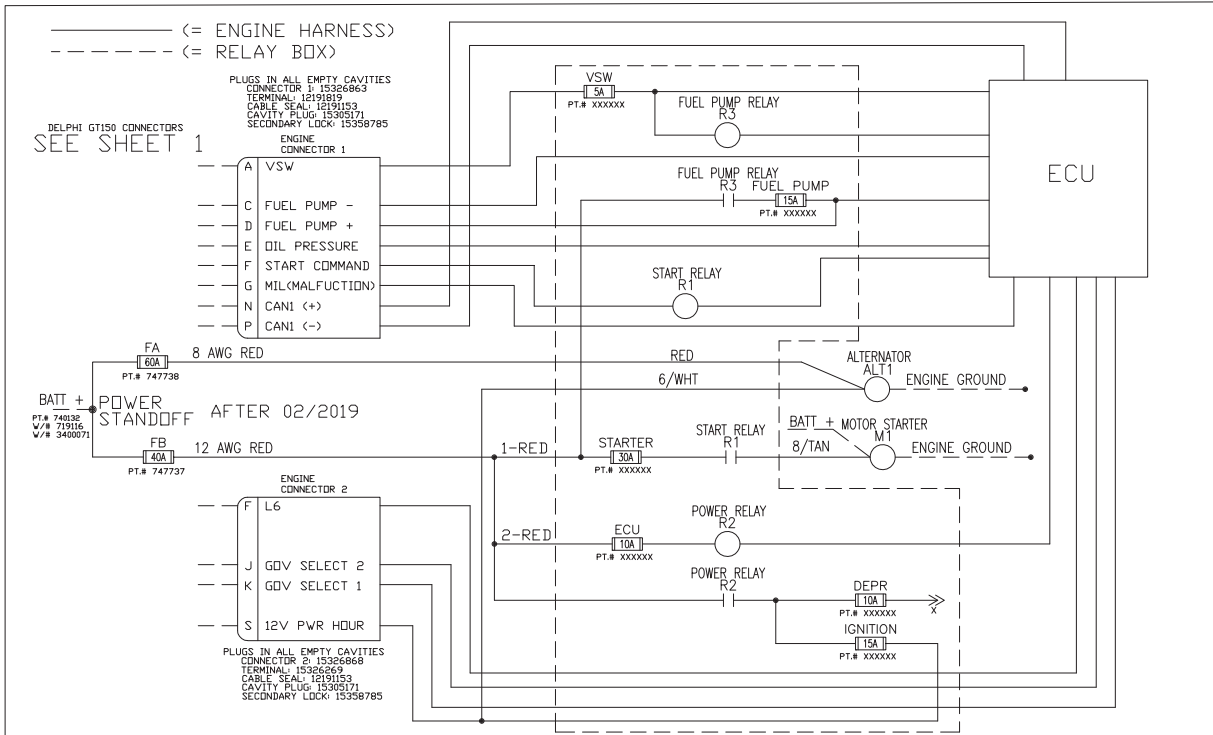


DELPHI GT150 CONNECTORS  
 SEE SHEET 1

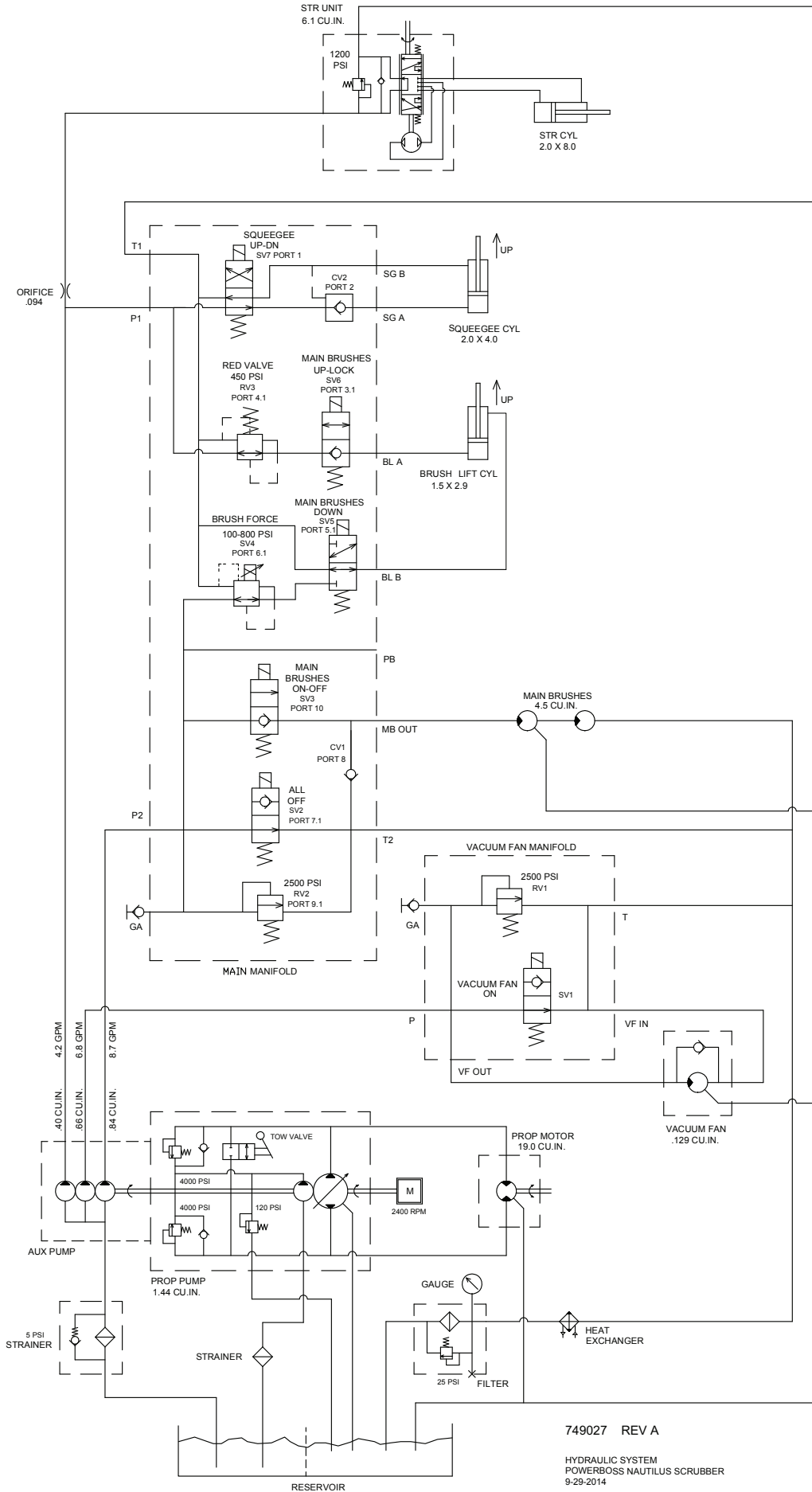
# ELECTRICAL SCHEMATIC LAYOUT (POINT TO POINT WIRING)



(GAS/LP ONLY)



# HYDRAULIC SYSTEM LAYOUT

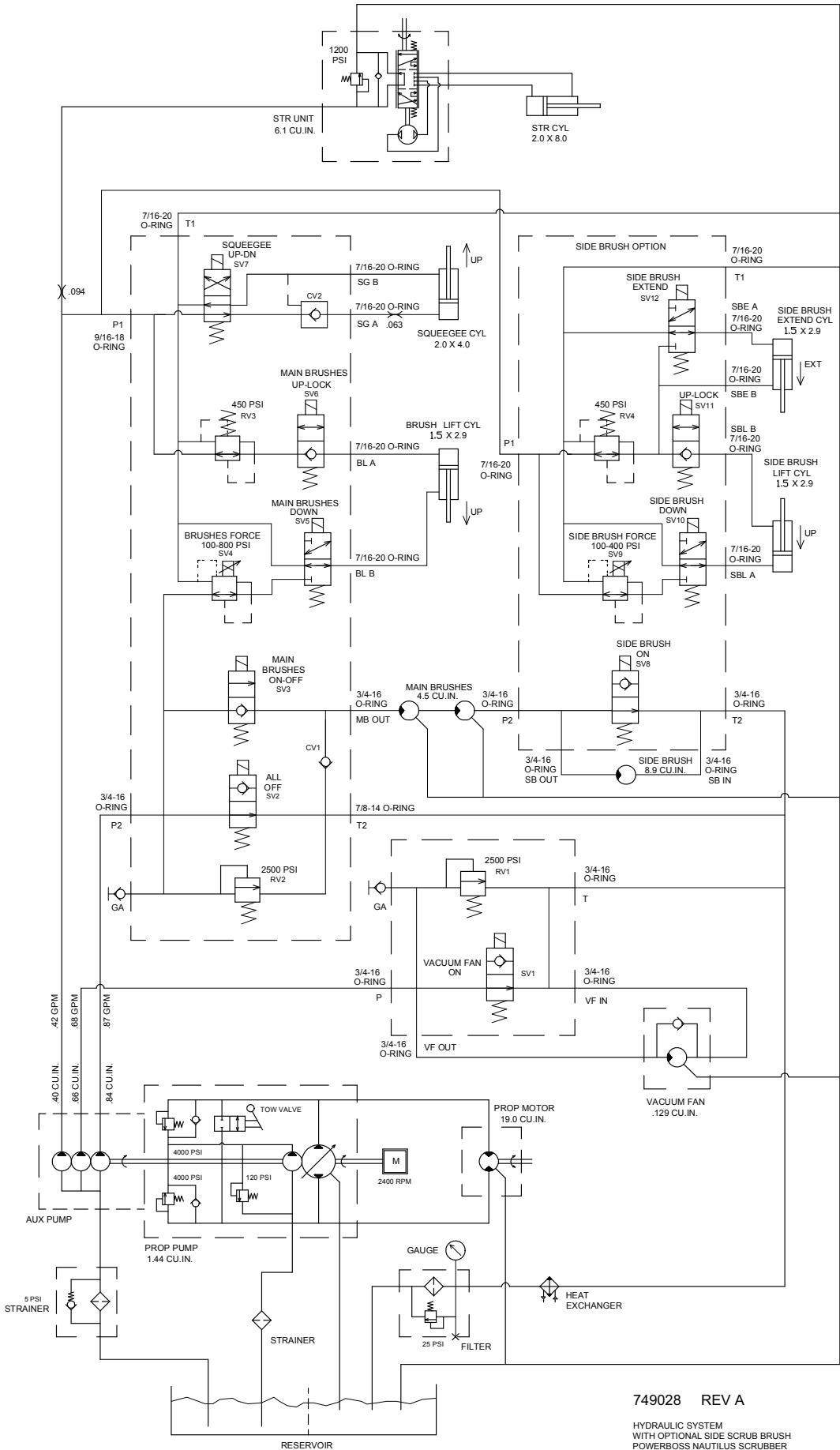


749027 REV A

HYDRAULIC SYSTEM  
POWERBOSS NAUTILUS SCRUBBER  
9-29-2014



# HYDRAULIC SYSTEM LAYOUT WITH OPTIONAL SIDE SCRUB BRUSH



749028 REV A

HYDRAULIC SYSTEM  
WITH OPTIONAL SIDE SCRUB BRUSH  
POWERBOSS NAUTILUS SCRUBBER  
5-22-2014

## TIMER DIP-SWITCH SETTINGS

**MOTION T1**

**SHUT DOWN T2**

**FLOAT T3**

**ENGINE T4**

**VAC T5**

**SQUEEGEE T6**

**PROP VALVE DRIVER SINGLE SOLENOID**

DRIVER  
PT# 731125

SETTINGS:  
P1 TD 1.75  
P2 TD 1.95  
P3 TD 2.18  
P4 TD 0.00  
UP TD 00.5  
DN TD 00.5  
DF TD 60  
SAVE:  
TURN LEFT  
KNOB 1 TURN

**PROP VALVE DRIVER DOUBLE SOLENOID**

DRIVER  
PT# 731126

SETTINGS:  
BP1 TD 1.75  
BP2 TD 1.95  
BP3 TD 2.18  
BP4 TD 0.00  
AP1 TD 1.6  
AP2 TD 1.7  
AP3 TD 1.85  
AP4 TD 0.00  
ADN TD 00.5  
BUP TD 00.5  
BDN TD 00.5  
DF TD 60  
SAVE:  
TURN LEFT  
KNOB 1 TURN

**TIMER PLATE SETTINGS**

CE SEAT SWITCH T7 HIGH DUMP - HOPPER T8

**TIMER**  
PT# 748430

**NAUTILUS & HIGH DUMP - TIMERS & DRIVERS**

CONFIDENTIAL

THIS DRAWING AND ALL INFORMATION CONTAINED THEREIN ARE THE EXCLUSIVE PROPERTY OF MINUTEMAN INTERNATIONAL, INC. THIS DRAWING IS NOT TO BE COPIED OR OTHERWISE REPRODUCED WITHOUT EXPRESSED WRITTEN PERMISSION OF MINUTEMAN INTERNATIONAL, INC. IN NO EVENT SHALL THIS INFORMATION BE RETURNED UPON REQUEST. FURTHER, ALL INFORMATION CONTAINED HEREIN MUST BE MAINTAINED CONFIDENTIAL.

TITLE: TIMER DIP-SWITCH SETTINGS		SCALE: NTS
MATERIAL: N/A	FINISH: N/A	
TOLERANCES (UNLESS OTHERWISE SPECIFIED) REMOVE BURRS AND BREAK SHARP EDGES .005/.020		
0-1" ± 1/16	.000 ± .005	DATE 12/05/13
>1-12" ± 1/4"	.00 ± .010	DRAWN BY MB
<12" ± 1/2"	ANGLES ± 30'	CHECKED BY JWP
DATE 01/15/14		REV C

14845 U.S. ROUTE 20  
MORRISVILLE, NC 27560  
P.N. 731224-R

REV C



**PowerBoss®**  
The Power of Clean

## *'The Power of Clean'*

**PowerBoss® is a Full Line Manufacturer of Sweepers and Scrubbers,  
for Industrial Facilities.**

PowerBoss®, Minuteman International, Inc. 14N845 U.S. Route 20 Pingree Grove, Illinois 60140  
Phone: 800-323-9420 [www.PowerBoss.com](http://www.PowerBoss.com) Email: [tech@powerboss.com](mailto:tech@powerboss.com)  
**A Member of the Hako Group**